

Product Specification

Height: 2150mm xDepth: 900mm xWidth: 900mm

Minimum pressure requirement: of 1.5 bar

Door Opening Size: 480mm

Thermostatic valve with diverter

Multi Mode Handshower

Acrylic shower tray with waste and adjustable feet

Computer control panel with radio, ventilation and light

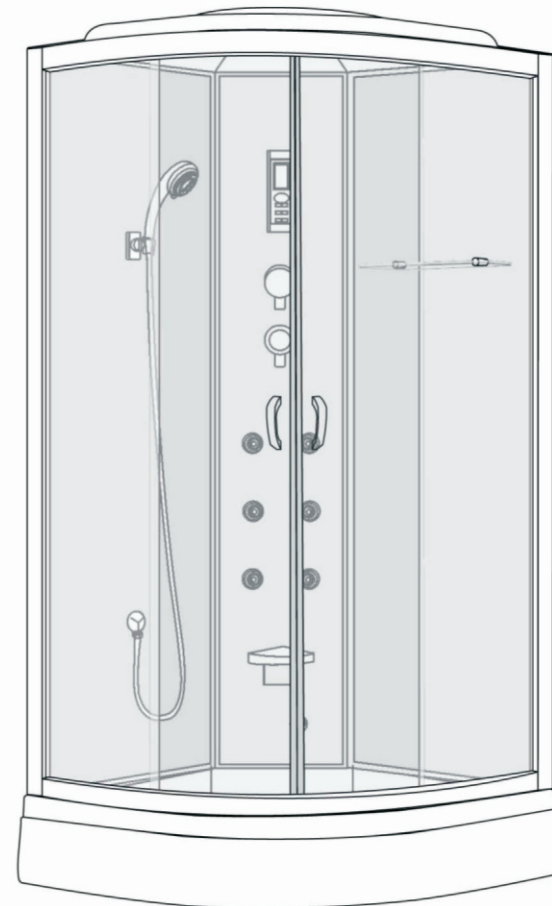
2800W Steam Generator

Cleaning

The product should be cleaned using a soft damp cloth, no abrasive agents or materials must be used, or this will invalidate your guarantee.

Telephone
0333 777 4777

900 Quadrant Steam Shower Cabin



Please retain this manual after installation for future reference and maintenance.

Product must be installed in compliance with relevant water bylaws
Important : 2-3 person installation

• Safety Tips:

- 1.AC Power Supply of 220V+10% 50Hz; exclusive loop; exclusive and fixed all-time protection switch control; good earth protection wire; section acreage of power supply wire no less than 4mm².
- 2.Hydraulic pressure of input water should be 1.5-4 Bar. The temperature of hot water supply to the shower box should be no higher than 65°C. Exclusive on-off control is required for water supply;and control switch shall be positioned on the location for easy installation and operation.
- 3.The independent electric units, which generates steam or moisture, shall not be used in the shower box.
- 4.Earthing device shall be connected to the fixed wiring permanently.
- 5.Residual current device (RCD) of rated residual operating current shall be installed on the
- 6.Make sure the conductor is installed at the proper position through correct equipotential connection.
7. The steam generator will become hot during use and for a period after, do not touch this unit to prevent scalding.
8. After use turn off the power supply to the cabin.
9. Maintenance and care work should be conducted after power supply is cut off.

Tools:



Silicone



Spirit level



Cross screw driver



Wrench



Drill

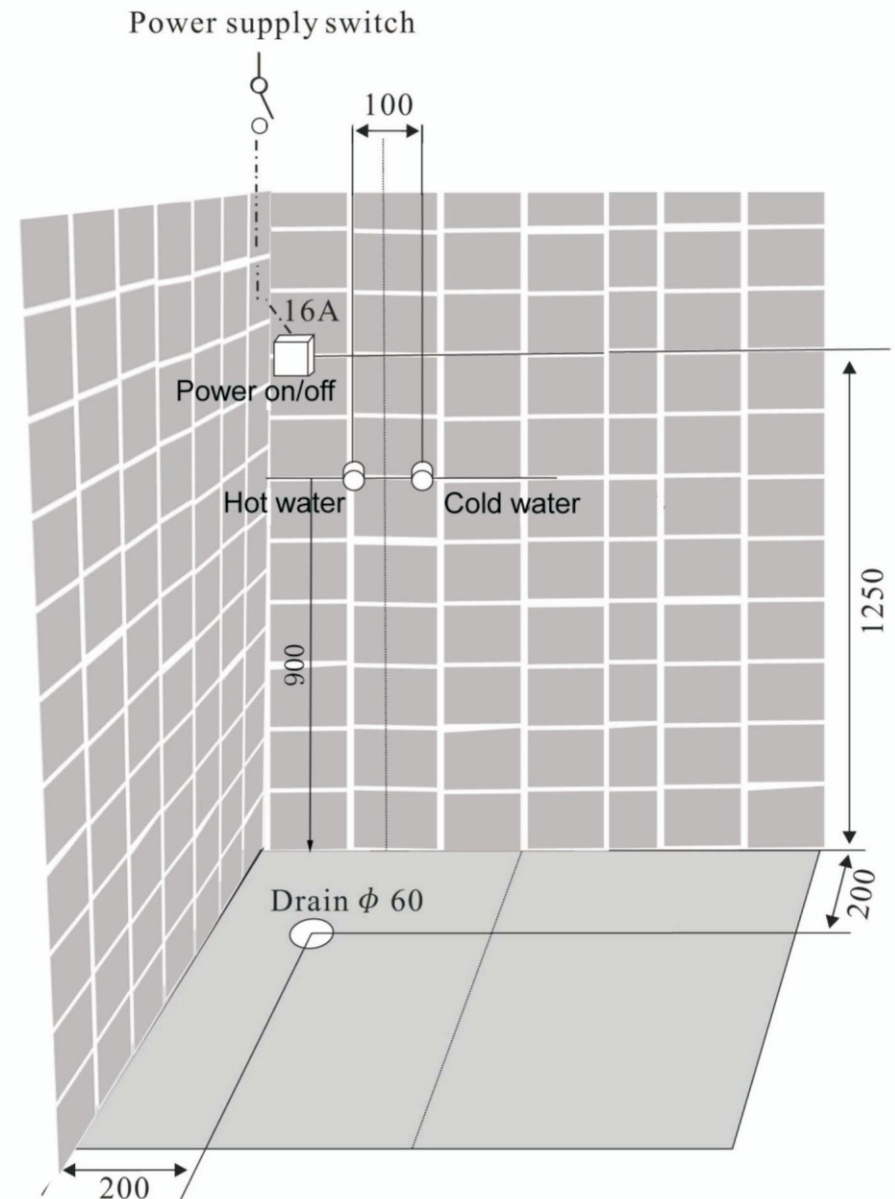


Tape measure

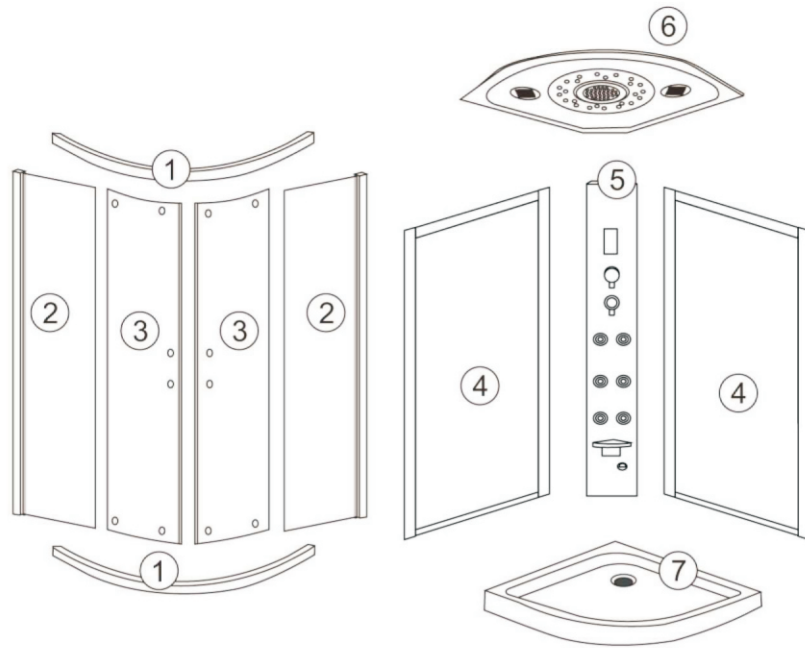


Hex wrench

Installation of Water and Electricity




















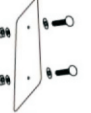





Part list:



Part	Description	Qty
1	Top and bottom rail	1pair
2	Fixed front panel with profile	2
3	Door	2
4	Back panel	2
5	Shower control panel	1
6	Cabin Roof	1
7	Shower tray	1

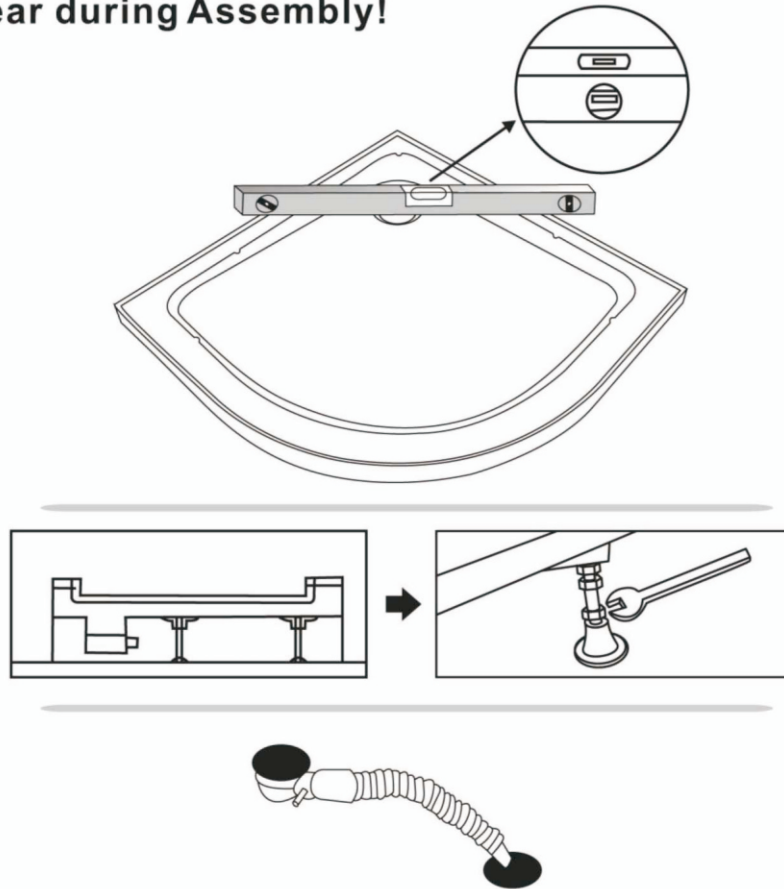
Part list:

A  Screws ST4X40 X8	B  Screws ST4X12 X12	C  Screws ST4X10 X4	D  M4X25 X2
E  M4X25 X12	F  M4X16 X12	G  M6X45 X4	H  Hand shower X1
I  shower hose X1	J1  Upper Roller X4	J2  Bottom Roller X4	K  shower hook X1
L  glass shelf X1	M  Cover X2	N  Rubber Seal X4	O  Glass retaining clip X4
P  Handle X2	Q  Plastic elbow X1	R  Outlet Elbow X1	S  Mirror
T  Drill bit 3mm X1	U  Allen Key X1	V  Steel plate X1	

Installation Procedure

STEP1:

Access will be required to the rear during Assembly!



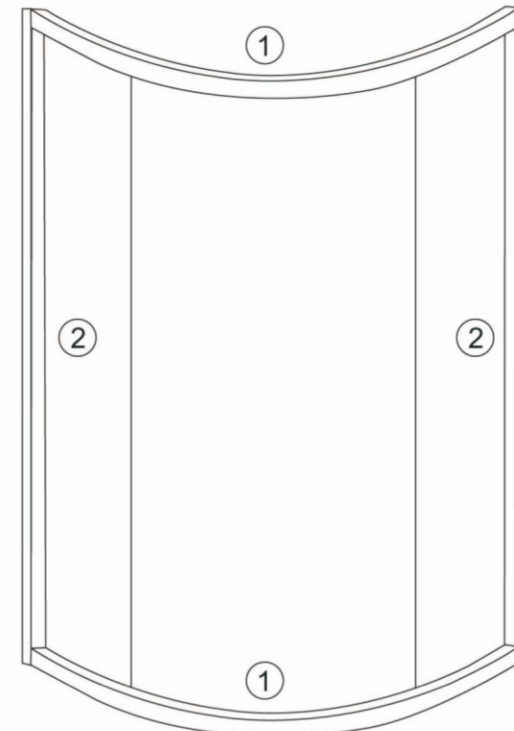
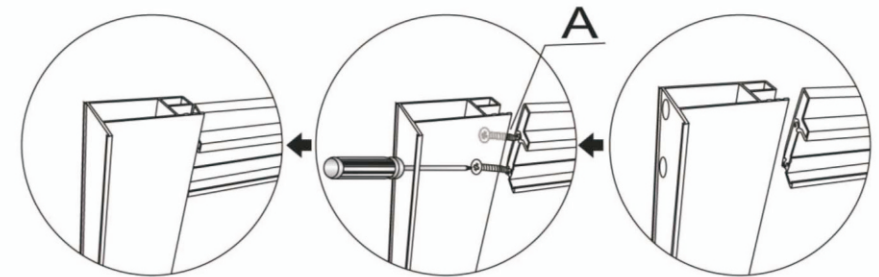
Lay the shower tray in the required location, this should be checked for level and if any adjustment is required, adjust the legs underneath the tray.

Once the tray is level and at the required height the legs should be secured by tightening the locking nut, using a spanner.

Once the tray has been adjusted and the legs secured, the waste flexi pipe should be connected to the domestic drainage system and checked for water tightness before full assembly is completed.

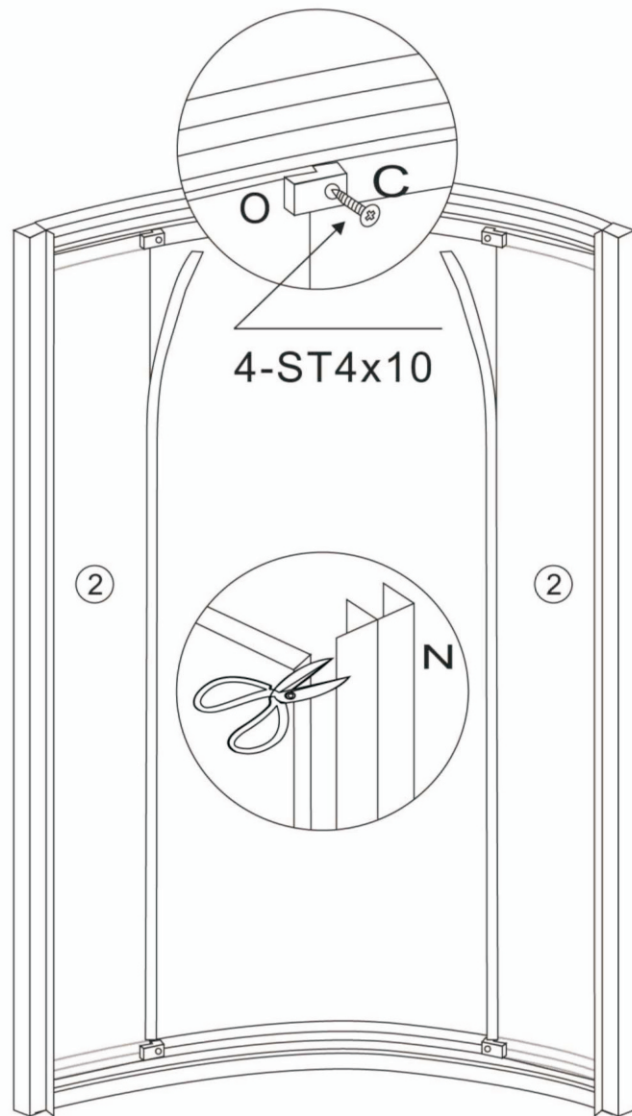
STEP2:

Connect the top and bottom rails (1) to the side profiles (2) using the screws (A) ST4 x 40.
Fit the screws through the side profile to connect to the rails.



STEP3:

Fit glass seal (N) onto front panel with the fin facing inwards.
Secure the glass to the frame using the glass retaining clips(O) and screws ST4x10



IMPORTANT!

Customers/plumbers should read this additional page before installation.

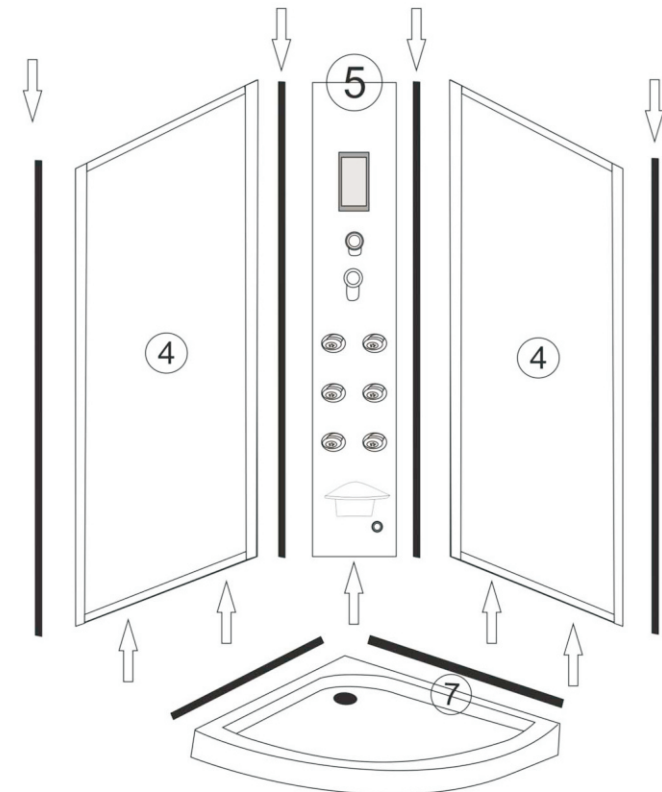
Sealing must be carried out prior to securing the panels together and securing the panels to the tray.

Seal between the underside of the frame/panel and the tray.

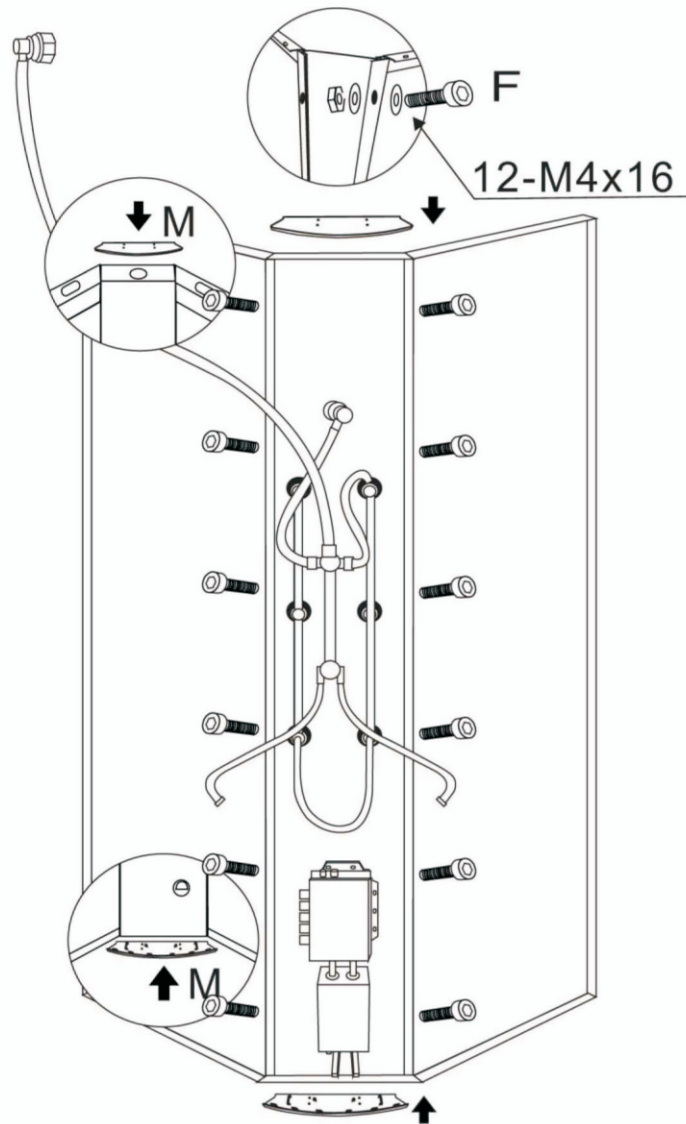
Seal between the frame/panels.

Do not seal on the inside.

Sealing should still be done on the outside as indicated later in this guide.

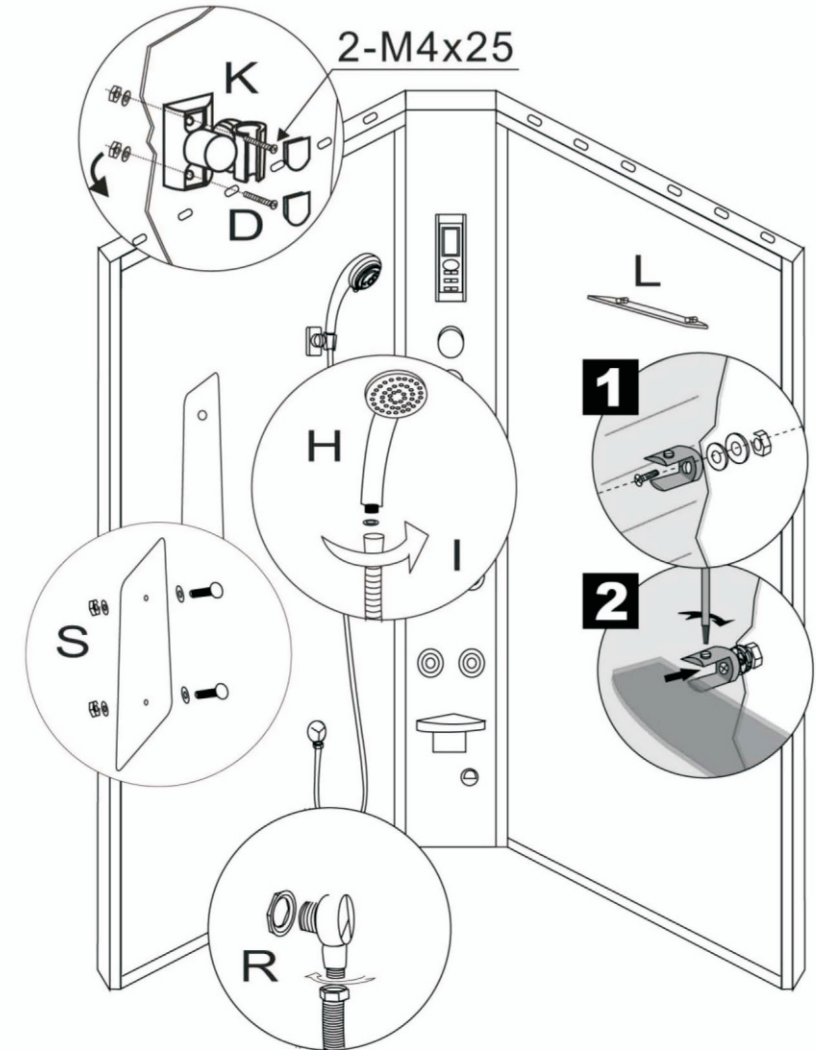


STEP4:



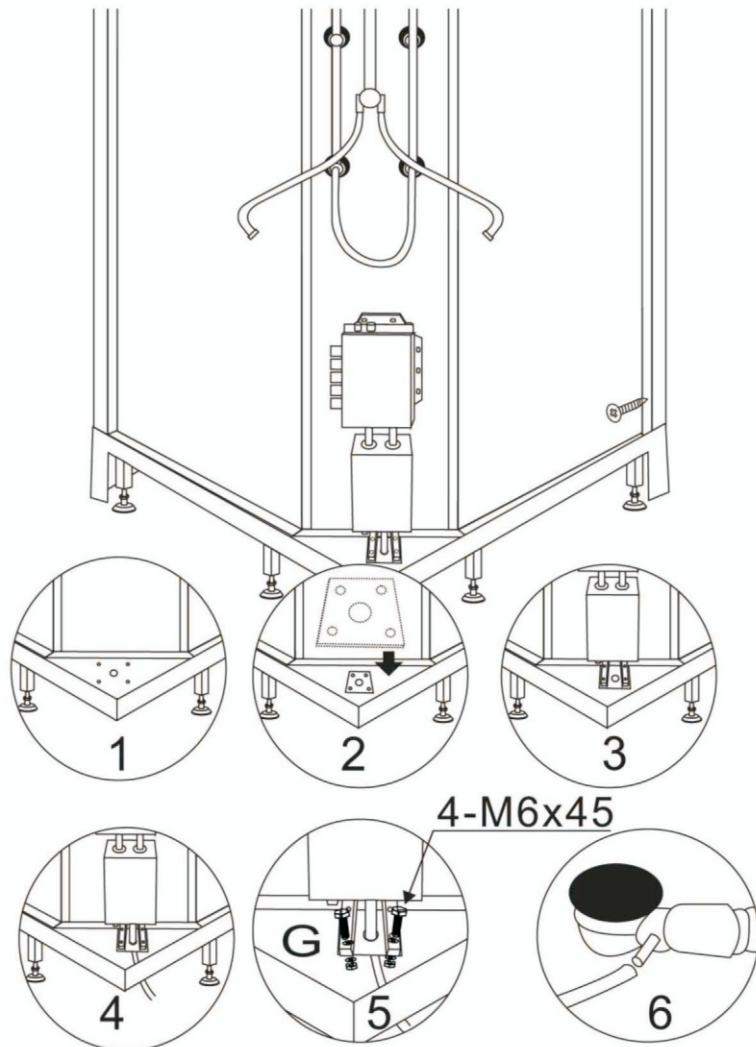
Insert the up and bottom cover(M)to the end of shower control panel(5). Place the back panel (4) and the showercontrol panel(5) together. Once these are correctly aligned,Secure the panels together using bolts and nuts provided M4X16(F)
Before screwing these together we recommend sealing each joint to create a watertight seal.

STEP5:



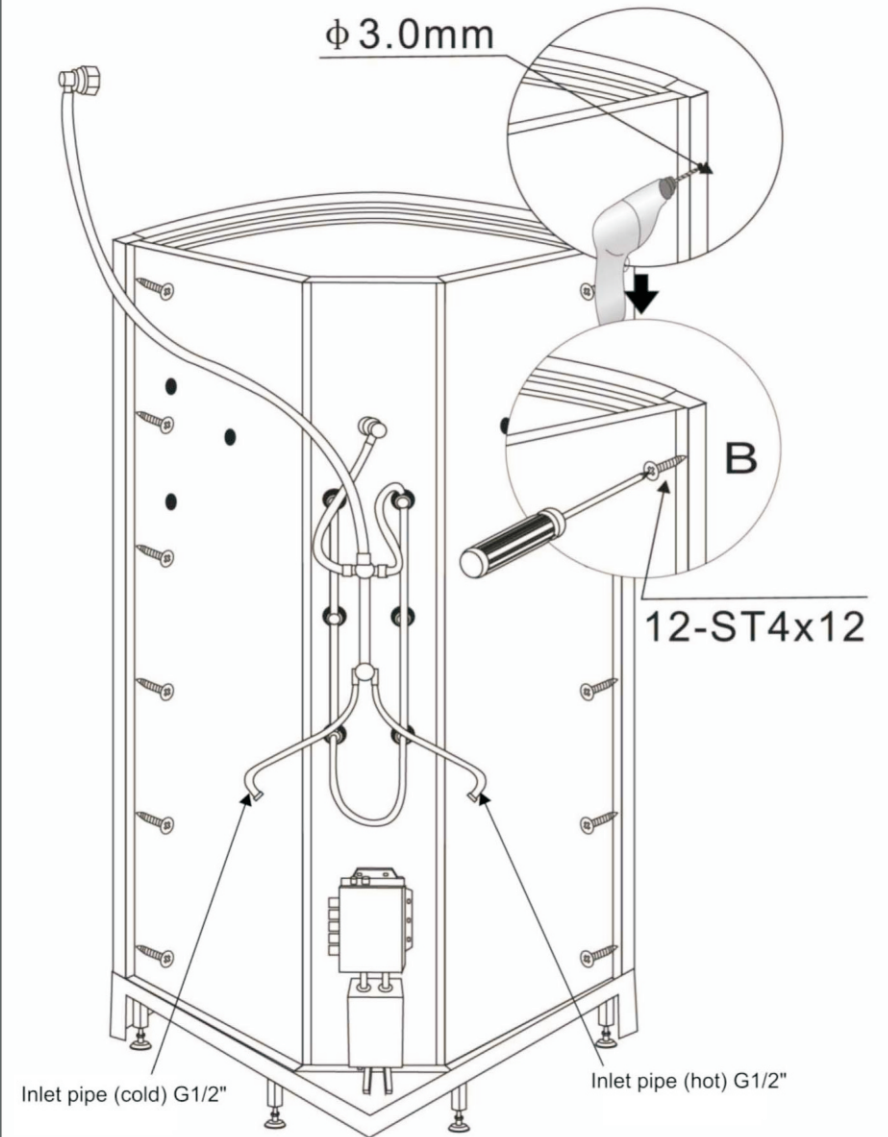
Offer the shower hook(k) to the backpanel holes and secure it to the panel using the washer and nut provided(D)(M4x25)
Secure the Mirror(S),Outlet elbow(R), Glass Shelf(L) to the back panel using the bolts,nuts and washers provided.
Ensure the washers are fitted to each end of the shower hose and connect the nut end to the outlet elbow.

STEP6:



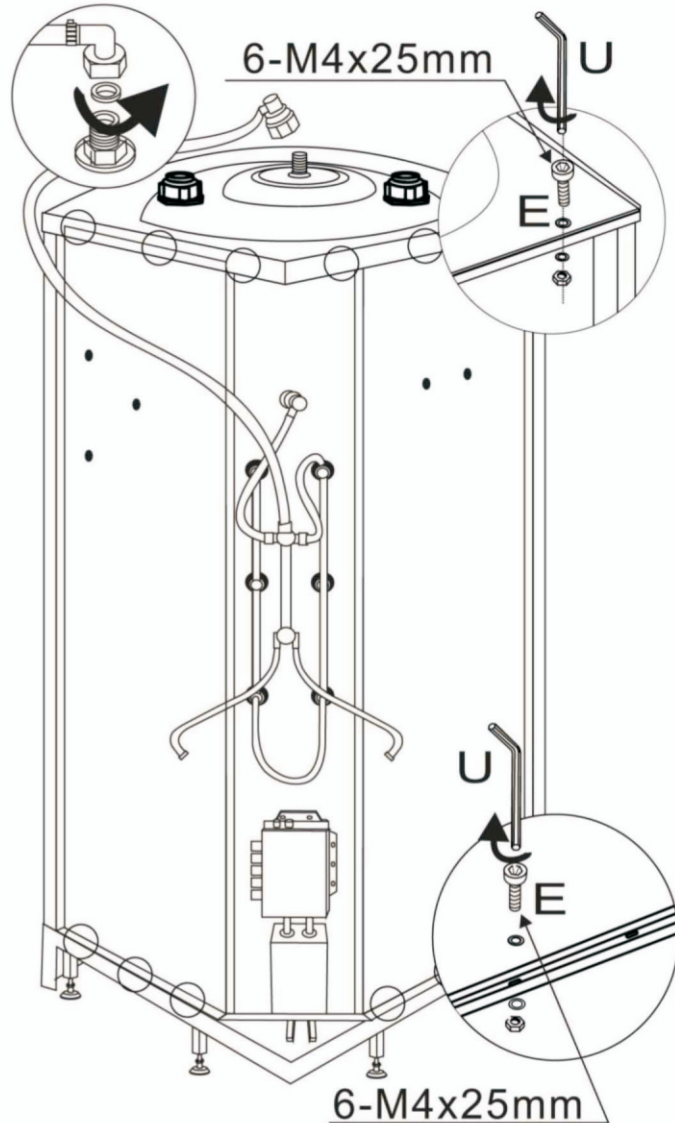
This part of the assembly may require two people.
Place the panels and the frame onto the shower tray, we recommend sealant applied between the panels, frame and the tray.
Put the steel plate (V) on the corner of the shower tray (see picture 2), secure the frame of steam generator with steel plate using M6x45 (G).
Insert the steam generator hose through the middle hole of the steel plate, connect the hose to the waste.

STEP7:



Once positioned correctly, drill the frame using a 3mm drill bit and secure the back panel and front panel together using ST4x12(B).
Inlet pipes are not supplied.

STEP8:

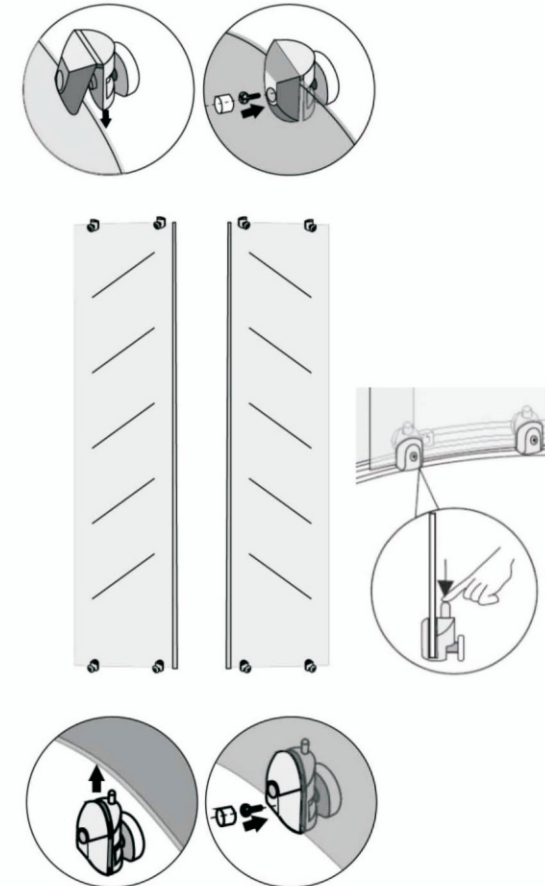


Place the roof(6) onto the frame and align.
Secure roof to the frame using the bolts and nuts M4x25(E) provided.
Secure back panel and shower tray using the bolts and nuts M4x25(E) provided.
Connect the pipe elbow to the threaded connector on the overhead shower and ensuring the plastic washer is fitted, tighten.

STEP9:

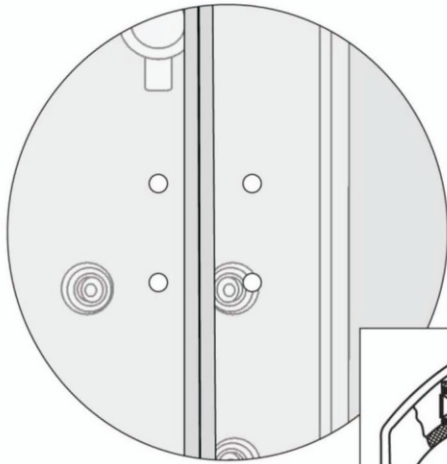
IMPORTANT - FIXED ROLLERS FITTED TO TOP

To fit the top (Fixed - J1) rollers, offer the roller to the door and connect through the glass using the screw provided, tighten and fit cover cap.

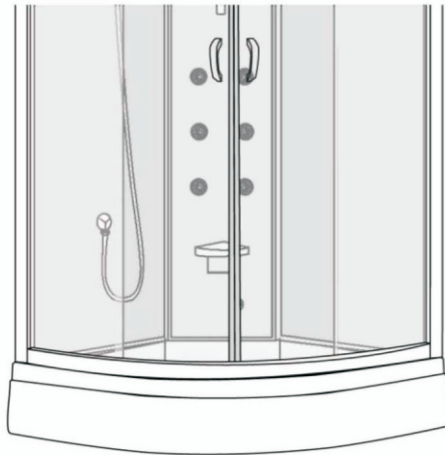
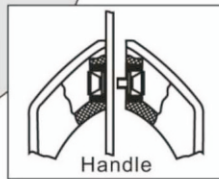


Fit the bottom spring rollers (J2) to the bottom of the door
Secure them to the door using the screws and covers provided
Hook the door onto the top rail, then push the door towards the bottom rail.
Push down on the button and hook under bottom rail, then release.

STEP10:

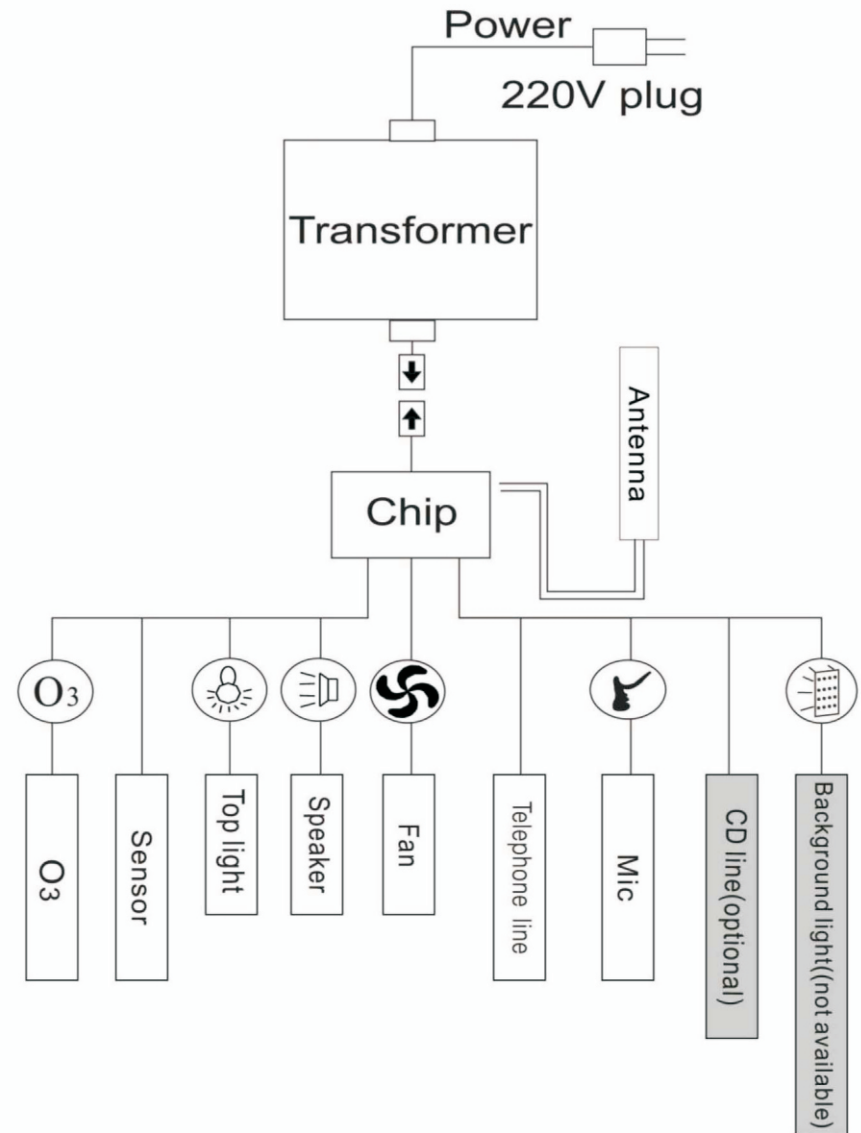


Offer the door handle (P) up to the holes in the doors, connect the handle through the glass and tighten using fittings supplied.



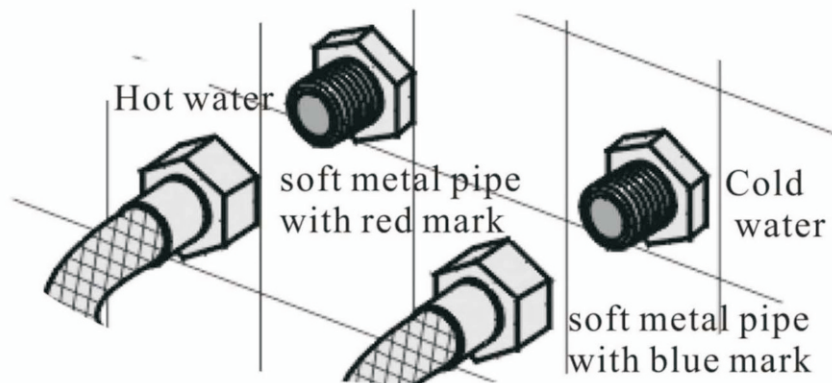
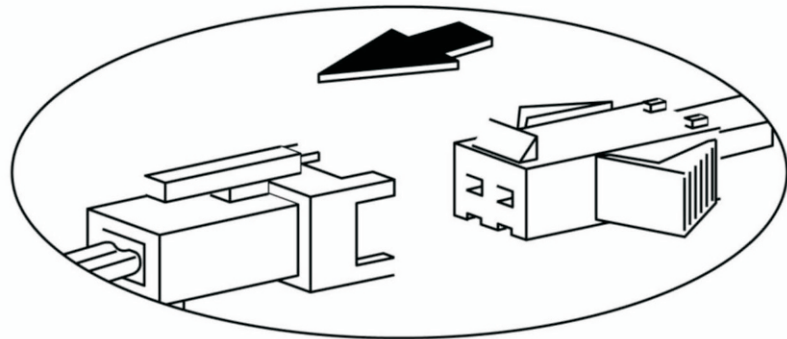
The next step is to seal the outside of the enclosure. Once sealed do not sue for at least 24 hrs. Finally before positioning the enclosure in its required location, the flexi supply pipes on the rear should be connected to the water supply pipes. Hot on left - Cold on right.

● Schematic diagram of hydropower



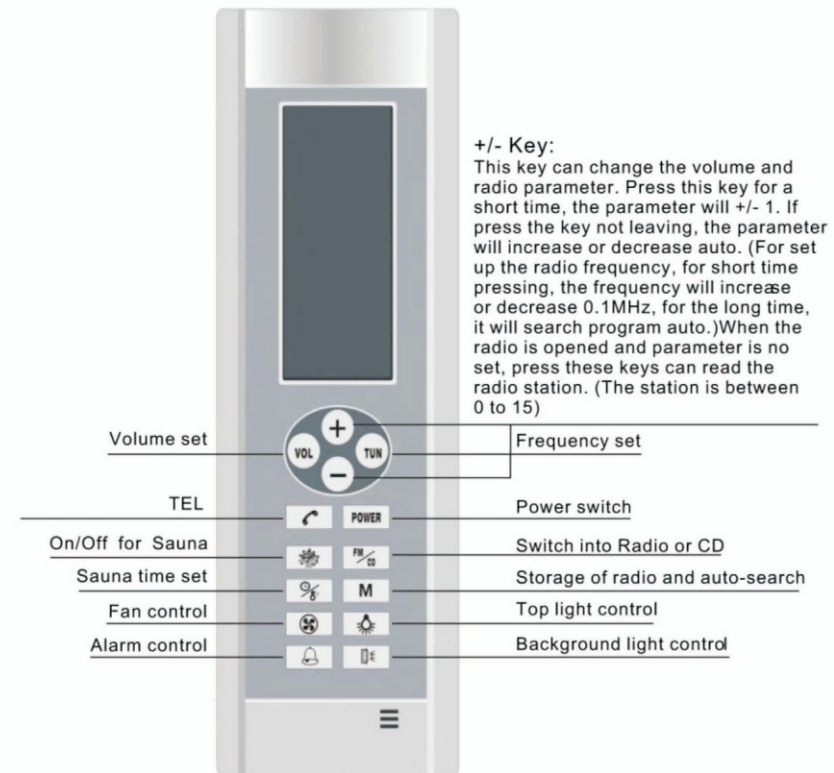
1. Sensor need to be put in the hole on the roof
2. This steam cabin is without background light function
3. CD function will work only when you buy a CD player and put on the roof, connected the CD line with CD player.

● Schematic diagram of hydropower



Connect all the wires correctly, connect the hose of head shower, hot water hose and cold water hose correctly, put the antenna to the top.

Keyboard Diagram:



1. The power button:

When press the power button, the system is powered on and the top lamp is on. The whole system stands by. All the other function is open.

2. The use of lighting:

The top lamp is on while operating the system with the sign of lamp being displayed on the screen. Pressing the lighting button again, the top lamp is off.

3. The use of back lamp: (Not available on this shower cabin)

When pressing the back lamp, the back lamp is on. Pressing again, the back lamp is off.

4. The use of exhaust fan:

When pressing the fan button, the exhaust fan is on. And the sign of fan is flashing on the screen. Pressing again, the exhaust fan is off, and the sign disappears.

5. The use of alarm:

When pressing the alarming button, the speaker will alarm with the "DuDu" voice. Pressing it again, it stops alarming.

6.the function of numeric reception of radio and researching:

Power on: pressing the FM/CD exchanging button, the sign of frequency is displayed. Meanwhile the radiogram is on.

Adjust the broadcasting station : Press the TUN button then press the +, - button, the system can tune up the broadcasting station automatically with the current frequency value (87-108MHz) being displayed on the screen.

Tune up: pressing the VOL button, then pressing the +, - button, the system can tune up the volume automatically with the current volume (0-10) being displayed on the screen.

7.the function of station storage

When the radio is on, press "M" button once to keep the current frequency to the current broadcasting station.

When the radio is on, press the "M" button for seconds, the radio frequency can search the broadcasting station from 87.0MHz to 108.0MHz, then keep each of the frequency which has broadcasting station signal automatically on the position from 0 to 15 in turn.

8.CD function

Only when you connect the CD player to the CD line and put the CD player on the roof.

After pressing the FM/CD exchanging button, the CD is on with the symbol of CD being displayed on the screen. At this time, people can listen to the CD music.

9.The use of phone

Answering: when there are calls (if the radio is on at the same time), the system will cut off the radio automatically and there is a symbol of the telephone flashing on the screen with the sound of "ring" in the sound box. Press the "TEL" button to answer the telephone. After answering the telephone, press the "TEL" button again, the system will return to the primary broadcasting station state.

Can adjust the volume when answering.

Ringin g: Not available.

10. Sauna function

Pressing the Sauna button, the Sauna starts working with the symbol being displayed on the screen.

Parameter adjustment: the time and temperature of Sauna can be adjusted by pressing the time/temperature exchanging button, the system's acquiescent time is 60mins, and the acquiescent temperature is 45°C. Pressing the time/temperature-exchanging button first, then pressing +/- button, the time and the temperature can be adjusted. The time limit is (0-120), and the temperature's is (25-60).

Idiographic function : when the setting time of sauna is up, the Sauna stops working. The electrical heating stops to heat the water, when the setting temperature is up, or there is trouble in the system.

Force watering: The system will force watering in for 1 minute, if the heating lasts more than 5 minutes but without watering in once.

Power off and draining: If the Sauna function has been operated before powering off, the ozone will be powered on to sterilize after the system is powered off for one minute and drain for three minutes.

11. Self-Alarm of Malfunctions:

1. This system has already installed 4 different kinds of malfunction diagnostic.

2. Malfunctions as follows:

2.1. E0: Sensor Malfunction: When the room temperature sensor is in open circuit or short circuit, alarm malfunction "E0".

2.2. E1: Malfunction 1 with water feeding: Infuse water at first surpass 2 minutes, the water level doesn't reach the setting water level, alarm malfunction "E1", infuse water compulsorily.

2.3. E2: Malfunction 2 with water feeding: Infuse water surpass 5 seconds again, the water level doesn't reach the setting water level, alarm malfunction "E2", stop electric heat in and infuse water continuously.

2.4. E3:

2.4.1 When the loading fuse (Sticker 3A on electric box) is broken, all the lights and fan will be off.

2.4.2 Surpass heat protect: After protect switch of electric heat breaks, alarm malfunction "E3", other working process as follows: stop electric heat and infusing water 3 seconds---stop infusing water 10 seconds---drain water 30 seconds---stop draining. After finishing the above process, and check the protect switch of electric heat whether it is closed or not, if it is closed and clear away the malfunction, and it gets into the normal sauna working, or repeat the above process

When the system has above troubles, the buzzer will sound the voice "do" long times.

Guarantee

Not covered by the guarantee is:

Breakdown due to -

- a) Use other than domestic
- b) Wilful act of neglect
- c) Any malfunction resulting from incorrect use
- d) Incorrect setting of controls
- e) Any malfunction resulting from poor water quality

Repair costs for damage caused by foreign objects or substances

Total loss of the product due to non-availability of parts

Compensation for loss of use of the product or consequential loss of any kind.

Call out charges where no fault has been found with the product.

Not covered by the guarantee is:

The cost of repair or replacement of pressure relief devices, spray heads, hoses, riser rails and/or wall bracket or any other accessories installed at the same time.

The cost of routine maintenance, adjustments, overhaul, modifications, loss or damage, arising therefrom, including the cost of repairing damage, breakdown, malfunction caused by corrosion, furring, pipe scaling, lime scale, system debris or frost.