



## Halogen Bulbs

**Note: Items supplied with G4 halogen capsule bulbs are NOT dimmable!**

- **Items supplied with halogen capsule bulbs MUST use the same bulbs and wattage as marked on the product.**  
**These low pressure bulbs are marked with this symbol –** 
- When fitting halogen capsules, take care not to touch the capsule directly with fingers as this will leave a residue of grease on the glass surface. This will reduce the life of the capsule.
- Always switch off at the supply and allow to cool for 15 minutes before replacing blown capsule bulbs.
- Do not operate this product with blown bulbs installed – this will shorten the lives of the other bulbs fitted. Always dispose of blown bulbs carefully.

## Items that require a minimum safe distance between the bulb and illuminated surfaces

If the symbol  appears on your product, it indicates the minimum distance in metres which must be left between the bulb and any lit surface. This avoids overheating of the lit surface. Before changing a bulb, switch off at the socket and allow the bulb to cool.

## Switch on!

You may now switch the electricity back on at the mains.

## Cleaning care

Brass and lacquered finishes should be cleaned with a soft, dry cloth only. Do not use polishes or abrasive cloths.

Glass shades with textured finishes, and fabric shades, should be given a light dusting only. Do not immerse in water or cleaning solutions.

Glass shades with smooth finishes should be washed in luke warm water only. Do not use cleaning agents or detergents.

## Safety information

For your safety, please remember the following:

Always switch off the supply before removing shades/covers, changing lightbulbs or cleaning.

## HELPLINE

If you receive this item with parts broken or missing, please telephone:

**0333 0050077**

Please have ready your name, address, tel. no., product reference, where purchased and parts required. An answering service is in operation outside office hours and during busy periods.

***We regret that we are unable to give advice on internal house wiring.***

SPA, OL9 9RJ

Spa  
Bathroom Lighting

## User Instructions

Thank you for selecting this product. It has been thoughtfully designed and carefully manufactured to ensure a high level of reliability and performance.

**Please take time to read this leaflet carefully and retain it for future reference.**

We strongly recommend that ceiling/wall fittings are installed by a qualified electrician. If, however, you decide to carry out your own installation, please read through these instructions carefully before commencing work, and retain them for future reference.

Please note, the important safeguards and instructions appearing in this leaflet are not meant to cover all possible conditions and situations that may occur. It must be understood that common sense, caution and care are factors which cannot be built into any product and must be supplied by the person installing and caring for the fitting.

## Changes to Building Regulations

As of 1 January 2005, changes to the Building Regulations affect domestic electrical installations in England and Wales. You don't need to be a qualified electrician to make changes to your home's electrical system, but the work must be done in accordance with the standards in the Regulations.

You do not need to notify your Local Authority if you do **minor** electrical work such as:-

- replacing or repairing a socket, light or cable in any room
- adding extra spurs, sockets or lights to an existing circuit (except in a kitchen, bathroom or outdoors)

However, the work must be done to the standards in the Wiring Regulations and you should consider having the work checked by a competent electrician to make sure it is safe.

Before you start **other** electrical work such as:-

- adding new circuits to your existing installation
- any work (other than repairs / replacements) in a room where there is water (eg. kitchen, bathroom, etc.)
- any work (other than repairs / replacements) outdoors (eg. installing garden lighting or sockets, etc.)

You must **notify** your Local Authority Building Control Department, which has responsibility for ensuring the work is inspected and tested.

Where you have any work done by an electrician who is a member of a competent person self-certification scheme, the electrician will be able to certify the work complies with the Regulations and you do not need to notify your Local Authority.

We recommend that you make yourself aware of the Regulations before you undertake any work and if you require any clarification you should contact your Local Authority Building Control Department.

## Important Safety Information

All ceiling/wall fittings should be connected via a 5 amp fused circuit and must be installed in accordance with current applicable building and electrical installation regulations.

Before installation and servicing, disconnect the electrical supply at the mains.

Carefully observe all instructions or warnings that are labelled on, or supplied with, your product.

Unless otherwise stated, products are suitable for normal indoor use only and should not be used where water or high humidity may affect them.

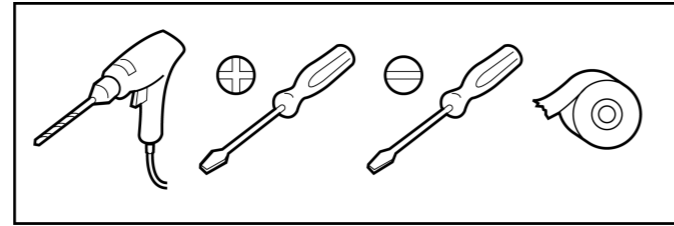
**If in any doubt, consult a qualified electrician.**

## General Information

Do not mount ceiling/wall fittings onto damp surfaces such as newly painted or plastered areas as this may cause discolouration of the finish.

## Tools which may be required:

- Drill
- Cross Head Screwdriver
- Small Electrical Slotted Screwdriver
- Insulation Tape



## Fixing instructions for ceiling fittings and wall lights

All ceiling fittings and wall lights must be connected to the supply earth. If your lighting circuit does not have an earth, ask a qualified electrician to provide an earth facility.

**For ceiling fittings: Make sure that there is a joist or other solid mounting at the point of fixing. This is necessary to take the weight of the fitting.**

**For wall lights: Identify the location and direction of any hidden supply cables or service pipes before drilling fixing holes.**

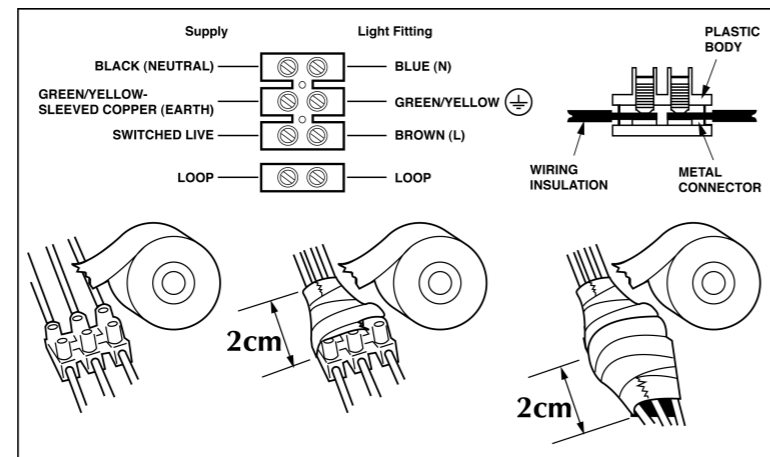
Refer to the separate assembly diagram for product specific mounting and assembly instructions.

## Wiring ceiling fittings and wall lights

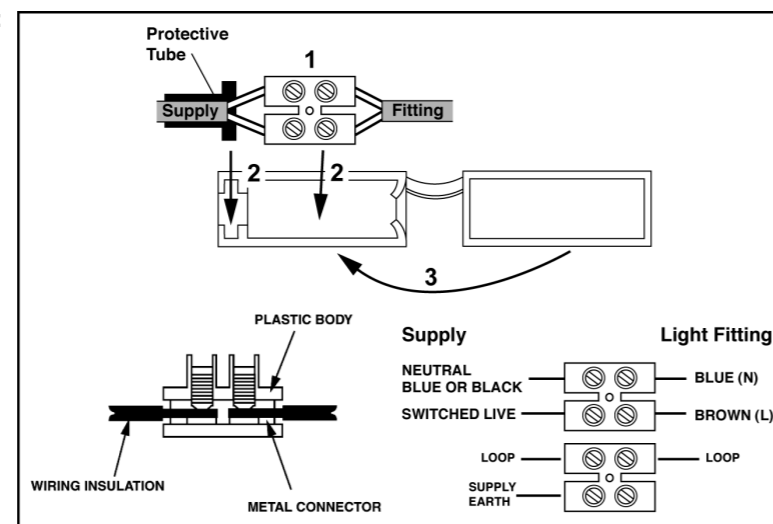
Refer to the diagrams below to ensure safe and correct connection to the mains supply.

For Earthed items (Class 1):

These are marked with the symbol



For Double insulated items (Class 2):  
These are marked with the symbol



## Installation of products in bathrooms Bathroom Zones

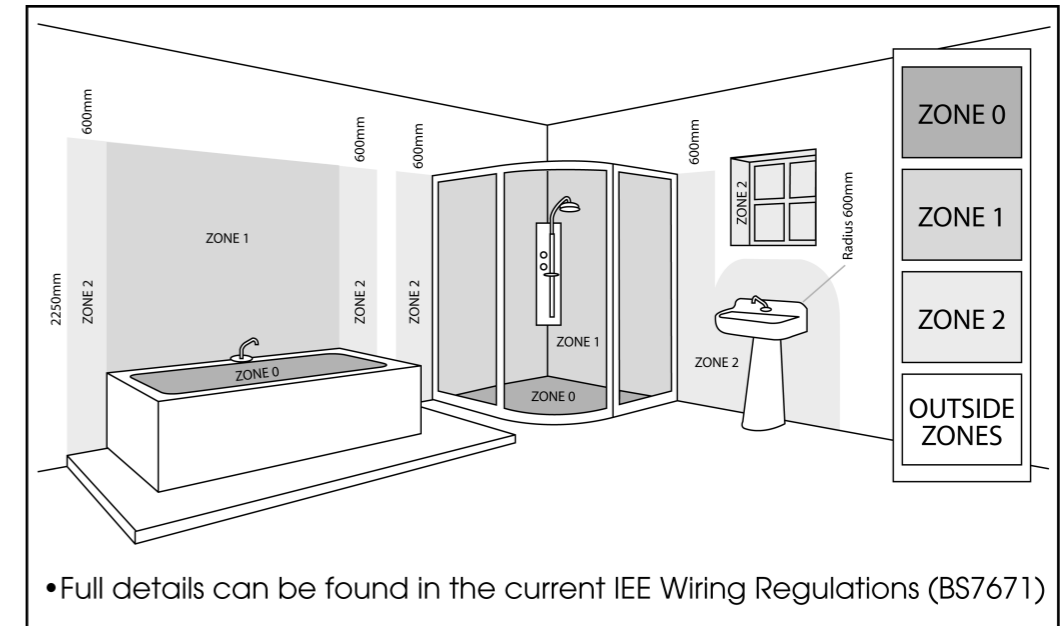
### IMPORTANT!

During installation ensure that any rubber seals, gaskets and grommets are intact and correctly in position. If in any doubt, consult a qualified electrician.

Products marked IP44 can be used in ZONE 2 and the OUTSIDE ZONES.

Products marked IP44 **and connected to a 30mA RCD protected circuit** can be used in ZONE 1.

Products with no IP markings can only be used in the OUTSIDE ZONES.



## Selecting the correct lightbulb

Identify the correct maximum wattage and type of bulb by referring to the product labelling.

caution: only use a bulb of the same type designation and shape, and of the same or lower Wattage. Low Energy bulbs can be used where available

Allow the lamp to cool for at least 10 minutes before replacing spent bulbs.

## Items supplied with bulbs.

If the fitting is supplied with bulbs: (G4 & G9 capsule bulbs and GU10 reflector bulbs)  
Only use the bulb type and wattage supplied.

Items supplied with GU10 bulbs are sometimes supplied with a suction cup to aid bulb fit / removal. The diagram below shows how to use this tool.

To insert: push fit the suction cup onto the front of the bulb, push the bulb into the bulbholder and twist clockwise.

To remove: push fit the suction cup onto the front of the bulb, twist anticlockwise and pull gently outwards.

The suction cup is easily removed from the bulb by lifting the cup's edge to break the air seal.

