

3 Head Chrome & Brushed Chrome Bathroom Spotlight



INSTRUCTIONS

Please read carefully before installation and retain instructions for future reference. If you are in any doubt about installing this product, consult a qualified electrician. Fittings must be installed by a competent person in accordance with current IEE Wiring Regulations (BS7671). This product should not be modified. Any modification will invalidate the warranty and may render the product unsafe.

FUSE VALUE

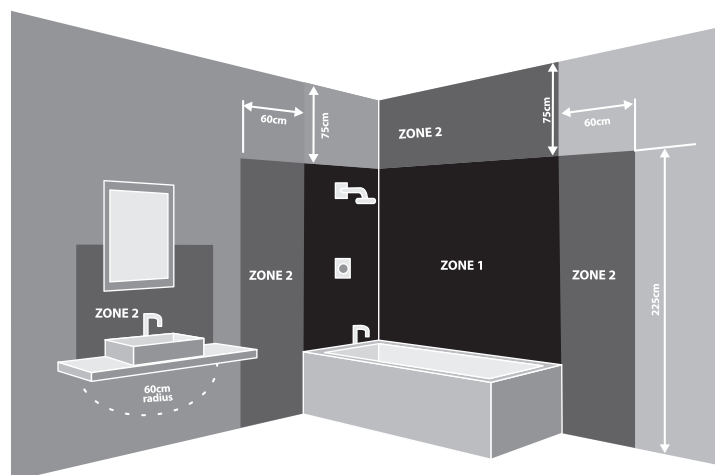
The fitting can be connected to a lighting circuit protected by a 5A fuse or 6A residual current device; alternatively, it can be connected to a ring main by means of a fused connection fitted with a BS 1362 3A fuse. This product is only suitable for connection to 220 / 240V, 50 Hz supply and in accordance with Local Wiring and Building regulations. For domestic use only.

BEFORE COMMENCING INSTALLATION ENSURE THE POWER SUPPLY IS SWITCHED OFF AT THE FUSE BOX AND FUSE IS REMOVED TO PREVENT ACCIDENTAL SWITCHING (TURNING THE LIGHT SWITCH OFF IS NOT SUFFICIENT).



Warning: This product contains glass. Care must be taken when fitting or handling to prevent personal injury or damage to the fitting.

IF A LOOP WIRING SYSTEM IS PRESENT IN YOUR HOME THERE MAY BE CONSIDERABLY MORE CABLES THAN IS NORMAL FROM YOUR CEILING. BEFORE DISCONNECTING THE CURRENT FITTING MAKE CAREFUL NOTE OF WHERE EACH CABLE IS CONNECTED AND REPLICATE THIS IN YOUR NEW FITTING.



LOCATION

- This product is NOT suitable for bathroom zone 0.
- This product IS suitable for bathroom zones 1, 2 or 'other' areas where moisture is likely (see diagram above).
- When fitting in a bathroom the product must be supplied via a 30mA residual current device (RCD) and installed by a competent person in accordance with current IEE Wiring Regulations (BS7671) and local building regulations. If in doubt consult a qualified electrician.

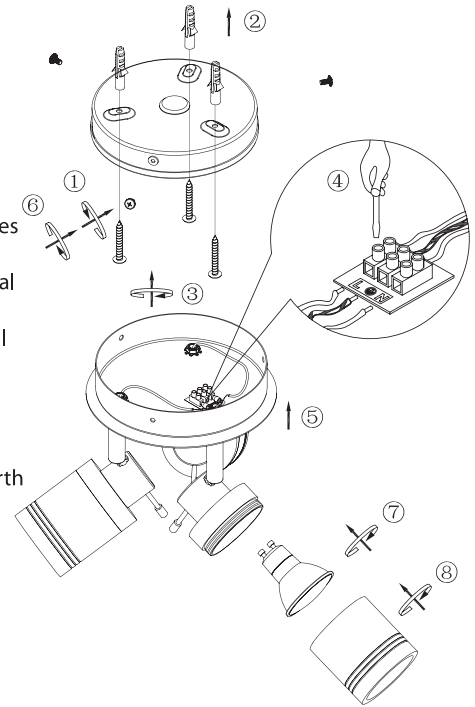
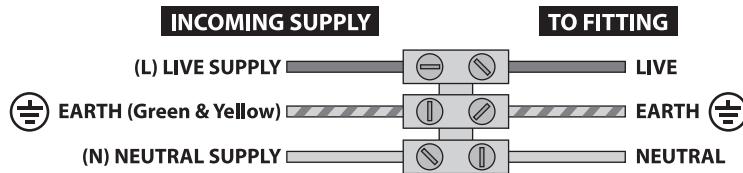


THIS FITTING IS F MARKED WHICH ALLOWS THE LUMINAIRE TO BE MOUNTED ON NORMALLY FLAMMABLE SURFACES.

INSTALLATION & WIRING

- Remove the product from the packaging taking care not to damage the unit.
- Remove the fixing plate at the rear of the product from the backplate by unscrewing the securing screws.
- Offer the fixing plate to the mounting surface and mark the position of the fixing holes.
- Where possible the unit should be mounted into a ceiling joist or other secure fixing. Where plasterboard is encountered use appropriate fixings (not supplied).
- Drill the fixing holes and attach the fixing plate to the ceiling taking care not to foul any pipes or mains beneath the surface.
- Ensure 8mm (approx) of insulating wire is removed from the mains cable to expose the metal conductor.
- Connect the incoming mains cable to the terminal block on the fitting, following the general wiring code shown below.

Connect the incoming 'LIVE' (BROWN or RED) to the terminal marked 'L'
 Connect the incoming 'NEUTRAL' (BLUE or BLACK) to the terminal marked 'N'
 Connect the incoming 'EARTH' (BARE/GREEN & YELLOW) to the terminal marked with the Earth Symbol



Important: This product MUST be earthed. If no earth feed wire is available, please consult a qualified electrician.

- Ensure that connections are tight and no loose strands of wire are left out of the connections.
- Place the backplate back over the fixing plate ensuring that no wires are trapped or strained.
- Once in place re-attach the backplate to the bracket by re-securing the screws (and washers) previously removed.
- Unscrew the lens on each head. Fit the recommended bulb type (see below). Reattach the lens and twist to secure (do not overtighten) to ensure the IP rating is maintained.
- Installation is now complete. Replace the fuse and switch on at mains to test.



FITTING & REPLACING THE BULB

- Switch off product (preferably, isolate at distribution board).

Warning: The light fitting and bulbs can get hot during use. Allow to cool prior to maintaining or adjusting the unit.

- Remove the lens (as detailed above). Carefully remove the old bulb(s) and insert the new bulb(s) into the lampholder.

Light Source is (not supplied):

3 x 35w GU10 *

3 x 28w Eco Halogen GU10 *

3 x LED GU10 **

(Do not use any other type of bulb or exceed the max wattages detailed above).

- Restore mains supply and switch on to test.



* **Note:** When used with GU10 or Eco Halogen GU10 lamp the product is suitable for use with an appropriately rated dimmer switch.

** **Note:** When used with LED GU10 ensure the lamps used are DIMMABLE when used with an appropriately rated dimmer switch.

CORE COLOUR	OLD	NEW
LIVE	Red	Brown
SWITCHED LIVE	Red, or Black with red sleeve	Brown, or Blue with brown sleeve
NEUTRAL	Black	Blue
EARTH	Bare, with green/yellow sleeve	Bare, with green/yellow sleeve (no change)
2-WAY SWITCHED LIVE	Red, blue and yellow	Brown, black and grey



If you have a product or a component within the product, which has this logo, it should not be disposed of within your household waste. Please recycle where the facility exists. Check with your Local Authority or Retailer for recycling advice.