

## Cleaning

All chrome surfaces should be cleaned using a clean damp cloth.

No abrasive cleaning agents or materials should be used.

General glass cleaner can be used for the screen, but ensure that this will not damage the chrome, check the cleaning information on the product before use.

## Guarantee

Your product comes with a 1 year guarantee when installed, used and cleaned in accordance with this manual.

Telephone  
**0844 484 7678**

## Straight Bath Screen



Please retain this manual after installation for future reference and maintenance.

Images are for installation purposes only.



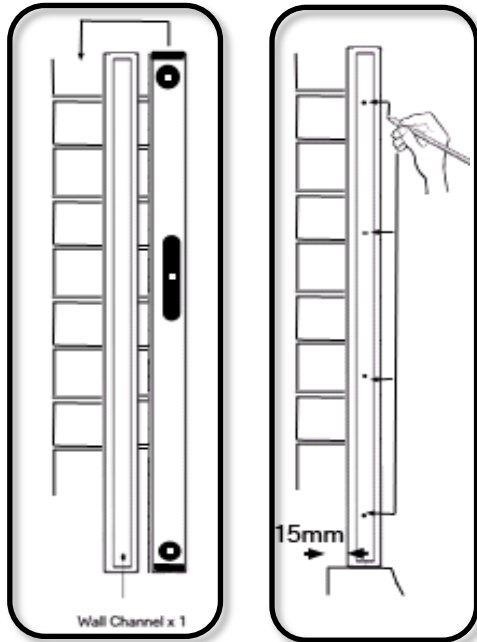
### IMPORTANT

Handle with care, impact can damage both the glass and frame

Check for pipes and wires prior to drilling

Use of safety equipment is advised

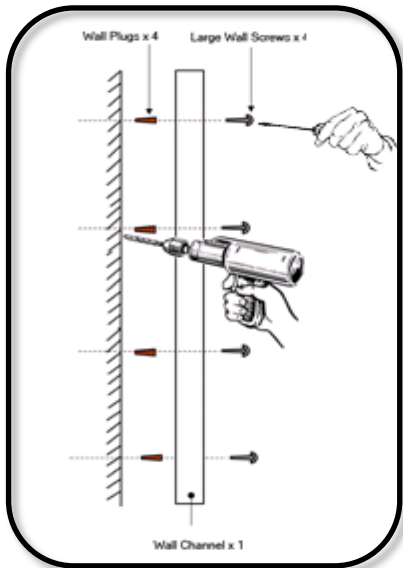
Two people may be required for parts of the installation



Place the wall channel onto the edge of the bath approx 15mm in from outer edge, against the finished wall surface.

Using a spirit level check that the wall channel is vertical on either side.

Once the position has been set, mark the channel drill holes for drilling

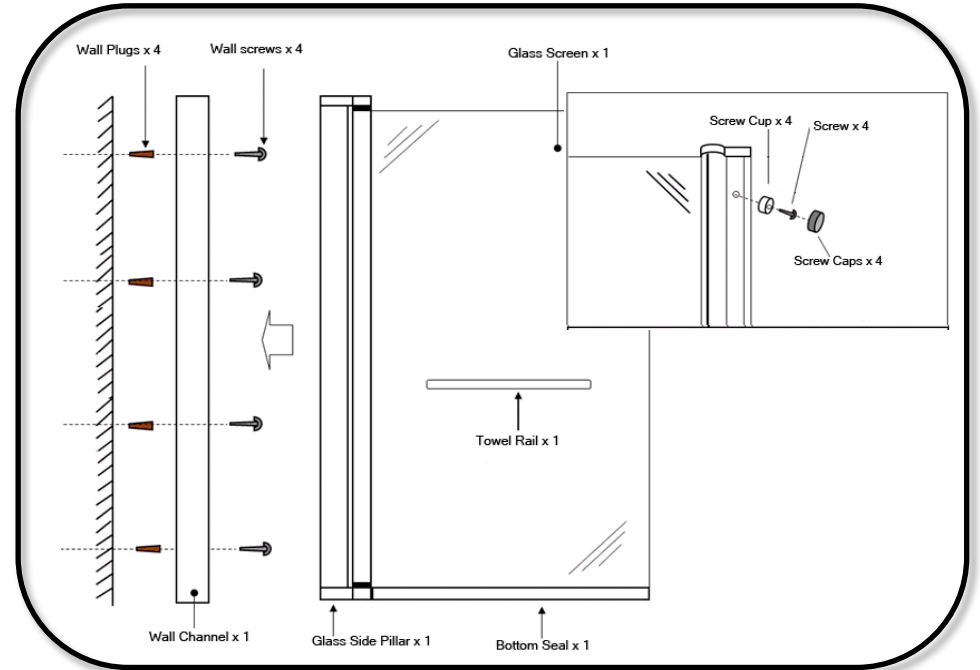


Remove the wall channel.

Drill the holes and insert the plugs, tap in so flush with finished wall.

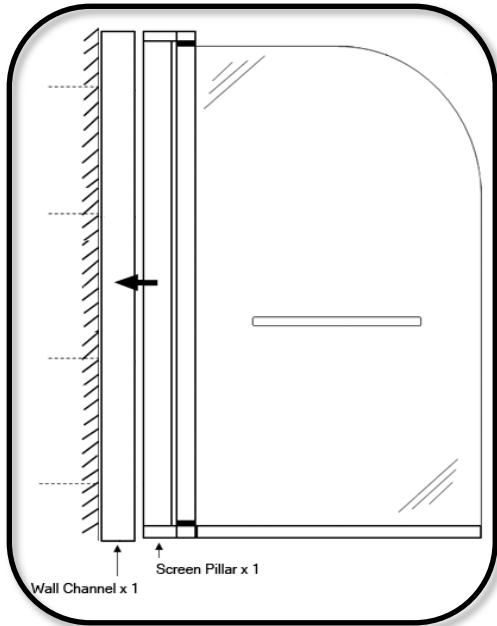
Place the wall channel against the wall and secure wall channel, using the screws provided.

**Product Parts**



Item	Part No.	Qty
Wall Plug	P0019-2	4
Wall Screw	P0002-6	4
Wall Channel	P0029-1	1
Glass Screen - Straight/Round *	P0030-1	1
Glass Screen - Straight/Rectangle*	P0030-2	1
Towel Rail	P0031-1	1
Bottom Seal	P0013-3	1
Screw Cup	P0032-1	4
Screw (Side Pillar)	P0002-7	4
Screw Cap	P0001-7	4

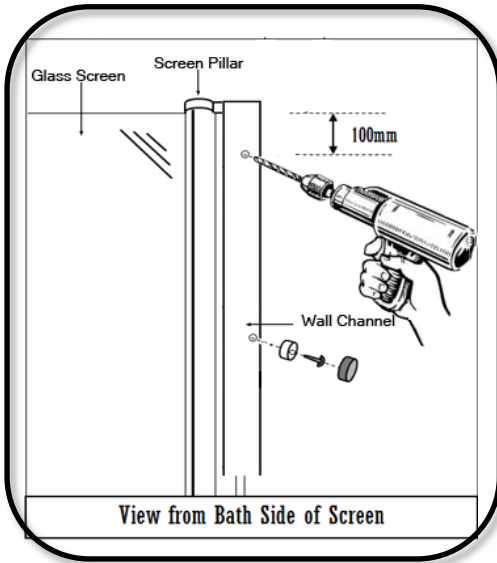
\* (Item is only supplied with one screen - the type will depend on item purchased)



Push the side pillar into the fixed wall channel.

Adjust the side pillar to make the panel level above the bath.

Once the level has been achieved drill through the wall channel and side pillar.



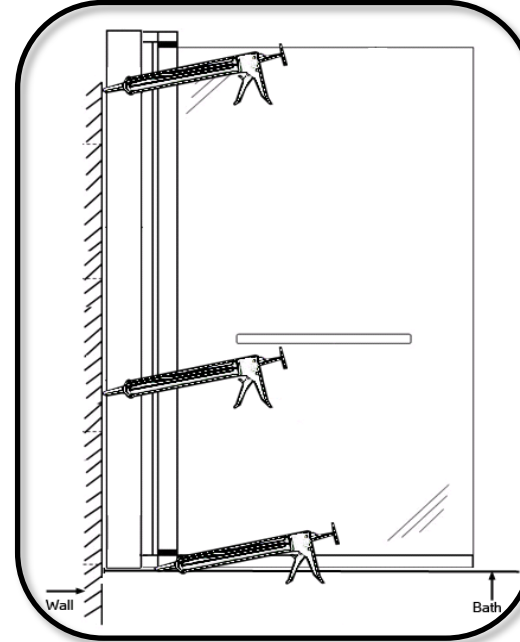
Drill through the wall channel and side pillar from inside the shower screen.

**DO NOT DRILL THROUGH BOTH SIDES OF THE ASSEMBLY**

Drill the top and bottom holes 100mm from each end then the remaining two holes, equally spaced.

Once drilled secure the side pillar into the wall channel using the screws provided.

Then fit screw covers



Fit the rubber seal to the bottom of the screen, ensuring it is fully pushed onto the glass.

Seal along the side of the wall channel, along the bottom edge of the wall channel and around the pivot joint.

The seal should be done on the outside of the screen only.

The seal should be left for 24 hours to set, before use.

Finally, install the towel rail to the screen.

Place the rail through the holes in the screen and connect fittings on opposite side and tighten

# Guarantee

Your product comes with a 1 year guarantee when installed, used and cleaned in accordance with this manual.

## **Not covered by the guarantee is:**

- Breakdown due to -
  - a) Use other than domestic
  - b) Wilful act of neglect
  - c) Any malfunction resulting from incorrect use
  - d) Incorrect assembly/installation
- Repair costs for damage caused by foreign objects or substances
- Total loss of the product due to non-availability of parts
- Compensation for loss of use of the product or consequential loss of any kind.
- Call out charges where no fault has been found with the product.

Your product comes with a 1 year guarantee when installed, used and cleaned in accordance with this manual.

## **Not covered by the guarantee is:**

- The cost of repair or replacement of any accessories installed at the same time.
- The cost of routine maintenance, adjustments, overhaul, modifications, loss or damage, arising therefrom, including the cost of repairing damage, breakdown, malfunction caused by incorrect use, assembly or maintenance