

### **Product Specification**

**Height:** 2110mm x **Depth:** 900mm x **Width:** 900mm

**Minimum pressure requirement:** of 1.5 bar

**Door Opening Size:** 480mm

Thermostatic valve with diverter

Multi Mode Hand shower with slide rail

Acrylic shower tray with push button waste and adjustable feet

### **Cleaning**

The product should be cleaned using a soft damp cloth, no abrasive agents or materials must be used, or this will invalidate your guarantee.

**Please visit our website to view a installation video product code 8254**

**Telephone**  
**0844 484 7678**

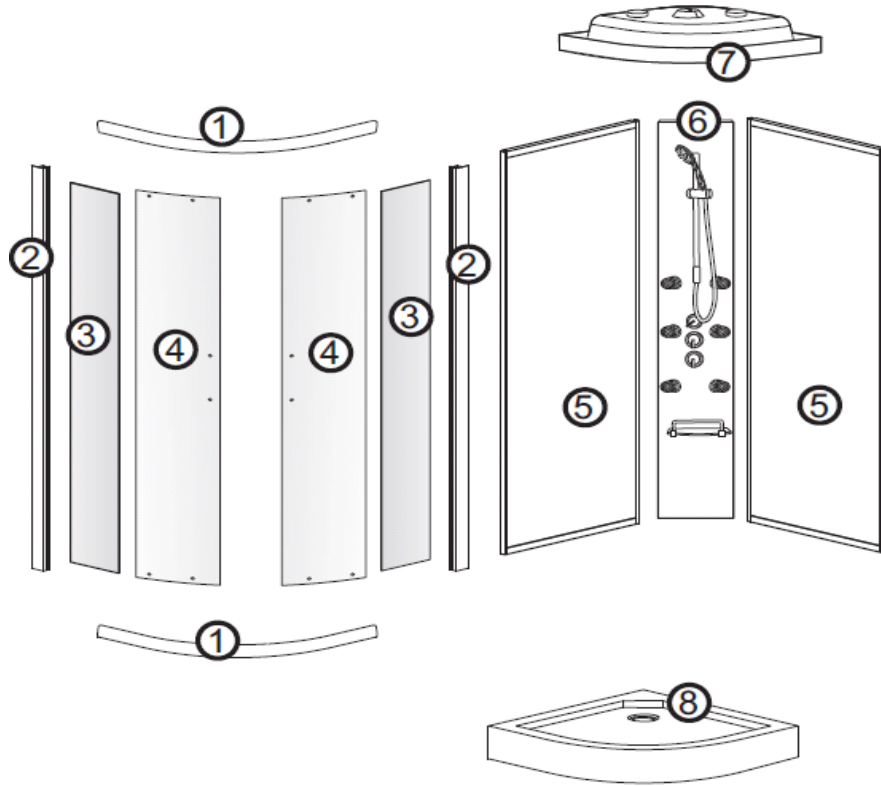
## **Aqualine Hydromassage Shower Cabin**



Please retain this manual after installation for future reference and maintenance.

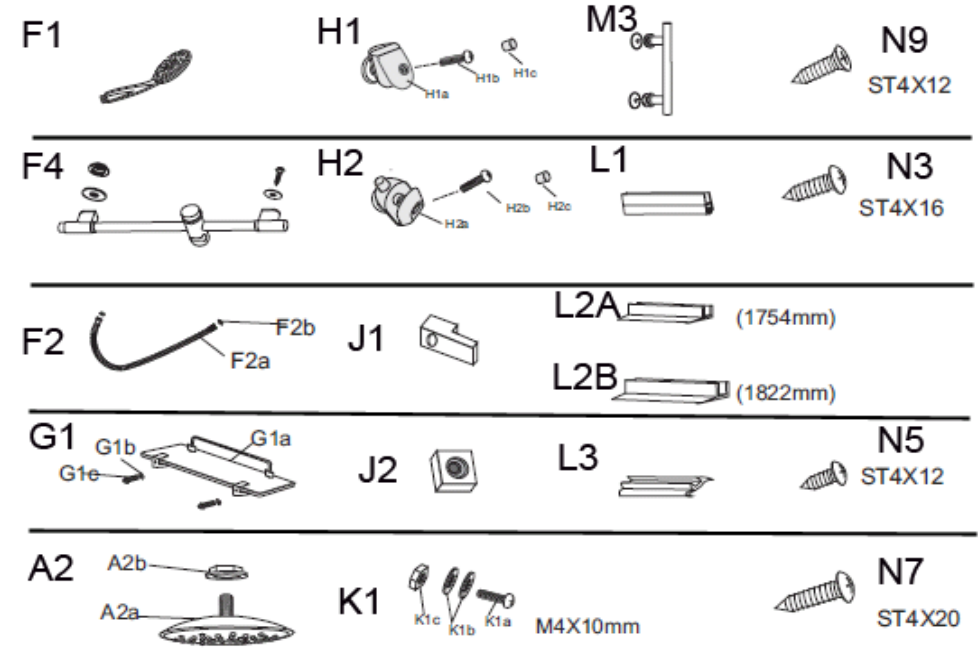
**Product must be installed in compliance with relevant Water Bylaws**

Parts



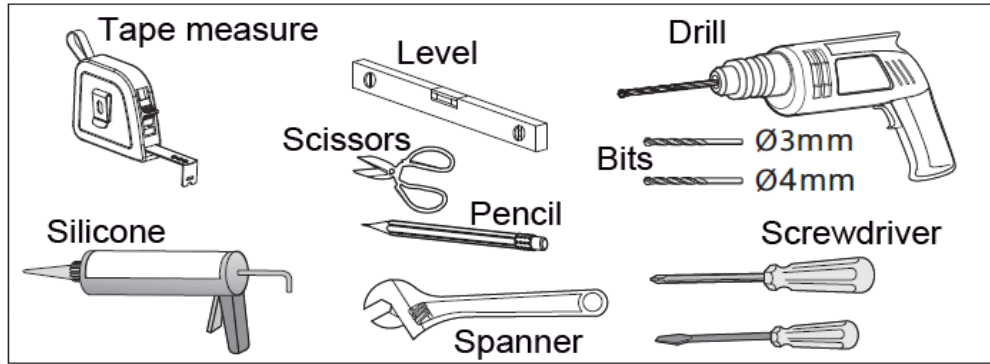
Part	Description	Qty
1	Top and bottom rail	1 Pair
2	Fixed panel profile	2
3	Fixed front panel	2
4	Door	2
5	Back Panel (Coloured)	2
6	Shower control panel	1
7	Cabin Roof	1
8	Shower tray	1

Parts



Part	Description	Qty	Part	Description	Qty
A2	Overhead shower and nut	1	N3	Back panel/frame screws	30
F1	Hand shower	1	N5	Roller stop screw	8
F2	Shower hose inc seal	1	N7	Rail screws	8
F4	Slide rail	1	N9	Retaining clip screws	4
G1	Glass shelf and brackets	1			
H1	Top fixed roller	4			
H2	Bottom spring roller	4			
J1	Glass retaining clip	4			
J2	Roller stop	8			
K1	Back panel screws	10			
L1	Magnetic door seals	2			
L2A	Fixed panel seal	2			
L2B	Door seal	2			
L3	Profile gasket seal	2			
M3	Door handle	2			

## Tools required

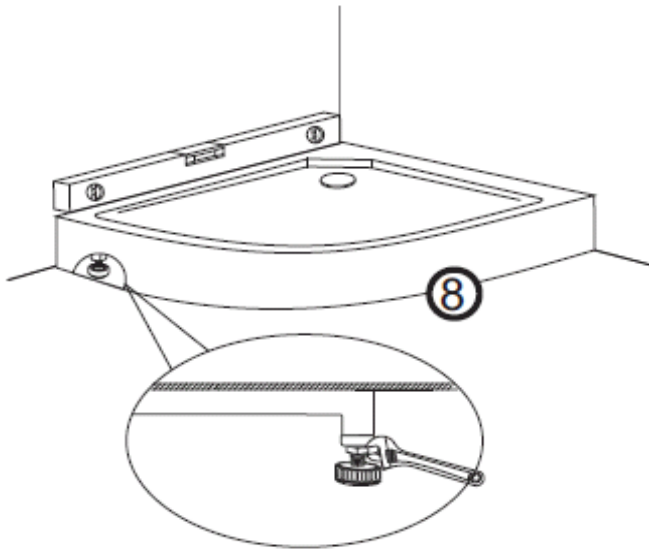


## Installation - Step 1

Access will be required to the rear during assembly !

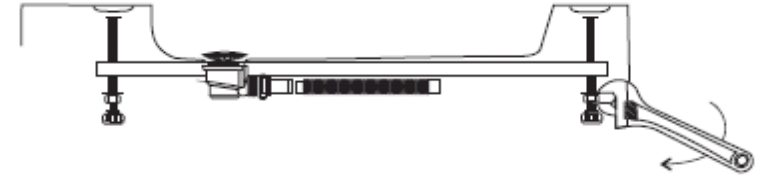
Lay the shower tray in the required location, this should be checked for level and if any adjustment is required, adjust the legs underneath the tray.

Once the tray is level and at the required height the legs should be secured by tightening the locking nut, using a spanner.



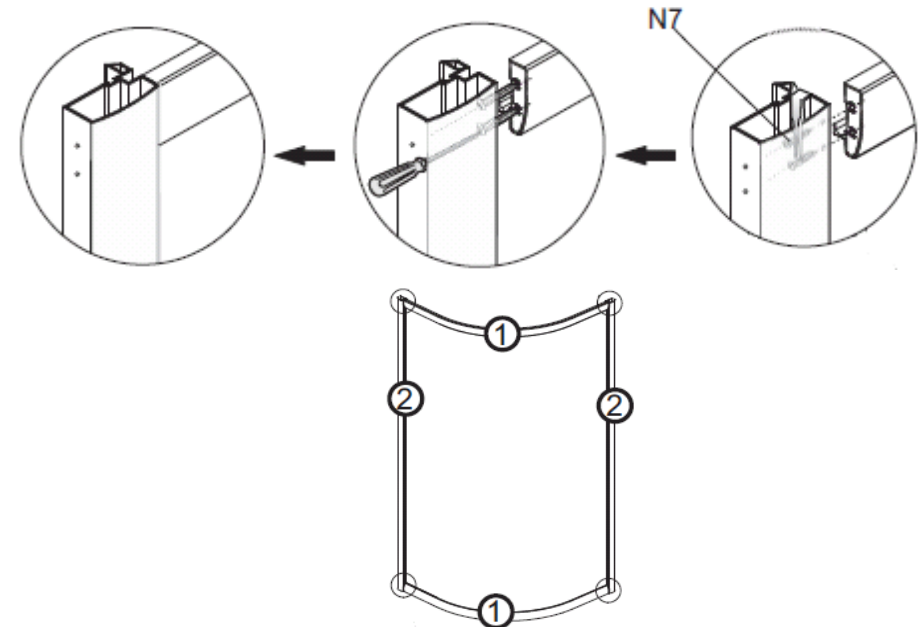
## Installation - Step 2

Once the tray has been adjusted and the legs secured, the waste flexi pipe should be connected to the domestic drainage system and checked for water tightness before full assembly is completed.



## Installation - Step 3

Connect the top and bottom rails (1) to the side profiles (2) using the screws (N7) ST4 x 20. Fit the screws through the side profile to connect to the rails.

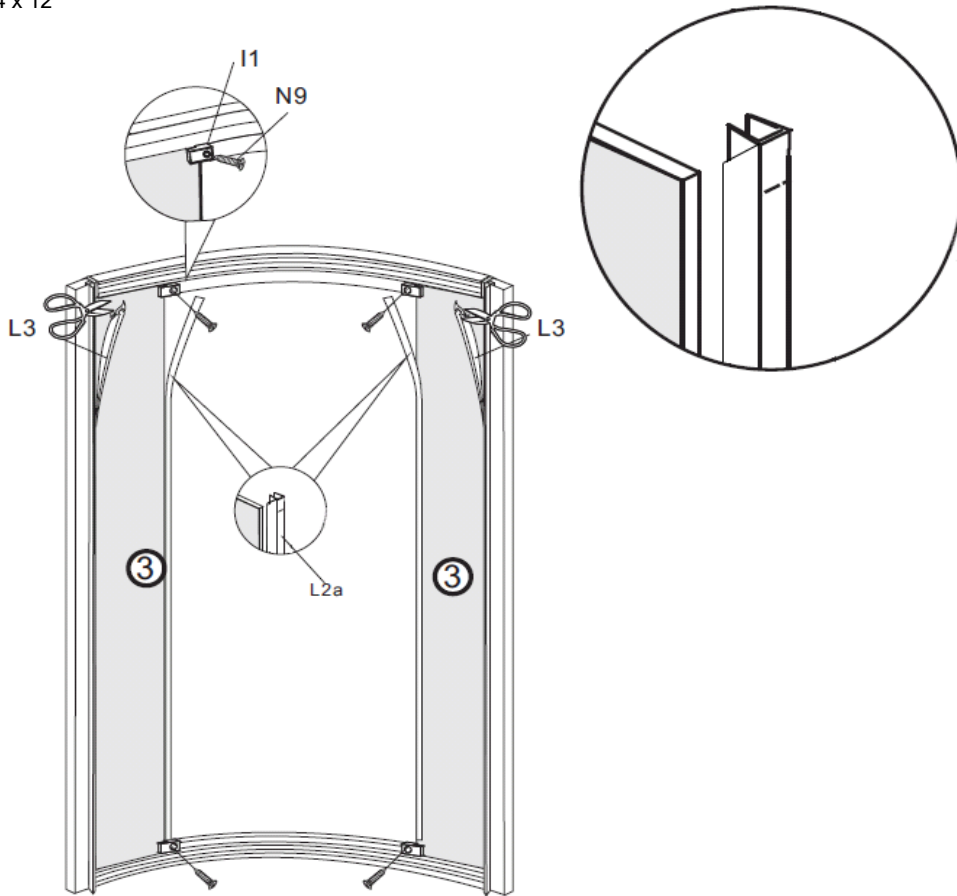


#### Installation - Step 4

Place the front glass panels (3) into the side profiles, ensuring these are fully inserted push in the glass gasket (L3) between the profile and the glass and push in fully to secure the glass, cut down to suit.

Fit glass seal (L2A) onto front panel with the fin facing inwards.

Secure the glass to the frame using the glass retaining clips (I1) and screws (N9)  
ST4 x 12



#### Installation - Step 5

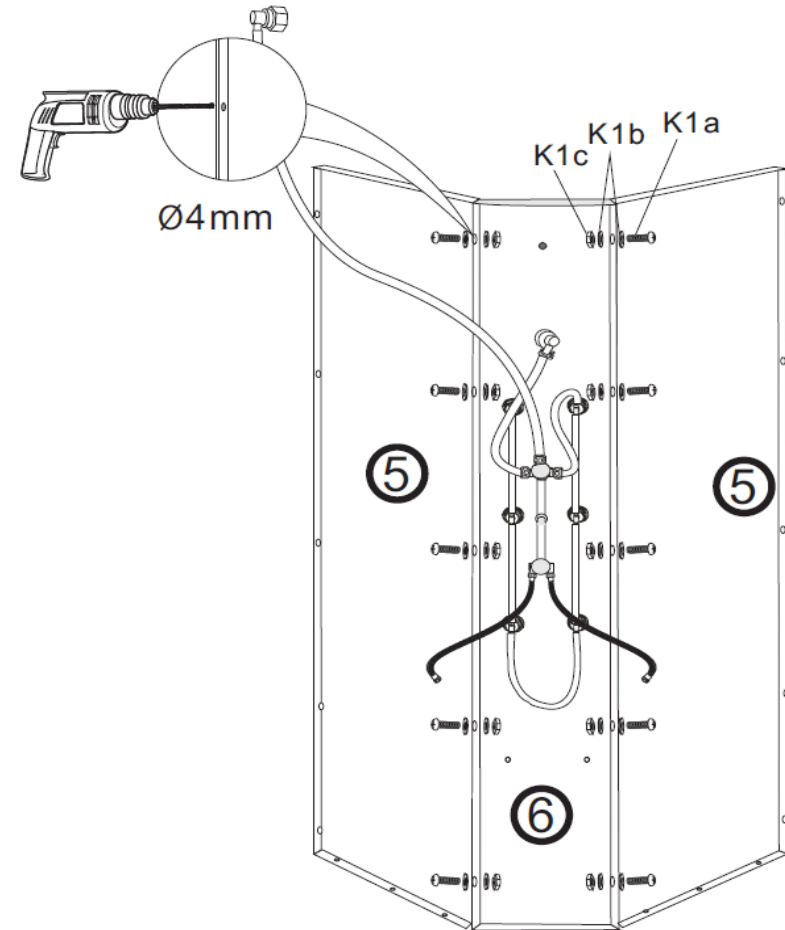
Place the rear panels (5) and the centre shower control panel (6) together.

Once these are correctly aligned, drill the frame at the rear using a 4mm drill bit.

Drill the frame in five positions equally spaced along the join.

Before screwing these together we recommend sealing each join to create a watertight seal.

Secure the panels together using fixing bolts K1 ( K1A-K1B,K1C)



### Installation - Step 6

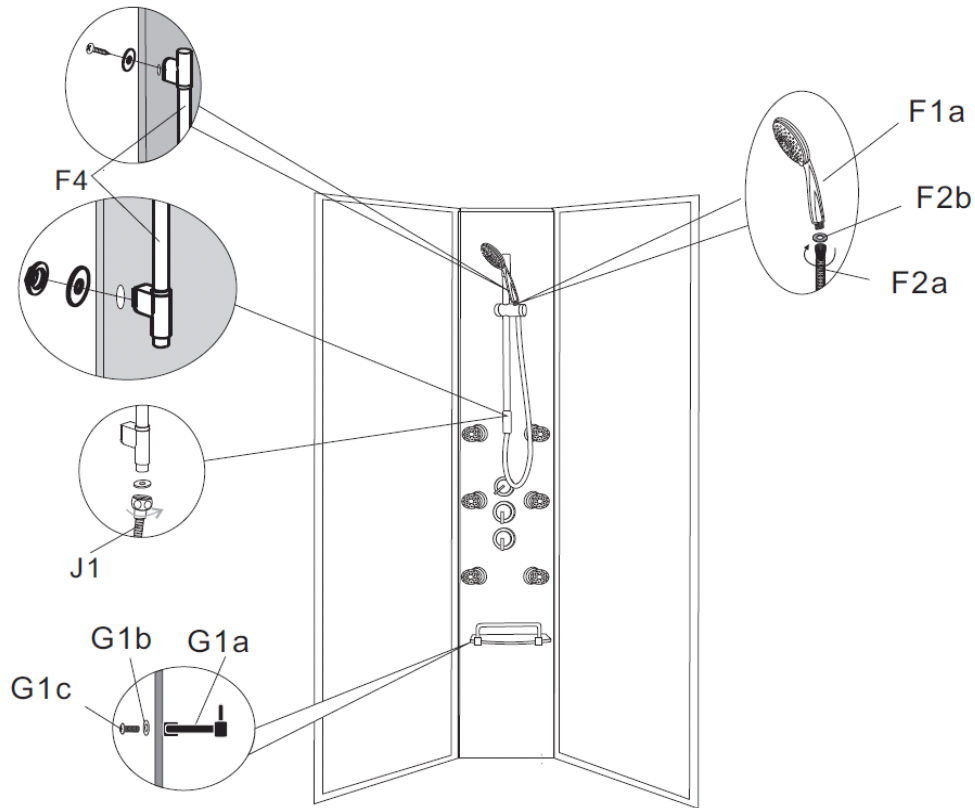
Offer the slide rail (F4) to the centre panel holes and secure the bottom bracket/outlet to the panel using the washer and nut provided.

Secure the top rail bracket to the panel using the screw and washer provided and tighten all connections.

Ensure the washers are fitted to each end of the shower hose and connect the nut end to the slide rail outlet.

Next connect the cone end of the hose to the hand shower, again tighten.

Secure the glass shelf to the panel using the screws and washers provided.

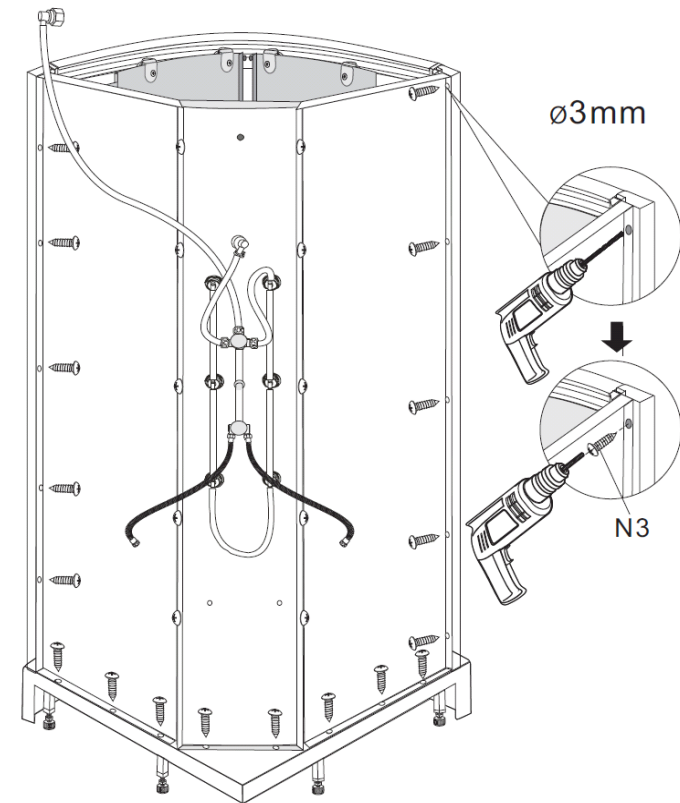


### Installation - Step 7

This part of the assembly may require two people.

Place the panels and the frame onto the shower tray, we recommend sealant is applied between the panels, frame and the tray.

Once positioned correctly, drill the tray and frame using a 3mm drill bit and secure together using screws (N3) ST4 x16



### Installation - Step 8

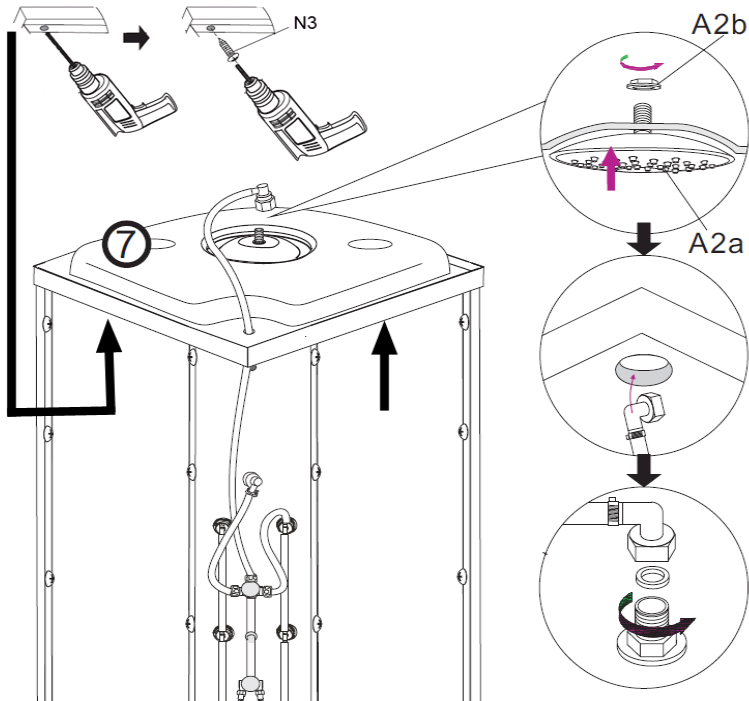
Place the roof (7) onto the frame and align.

Drill the frame and roof from the underside using a 3mm drill bit and secure roof to frame using screws provided (N3) ST4X16

Pass the long hose and elbow for the overhead through the hole in the roof.

From inside the enclosure pass the threaded connector on the overhead shower (A2A), through the roof and secure into position, using the nut provided (A2B).

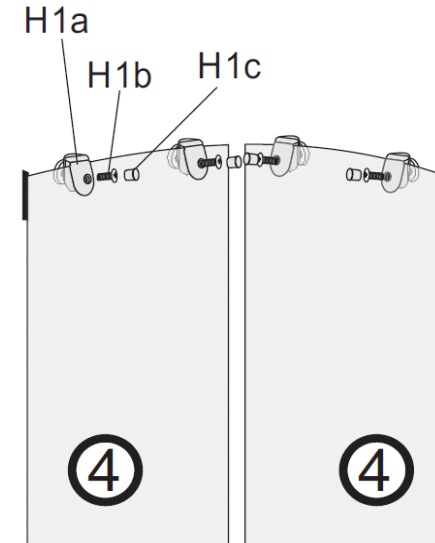
Next connect the pipe elbow to the threaded connector on the overhead shower and ensuring the seal is fitted, tighten.



### Installation - Step 9

#### IMPORTANT - FIXED ROLLERS FITTED TO TOP

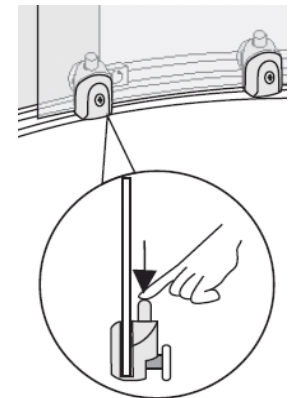
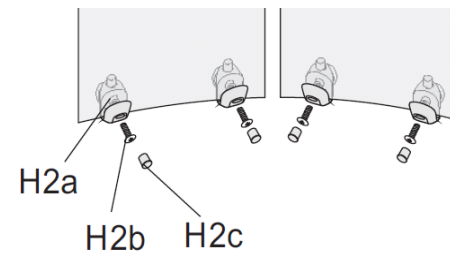
To fit the top (Fixed - H1) rollers, offer the roller to the door and connect through the glass using the screw provided, tighten and fit cover cap.



Fit the spring loaded rollers (H2) to the bottom of the door  
Secure them to the door using the screws and covers provided

Hook the door onto the top rail, then push the door towards the bottom rail.

Push down on the button and hook under bottom rail, then release.



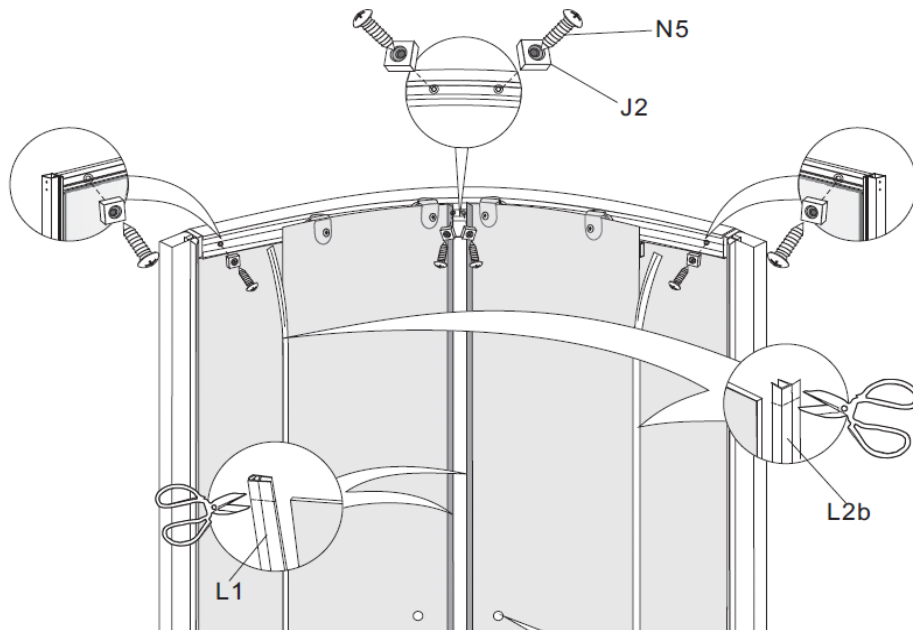
### Installation - Step 10

Once the doors are installed, the door stops (J2) need to be fitted.

Secure these to the frame using the screws provided (N5)

Fit the magnetic door seals (L1) to the edge of the door.

The door seals (L2B) should be fitted to the doors, as shown below with the fin facing outward from the tray.



### Installation - Step 11

Offer the door handle (M3) up to the holes in the doors, connect the handle through the glass and tighten using fittings supplied.



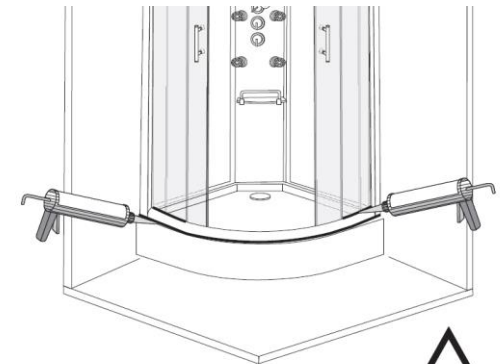
### Installation - Step 12

The next step is to seal the outside of the enclosure.

Once sealed do not sue for at least 24 hrs.

Finally before positioning the enclosure in its required location, the flexi supply pipes on the rear should be connected to the water supply pipes.

Hot on left - Cold on right.



# Guarantee

Your product comes with a 1 year guarantee when installed, used and cleaned in accordance with this manual.

## **Not covered by the guarantee is:**

- Breakdown due to -
  - a) Use other than domestic
  - b) Wilful act of neglect
  - c) Any malfunction resulting from incorrect use
  - d) Incorrect setting of controls
  - e) Any malfunction resulting from poor water quality
- Repair costs for damage caused by foreign objects or substances
- Total loss of the product due to non-availability of parts
- Compensation for loss of use of the product or consequential loss of any kind.
- Call out charges where no fault has been found with the product.

Your product comes with a 1 year guarantee when installed, used and cleaned in accordance with this manual.

## **Not covered by the guarantee is:**

- The cost of repair or replacement of pressure relief devices, spray heads, hoses, riser rails and/or wall bracket or any other accessories installed at the same time.
- The cost of routine maintenance, adjustments, overhaul, modifications, loss or damage, arising therefrom, including the cost of repairing damage, breakdown, malfunction caused by corrosion, furring, pipe scaling, lime scale, system debris or frost.