

Cleaning

All chrome surfaces should be cleaned using a clean damp cloth.

No abrasive cleaning agents or materials should be used.

General glass cleaner can be used for the screen, but ensure that this will not damage the chrome, check the cleaning information on the product before use.

Guarantee

Your product comes with a 1 year guarantee when installed, used and cleaned in accordance with this manual.

Telephone
0844 484 7678

L Shaped Fixed Bath Screen



Please retain this manual after installation for future reference and maintenance.

Images are for installation purposes only.



IMPORTANT

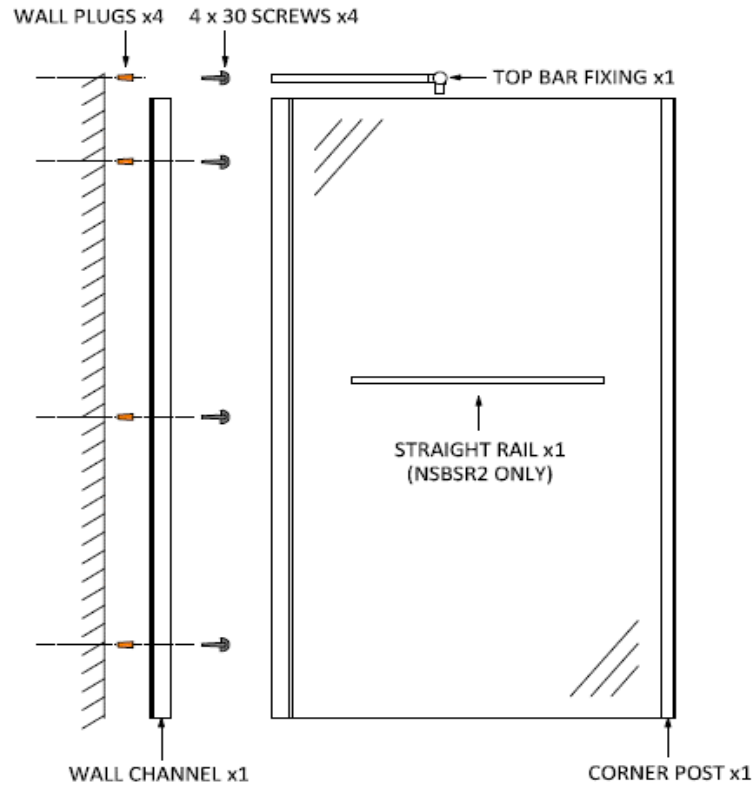
Handle with care, impact can damage both the glass and frame

Check for pipes and wires prior to drilling

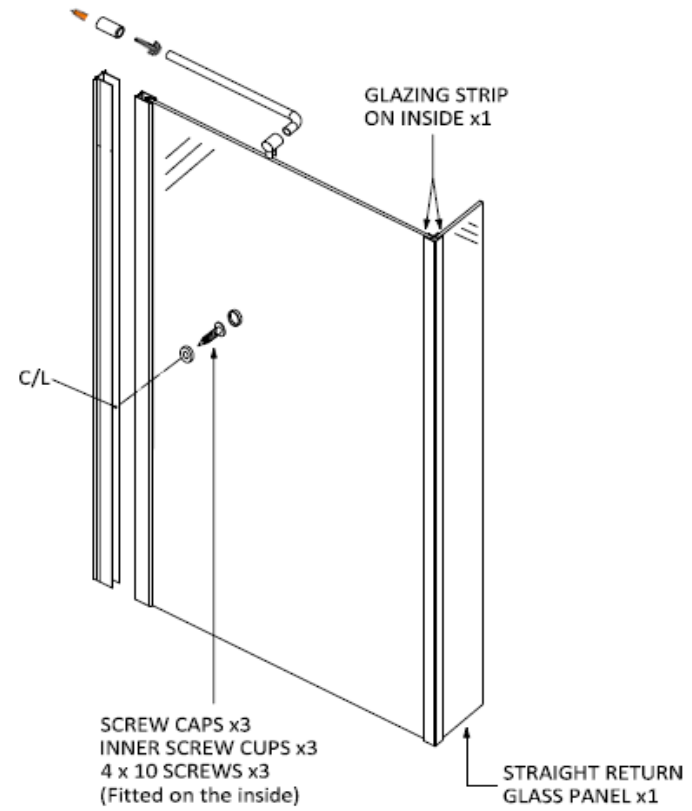
Use of safety equipment is advised

Two people may be required for parts of the installation

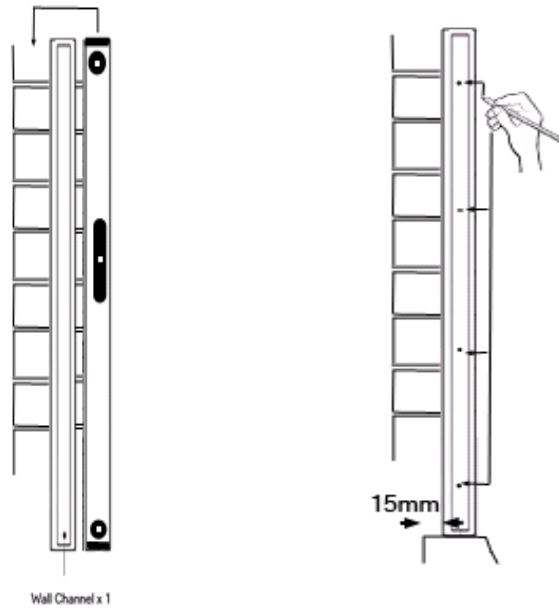
Parts



Parts



Installation

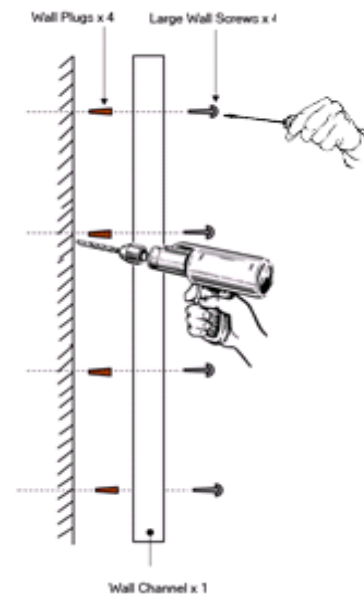


Place the wall channel onto the edge of the bath approx 15mm in from outer edge, against the finished wall surface.

Using a spirit level check that the wall channel is vertical on either side.

Once the position has been set, mark the channel drill holes for drilling

Installation



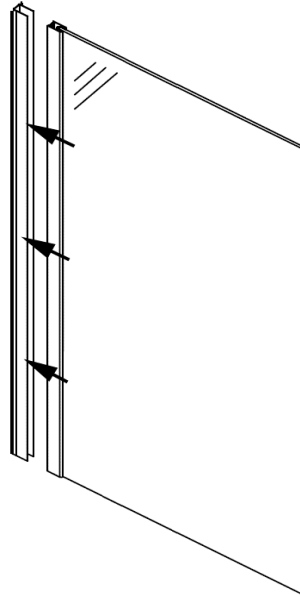
Remove the wall channel

Drill the holes and insert the plugs, tap in so flush with finished wall.

Sealant can be applied between the wall channel and the wall.

Place the wall channel against the wall and secure the wall channel, using the screws provided.

Installation

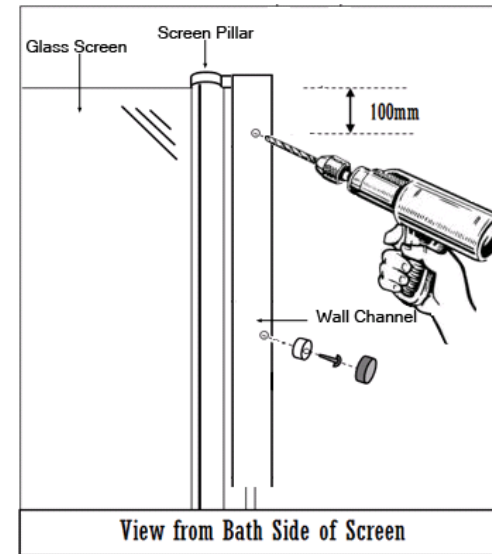


Slide the main screen into the wall channel.

Ensure this is vertical, this may require two people and drill the assembly

Please ensure sufficient glass profile is inserted into the wall channel so that a sufficient fixing can be achieved.

Installation



Drill through the wall channel and profile from inside the shower screen.

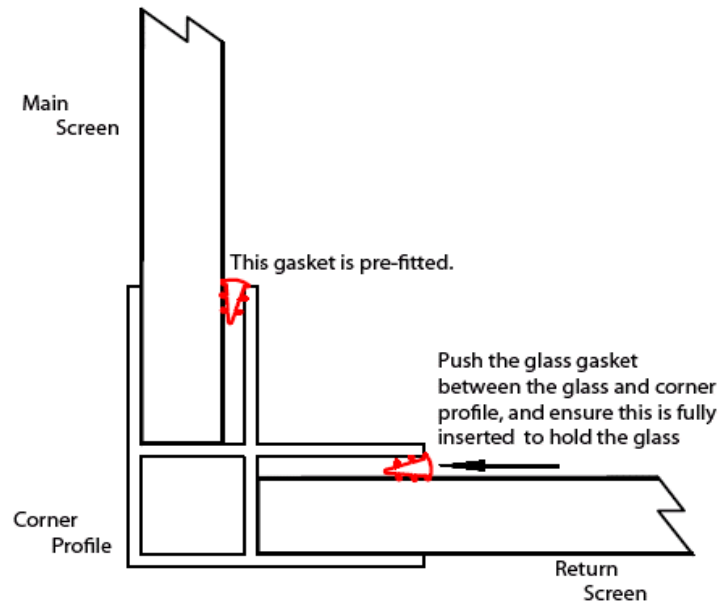
DO NOT DRILL THROUGH BOTH SIDES OF THE ASSEMBLY

Drill the top and bottom holes 100mm from each end then the remaining two holes, equally spaced.

Once drilled secure the side pillar into the wall channel using the 10mm screws and cups provided.

Then fit screw covers

Installation

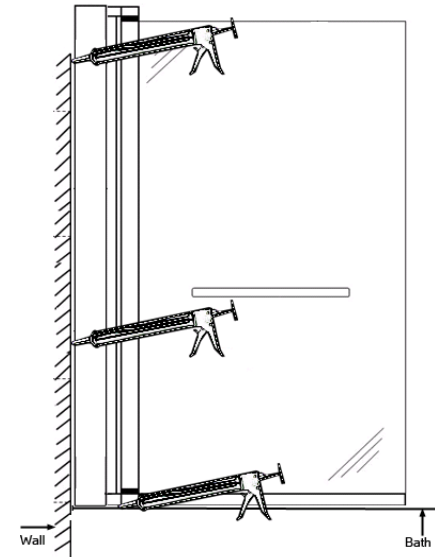


The corner profile will be received fitted to the main screen.

Attach the return screen to the corner profile and push in the gasket.

Ensure that this gasket is fully inserted to hold the glass into the profile.

Installation



Once the assembly is completed, you should then seal the outside only of the screen.

Seal down the side of the wall channel and along the bottom edge of the screens

Do not use the screen for a least 24hrs to allow the sealant to dry fully.

Guarantee

Your product comes with a 1 year guarantee when installed, used and cleaned in accordance with this manual.

Not covered by the guarantee is:

- Breakdown due to -
 - a) Use other than domestic
 - b) Wilful act of neglect
 - c) Any malfunction resulting from incorrect use
 - d) Incorrect assembly/installation

- Repair costs for damage caused by foreign objects or substances
- Total loss of the product due to non-availability of parts
- Compensation for loss of use of the product or consequential loss of any kind.
- Call out charges where no fault has been found with the product.
- The cost of repair or replacement of any accessories installed at the same time.
- The cost of routine maintenance, adjustments, overhaul, modifications, loss or damage, arising therefrom, including the cost of repairing damage, breakdown, malfunction caused by incorrect use, assembly or maintenance