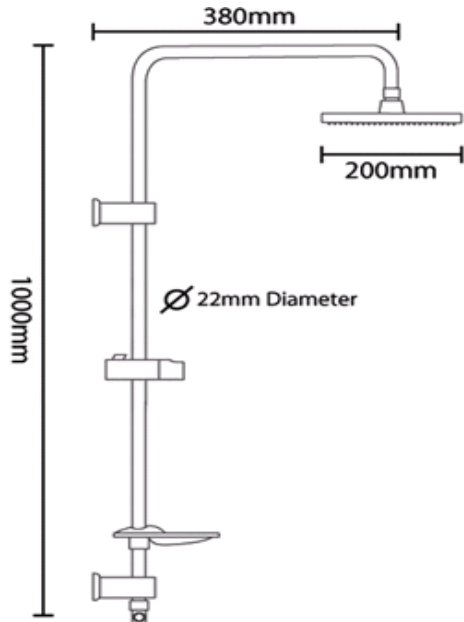


Product Specification

Minimum Working Pressure	1.0 bar
Maximum Working Pressure	5.0 bar
Connections	1/2"
Rail Diameter	22mm
Handset	Number of functions on handset: 5 - Spray - Mist - Massage - ECO spray - Pause
Hose	1.5m to handset 800mm mixer to diverter



Vision Riser Rail Kit



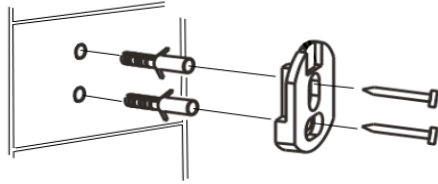
Please retain this manual after installation for future reference and maintenance.

Product must be installed in compliance with relevant Water Bylaws

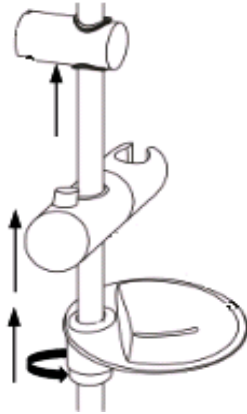
Telephone
0844 484 7678

Installation

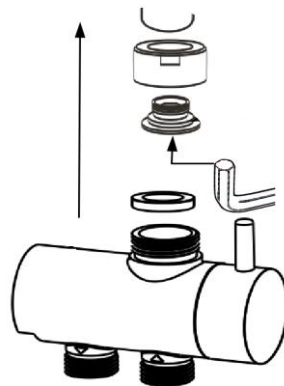
Mark position of mounting bracket locations on wall, ensuring not to damage any pipes or wires.
 Drill holes and insert plugs.
 Fit mounting brackets to wall.



Fit adjustable rail bracket first, to rail.
 Fit slider to rail, ensuring to press button when sliding, with the wider opening on the holder upwards.
 Fit the soap dish to the rail and secure by twisting the grey grip underneath the soap dish



Place the round chrome nut onto the rail.
 Fit the brass adaptor with o rings into the end of the rail and tighten using an allen key.
 Fit rubber washer into the chrome nut.
 Connect diverter to the rail nut and tighten, ensure that the diverter is aligned with the rail.



Cleaning

The product should be cleaned using a soft damp cloth, no abrasive agents or materials must be used, or this will invalidate your guarantee.

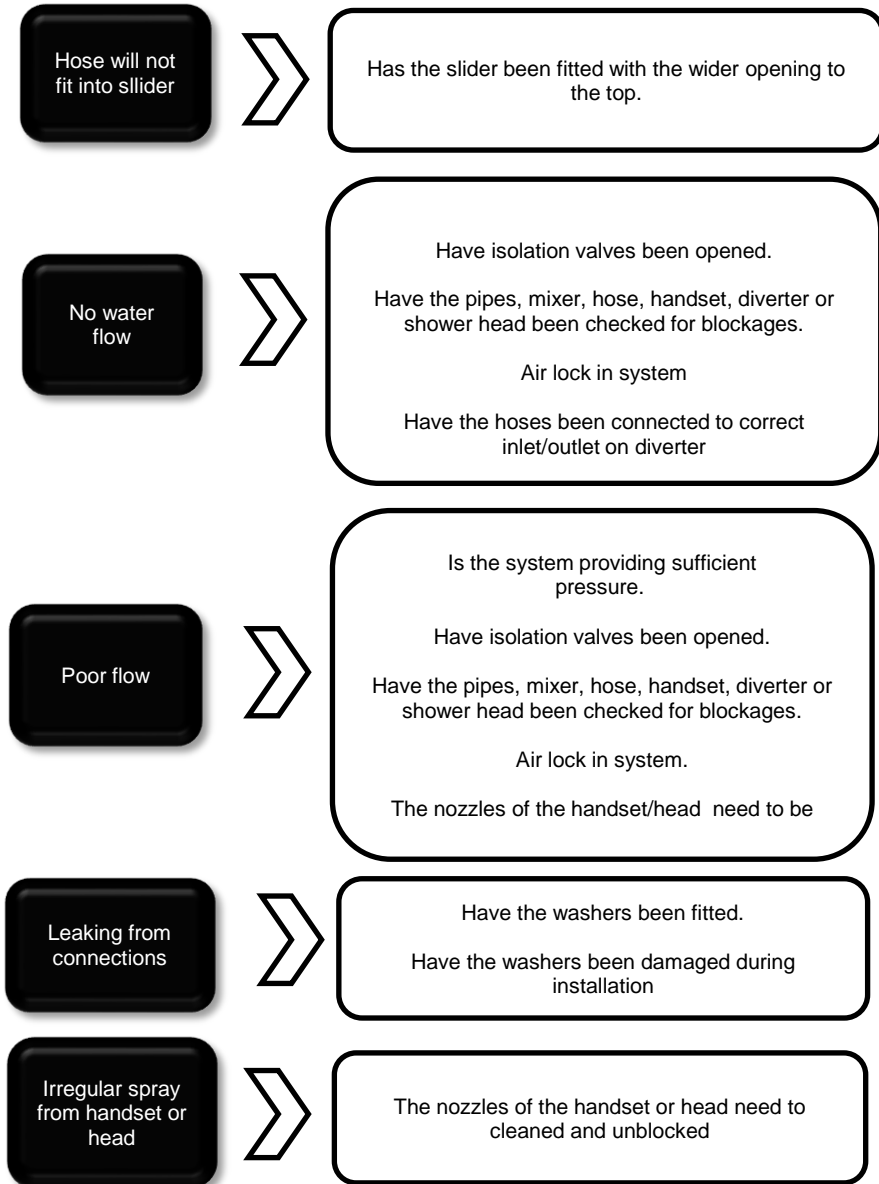
Guarantee



Your product comes with a 1 year guarantee when installed, used and cleaned in accordance with this manual.

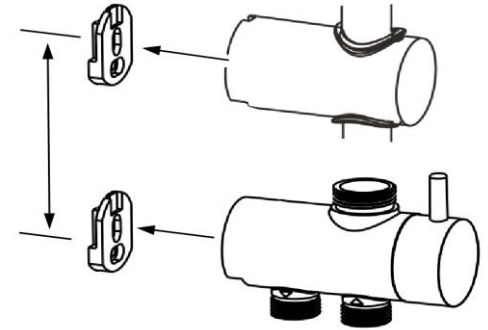
Box Contents

Contents		Qty
P0010-1	Diverter rail seal	1
P0015-1	Wall screws	5
P0015-3	Slider	1
P0017-4	Adjustable bracket	1
P0018-1	Adjustable bracket screw pad	1
P0019-1	Wall plugs	4
P0022-1	Hose seals	5
P0023-1	1.5m hose	1
P0023-2	800mm hose	1
P0024-2	Soap dish	1
P0025-1	Rail brass seat	1
	Rail brass seat o ring	1
	Rail nut	1
P0027-1	Diverter	1
P0028-1	Mounting brackets	2

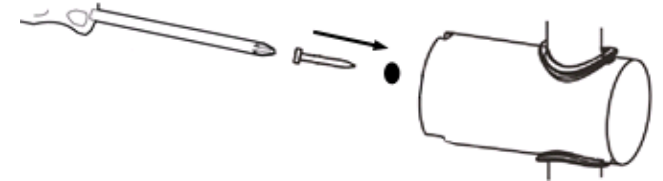


Installation

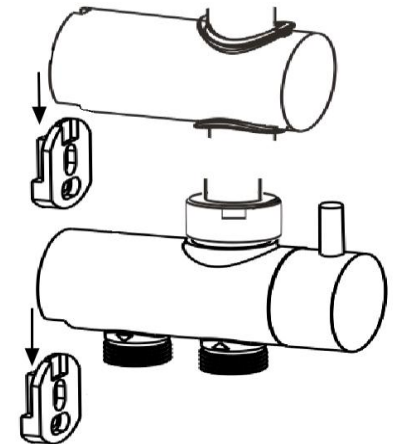
Measure distance between the two fitted brackets on the wall.
Position top adjustable bracket so that it will align with the top bracket.



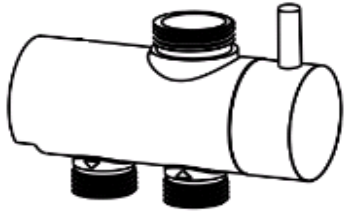
Once positioned correctly secure the top bracket to the rail, by tightening the screw into the back of the bracket, ensure that the black rubber plug is fitted or the screw will damage the rail, do not overtighten



When the bracket is positioned, lift the rail assembly and place it against the wall and slide the diverter and rail bracket over the secured mountings fixed to the wall, until they click into position.



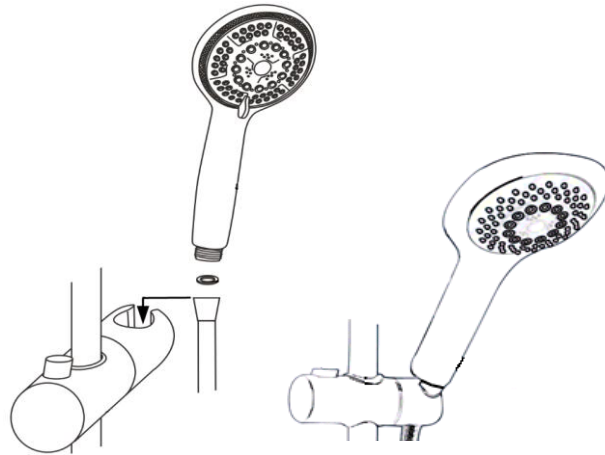
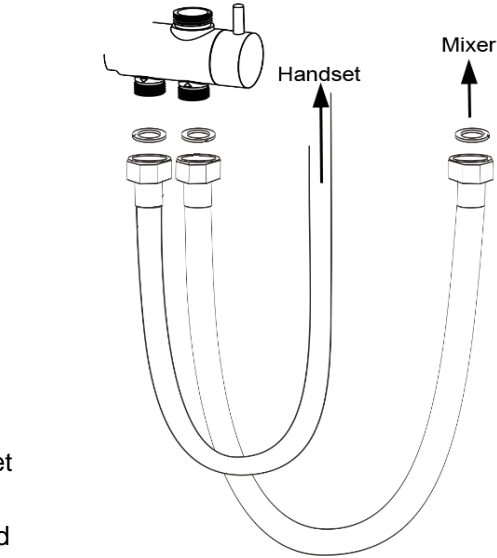
Installation



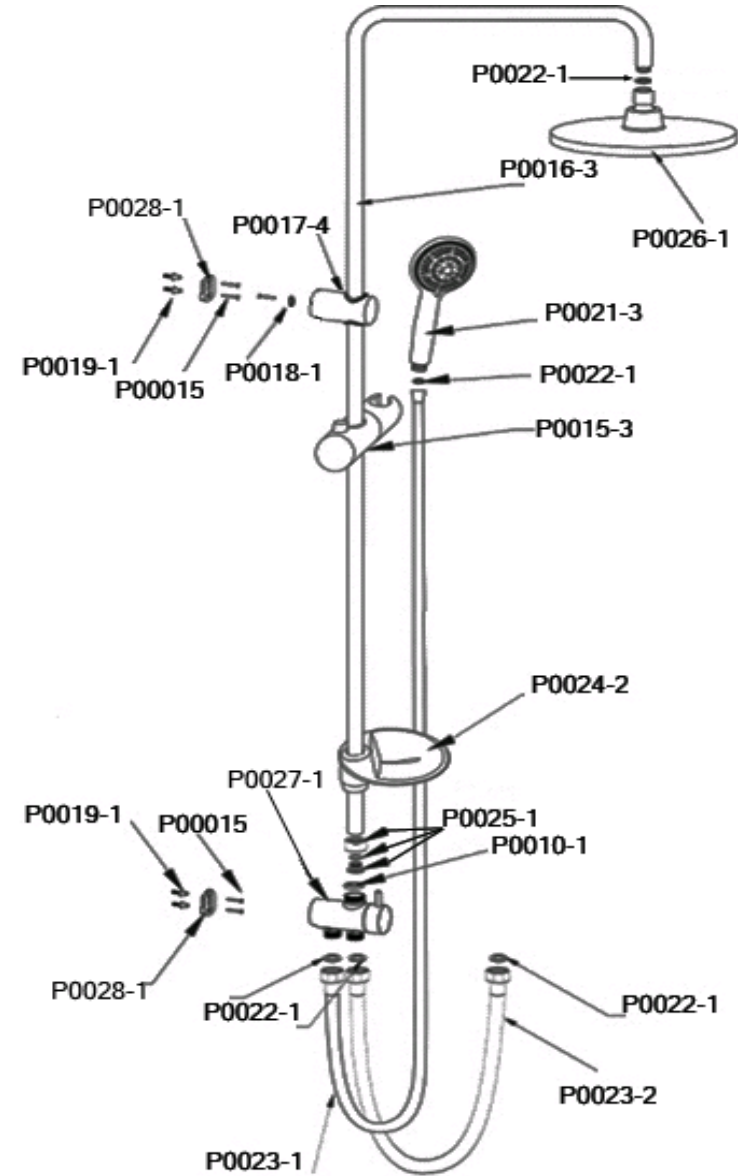
Place seals into hose ends.
 Connect long hose to thread to rear of diverter indicated by the arrow pointing downwards.
 Connect opposite end to the handset

Connect the short hose to the thread at the front of the diverter indicated by the arrow pointing upwards, the opposite end should be connected to the mixer.

Place the hose filter seal into the cone of the hose.
 Connect the handset to hose.
 Fit cone of the hose into the handset holder on the slider.

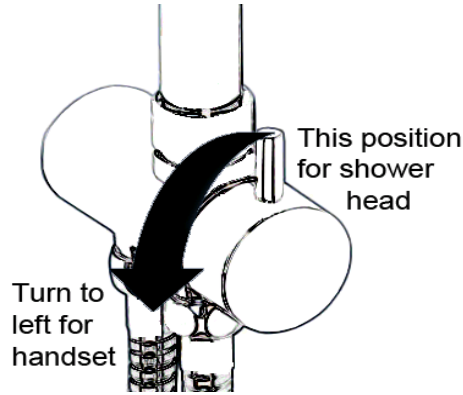


Parts



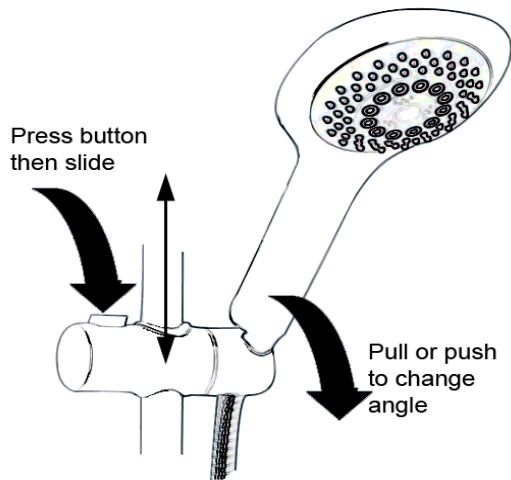
Operation

To divert the flow between shower head and handset, turn the small lever on the diverter.



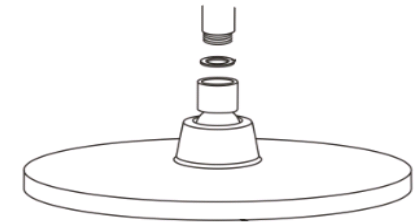
To adjust the height of the handset, press the button on the slider and push the slider bracket until required height is reached and release the button (do not move the slider without pressing the button)

To adjust the angle of the handset in the holder, gently pull the handset just above the slider bracket.



Installation

Place the filter seal into the swivel joint of the shower head.
Connect shower head to arm and tighten.



Operation

As the handset has 5 modes, to select the required spray, hold the small lever and turn, until desired spary pattern has been reached.

