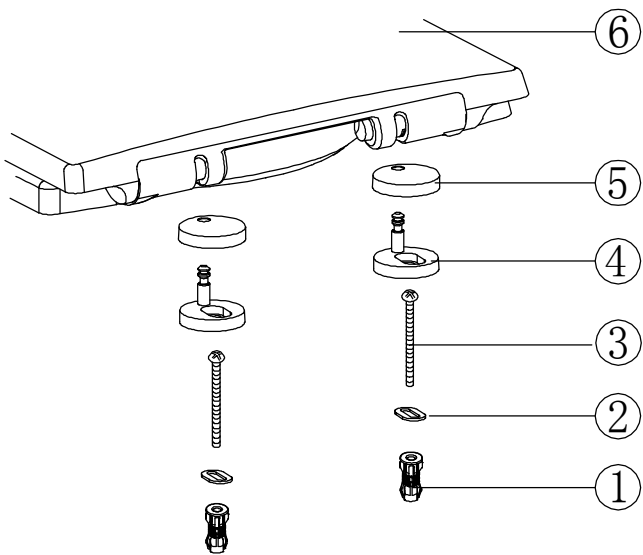
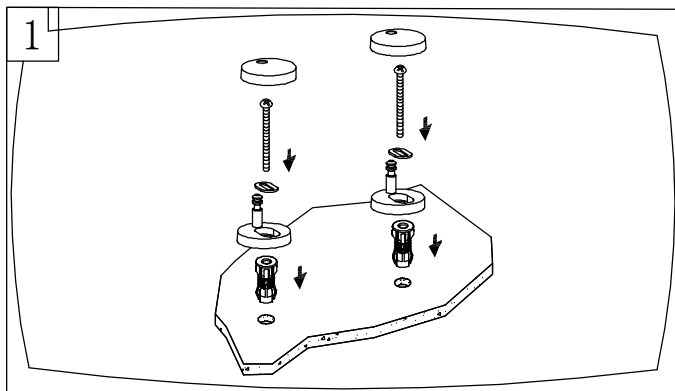


This instruction is used on code:10032

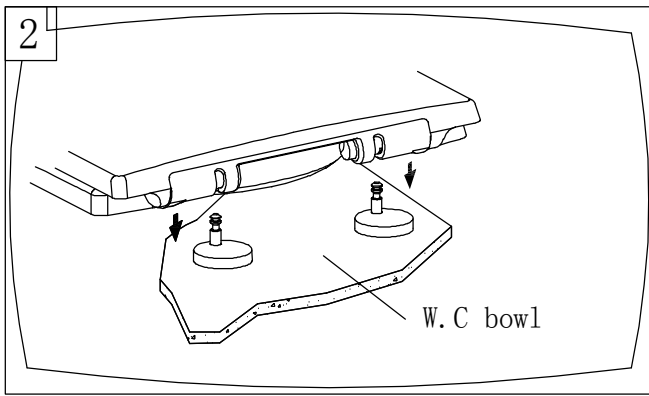
Thank you for using our products. In order to install our product, please follow the instructions below and check all components are present before commencing. Prepare all the needed tools and materials for installation.



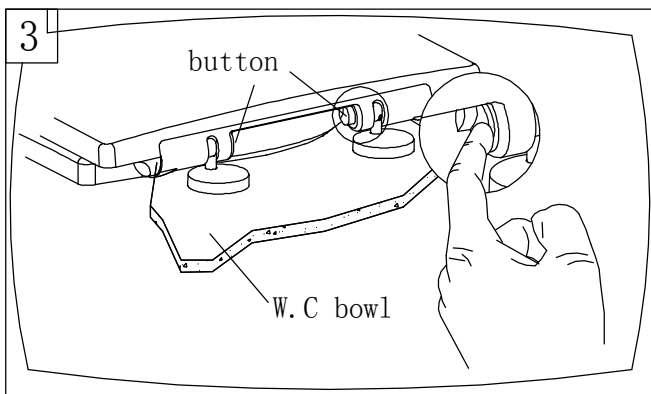
①	expanding plug	⑤	hinge cover
②	adjustment plate	⑥	toilet seat & cover
③	screw		
④	hinge		



1. Fit the adjustment plate into the hinge, then place the screw through this assembly. Before full tightening, make the necessary adjustments to align the pins with the seat and so that the seat fits correctly on the toilet. Push the plugs through the holes in the toilet and then to tighten the screw into the plug until secure. Then fit the hinge covers.



2. After completing step 1 and checking again that the holes on the seat align with the pins on the hinge. Push the seat onto the pins until it clicks into place.



3. To remove the seat, push both buttons on the seat and lift upwards.

Importance:

- * After installation ensure the fixings are fully secured
- * No abrasive cleaning agents or materials can be used, a soft clean cloth should be used
- * During use do not push the seat down, as this will cause damage to the soft close mechanism

For further details or advise call Customer Services on 0844 484 778