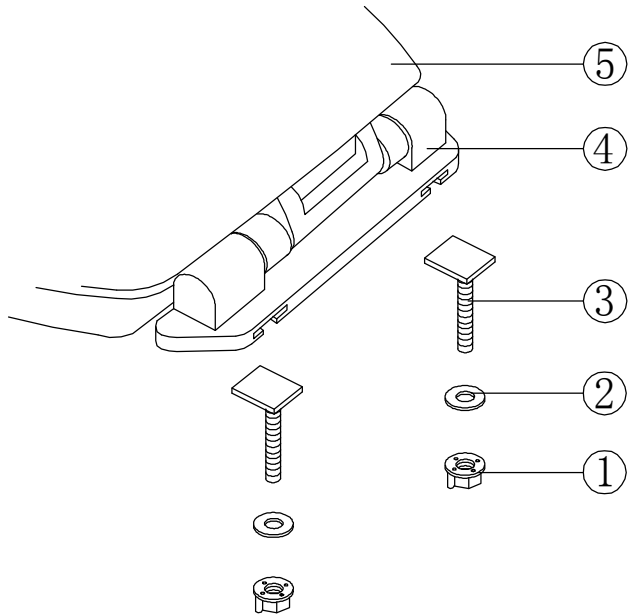


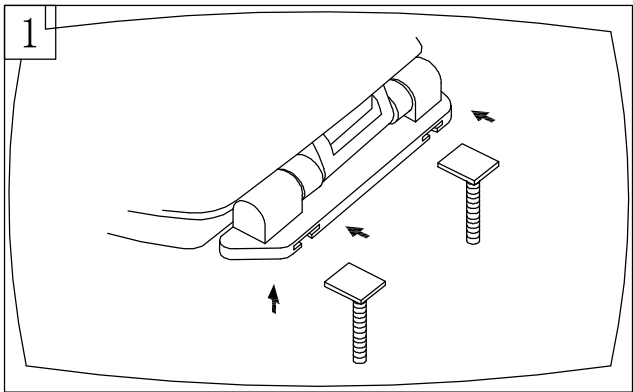
This instruction is used on code:10034

Note: Seat may require installation before fitting of the pan, please check!!!

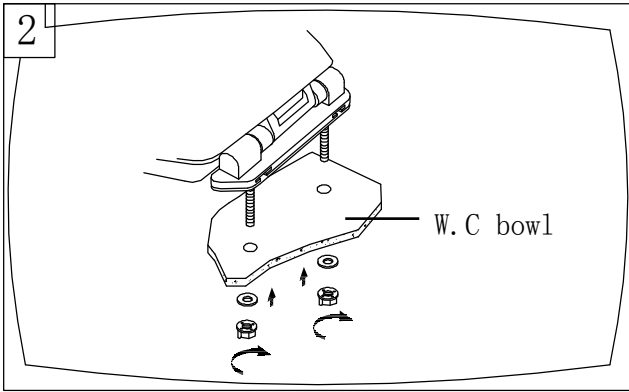
Thank you for using our products. In order to install our product, please follow the instructions below and check all components are present before commencing. Prepare all the needed tools and materials for installation.



①	nut	④	hinge
②	PP washer	⑤	toilet seat
③	screw		



1. Fit the screw into the hinge



2. Align the screws with the holes on the pan  
Once located make any necessary adjustments  
Fit the washer and nut and secure into position

**Importance:**

- \* After installation ensure the fixings are fully secured
- \* During use do not push the seat down, as this will cause damage to the soft close mechanism
- \* No abrasive cleaning agents or materials can be used, a soft clean cloth should be used

For further details or advise call Customer Services on 0844 484 778