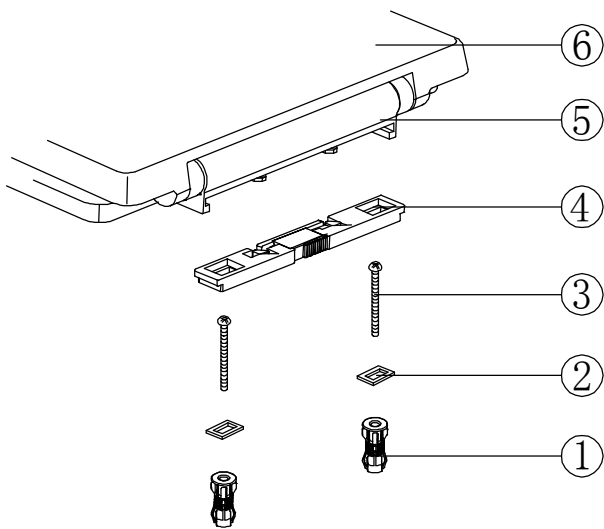
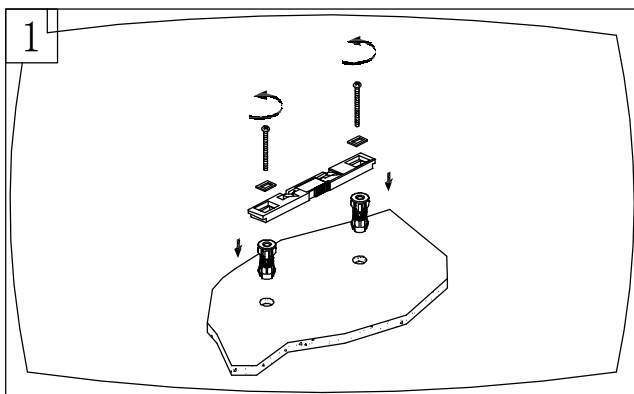


This instruction is used on code:10035,11269,MTCU-74

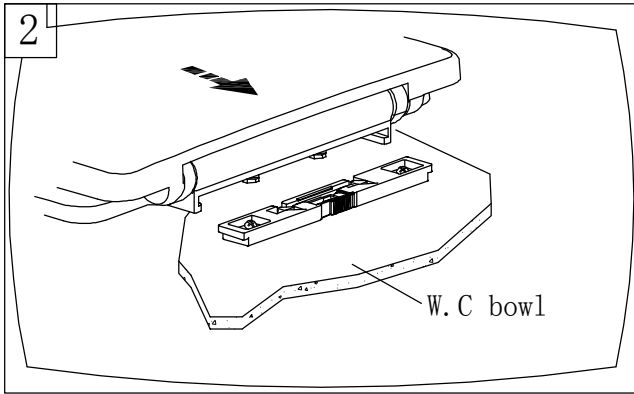
Thank you for using our products. In order to install our product, please follow the instructions below and check all components are present before commencing. Prepare all the needed tools and materials for installation



|   |                  |   |                       |
|---|------------------|---|-----------------------|
| ① | expanding plug   | ④ | fixing plate          |
| ② | adjustment plate | ⑤ | hinge                 |
| ③ | screw            | ⑥ | toilet seat and cover |
|   |                  |   |                       |



1. Locate adjustment plate and screw into fixing plate. Push the expanding plugs into the holes on the toilet. Locate the screws into the plugs and tighten, before fully tightening make any necessary adjustments to align the seat on the toilet.



2. Slide the seat on to the fixing plate until fully located.

**Importance:**

- \* After installation ensure the fixings are fully secured
- \* No abrasive cleaning agents or materials can be used, a soft clean cloth should be used
- \* During use do not push the seat down, as this will cause damage

For further details or advice call Customer Services on 0844 484 778