

Cleaning

The product should be cleaned using only a soft damp cloth.
Use of abrasive cleaning agents or materials will invalidate your guarantee.

Guarantee

Your product comes with a one year guarantee, which is valid, if installed, cleaned and maintained correctly.

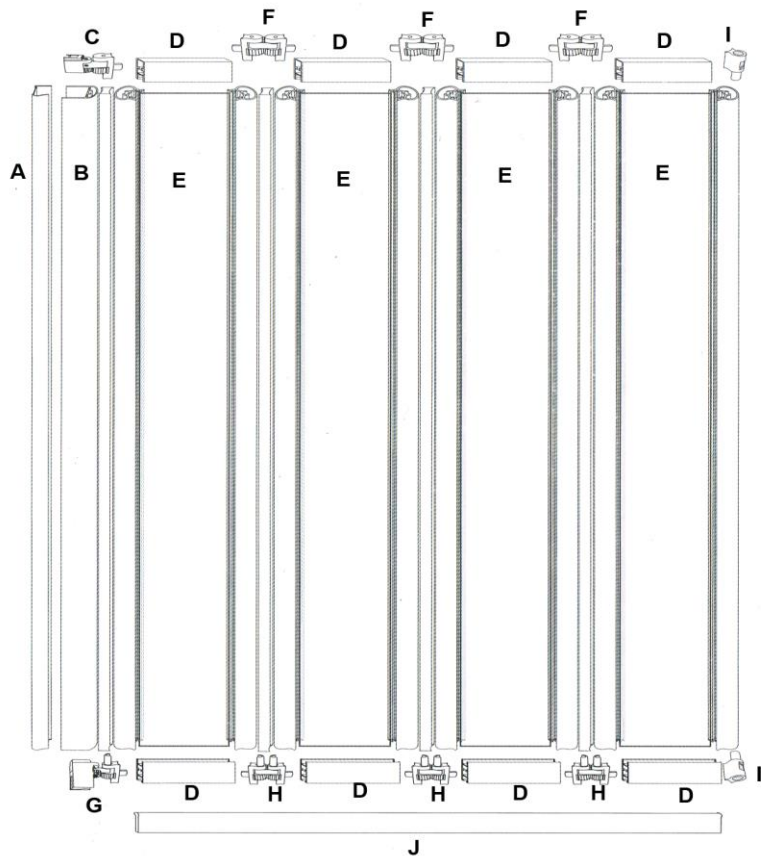
Customer Service

0844 484 7678

4 Fold Bath Screen



Parts



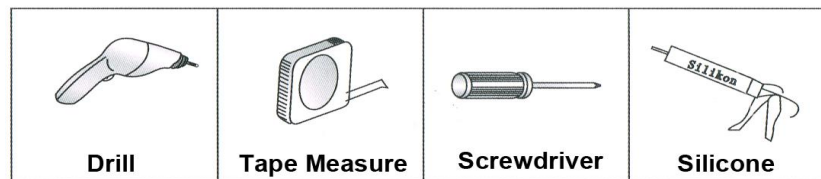
- K 
- L 
- M 
- N 
- O 

Parts

A	Wall Channel	1
B	Frame Profile	1
C	Top Profile Hinge	1
D	Glass Covers	8
E	Glass Screen Including Profiles	4
F	Top Pivot Joints	3
G	Bottom Profile Hinge	1
H	Bottom Pivot Joints	3
I	Profile End Caps	2
J	Bottom Seal	1
K	25mm Screws	4
L	12mm Screws	4
M	Wall plugs	4
N	Screw cover caps	4
O	Screw collar	4

Please note parts B, C, D, E, F, G, H, I and J will be received assembled and are not separate components requiring assembly by the installer.

You will require the following tools for this assembly.



Installation

On receipt of your product, please open the package and check that all components are present, if not contact us immediately.

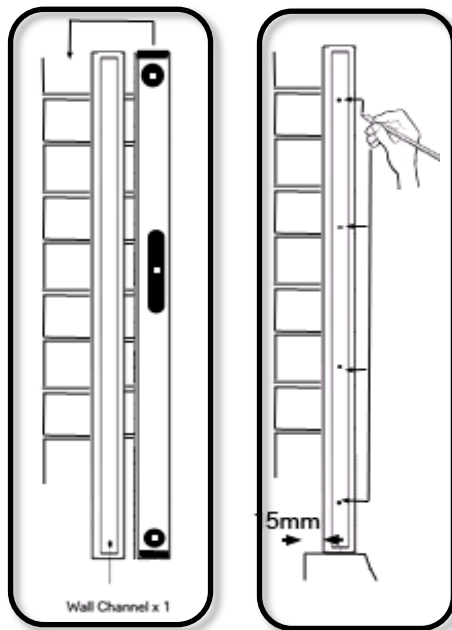
Please install this screen in accordance with these instructions, as failure to do so may affect its performance.

We recommend that two people carry out the installation of this screen.

Before drilling the walls, ensure that no pipes or wires can be damaged.

Place the wall channel (Part A) onto the bath approximately 10-15mm in from the outer edge.

Using a level ensure the wall channel is vertical, then mark the drill holes



3

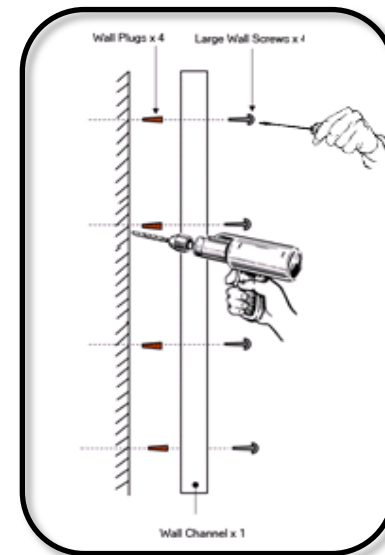
Installation

Remove the wall channel from the wall and drill the holes in the wall using a suitable drill type for your wall.

Once drilled insert wall plugs and tap in until flush with the finished wall surface.

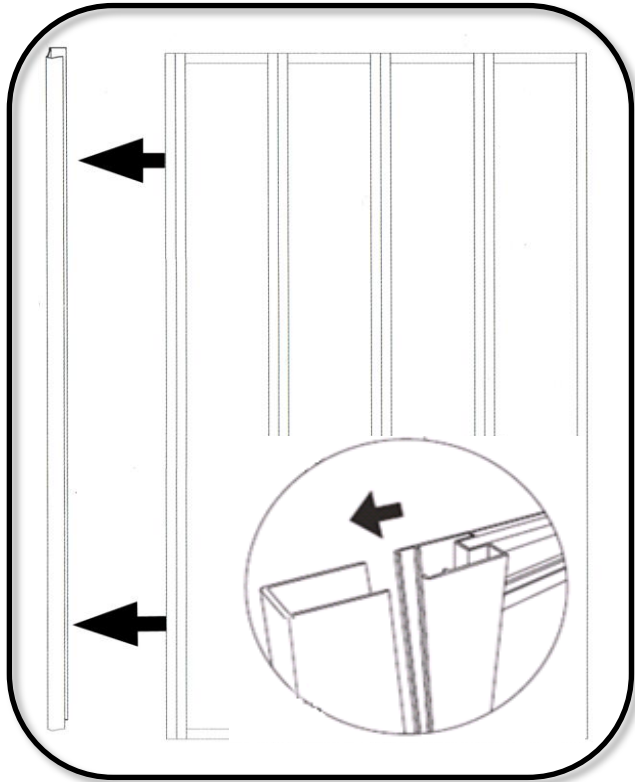
Before fitting the wall channel, silicone can be applied between the channel and the wall.

Place the wall channel over the drill holes and fit the 25mm screws and secure channel into position.



4

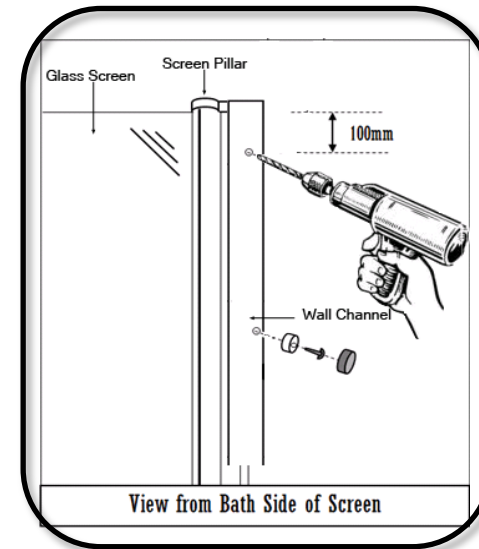
Installation



Once the wall channel has been secured, lift the door onto the bath and push the profile into the wall channel.

Ensuring the door is level, adjust this within the wall channel to the required position, but ensure sufficient profile remains with the wall channel for the screw to secure the two together.

Installation



After positioning the door within the wall channel, the assembly needs to be secured together.

To do this, drill through both the wall channel and profile from the inside, ensuring not to drill through to the outside.

Once drilled, fit the 12mm screws with the screw collar into the screw holes and secure.

When all screws and collars are fitted, push on the chrome cover caps.

To finish we recommend sealing the bottom edge and vertical edge of the wall channel, on the outside only.

Do not use the screen for at least 24 hours to allow the sealant to dry properly.