



This product is suitable for installation in zones:

2 & Outside Zone

All installations must comply with guidelines which are based on a zonal concept. The diagram above illustrates this concept and must be followed to ensure the safe installation of electrical appliances in the bathroom. These regulations apply to domestic installations only. Installations must be made in accordance with the current IEE wiring regulations and relevant building regulations. HiB recommends that all electrical bathroom products should only be fitted by a suitably qualified, Part P registered electrician.

Installation

1. Position the mirror in a suitable location (according to the zonal diagram, Fig. 1), ensuring that the domestic electrical mains supply is within reach of the electrical entry point of the product.
2. Carefully mark the position of the mirror using a soft pencil.
3. Remove from wall and detach mirror from the frame by removing screws on the exterior of the frame.
4. Mark the drilling locations onto the wall according to the mounting points diagram (Fig. A). **Please ensure that all marked mounting points accurately match up with the fixing points on the mirror.**
5. Before drilling, ensure there are no hidden cables or pipes behind the mounting points. Using a masonry drill, drill holes in the marked positions to a suitable depth. If drilling through tile, use a ceramic drill bit.
6. Insert wall plugs level with the surface of the wall. If fitting to a tiled surface, wall plugs should be inserted below the tile surface to avoid cracking. *NB. For plasterboard walls, specialist fixings should be purchased, available from any DIY or hardware store.*
7. **Ensure the domestic electrical mains supply to which the mirror is being connected is turned off.** Feed the domestic mains supply wire through the grommet on the mirror frame.
8. Hold the frame in position, and screw through the holes in the frame into the wall plugs.
9. Connect the domestic mains supply to the terminal box according to the wiring diagram (Fig. B).
10. Ensure the heated pad cable is connected and reattach the mirror to the frame.
11. Switch the domestic electrical mains supply for the mirror back on.

Operation Instructions

To turn illumination on or off, wave hand under the sensor switch. Heated pad is only on when mirror is illuminated.

LED Mirrors With Charging Socket Only:

NB. On first use of the charging socket, there may be resistance when inserting the plug. Reasonable force may be required to fully insert the plug. After a few uses, stiffness will ease and the socket will function as normal.

LED MIRRORS WITH CHARGING SOCKET

Ariel Art No. 77470000 / **Astral** Art No. 77450000

Axis Art No. 77417000 / **Epic** Art No. 77460000

Nexus Art No. 77418000 / **Rotary** Art No. 77416000

Vortex Art No. 77419000

LED BACK-LIT MIRRORS

Adelle Art No. 77412000 / **Amber** Art No. 77407000

Alto Art No. 77420000 / **Christa** Art No. 77413000

Larino Art No. 77403000 / **Liberty** Art No. 77411000

Livvy Art No. 77405000 / **Louisa** Art No. 77406000

Lucca Art No. 77402000 / **Messina** Art No. 77408000

Mileto Art No. 77409000 / **Scarlet** Art No. 77410000

Vercelli Art No. 77404000

FLUORESCENT MIRRORS

Casey Art No. 77309000 / **Summer** Art No. 77308000

Skye Art No. 77307000

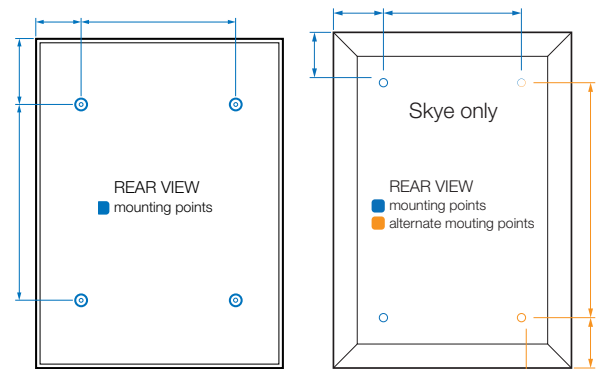
Thank you for purchasing this HiB product.

Please read through these instructions carefully and refer back to them during installation to ensure that your product is fitted safely and that it retains its high quality finish.

Please retain this leaflet for future reference.

Before installation, ensure the domestic electrical mains supply to which the mirror is to be connected is turned off. Before drilling, ensure that there are no hidden cables or pipes in the wall.

Mounting Points Diagram (Fig. A)



NB. This product must be installed with a minimum distance of 150mm between the infra-red sensor switch and any adjacent wall or object to ensure correct operation of the sensor.

Care Instructions

Do not use abrasives or solvents when cleaning this product.

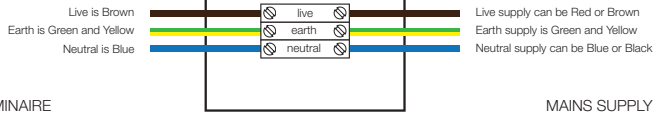
Wipe off all water spillages as soon as possible using a soft, damp cloth.

Aftercare Service

In the unlikely event that this product should fail please contact HiB customer services, details shown below.

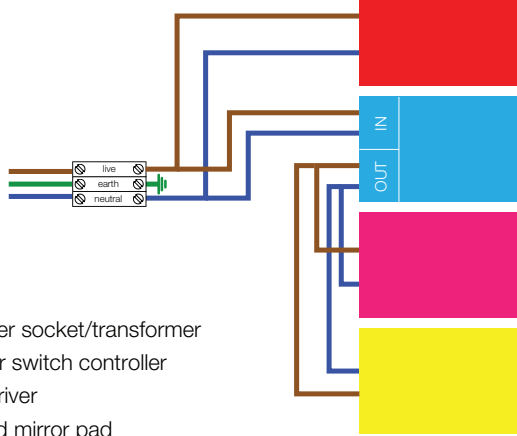
Wiring Diagram (Fig. B)

Wiring Diagram

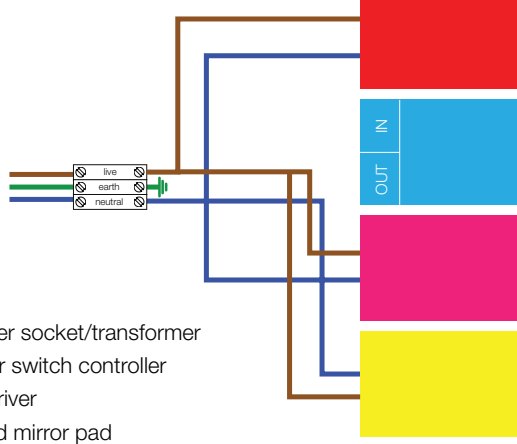


How to Isolate the sensor so you can switch ON & OFF with a mains switch (Fig. 2)

How the mirror is wired.



How to isolate the sensor.



Rewire the mirror as shown in the diagram above. HiB recommends that all electrical bathroom products should only be fitted by a suitably qualified, Part P registered electrician.

For further assistance on isolating the sensor please contact us at:

Tel: +44 (0)20 8441 0352

Email: sales@hib.co.uk

Lamp Replacement

LED Mirrors

In the unlikely event that the LED light strip should fail (Not applicable to Casey & Summer mirrors) please contact HiB Customer Services for a replacement part at the address shown below.

Fluorescent Mirrors

Casey & Summer Require a T9 Round Lamp, Maximum 40 Watts

Skye Requires a T9 Round Lamp, Maximum 32 Watts

CAUTION: The surface of the lamp may become extremely hot! Allow at least 30 minutes after lamp failure before replacing...

1. Turn off the mains electrical supply and disconnect the wiring between the mains electric and the mirror.
2. Detach mirror by removing screws on the exterior of the frame.
3. Carefully grasp the failed lamp and lift upwards to remove the lamp from the lamp holder.
4. Carefully push the replacement lamp into the lamp holder.
5. Ensure the heated pad cable is connected and slide the mirror back onto the frame. Insert the screw, and tighten to secure.
6. Reattach the mirror front to the frame ensuring that the heat pad and lighting cable are reconnected and clipped away neatly.
7. Switch the mains supply back on.



WEEE compliance

Must not be mixed with general household waste