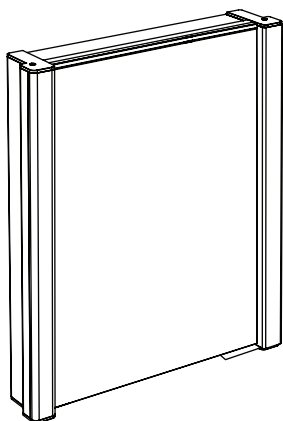
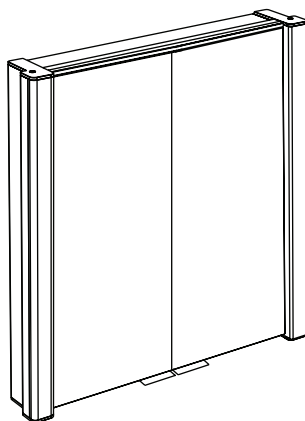


PARITY & LASER RECESSED CABINETS



Parity
Art No. 44200



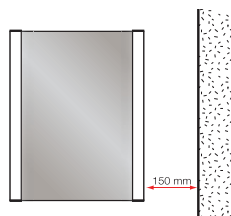
Laser
Art No. 44300

Please Note

This product can be fitted into a partition wall, or wall hung. Before installing ensure you take note of measurements of recessed area or mounting points (See fig. A).

This product must be installed with a minimum distance of 150mm between the infra-red sensor switch and any adjacent wall or object to ensure correct operation of the sensor.

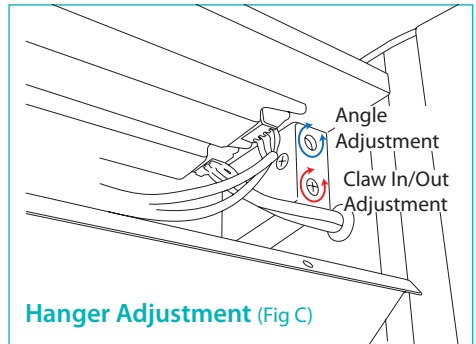
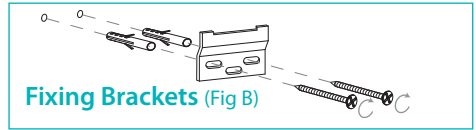
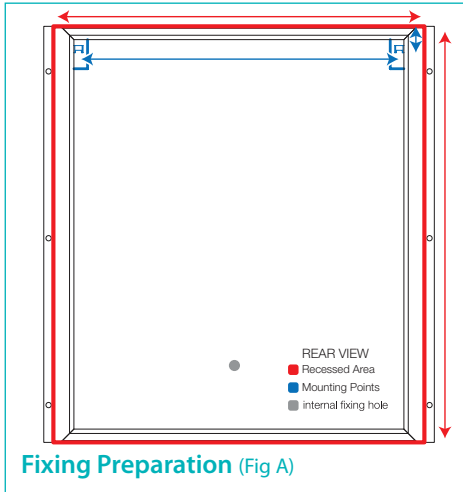
You may need to remove the door / doors to make it easier to fit. This can be done by unclipping the hinges. (There is a release catch at the back of the hinge). DO NOT FIT SHELVES AT THIS STAGE.

**Thank you for purchasing this HiB product.**

Please read through these instructions carefully and refer back to them during installation to ensure that your product is fitted safely and that it retains its high quality finish.

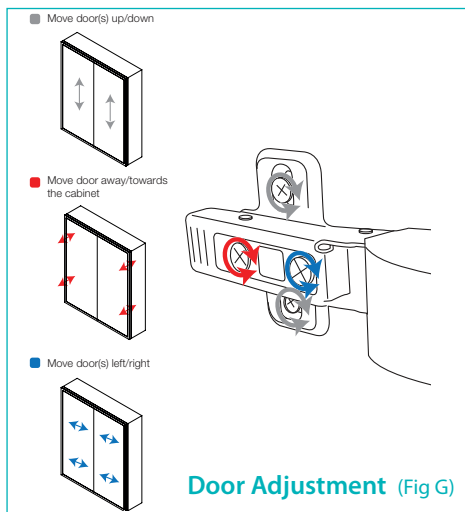
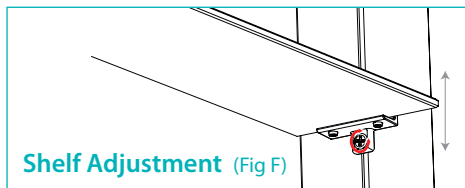
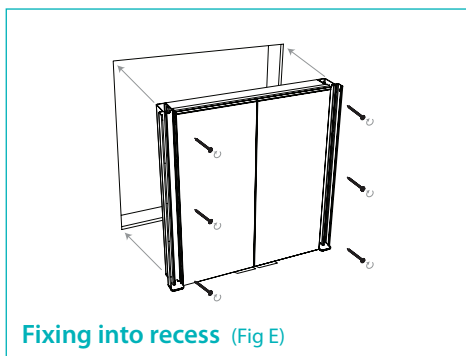
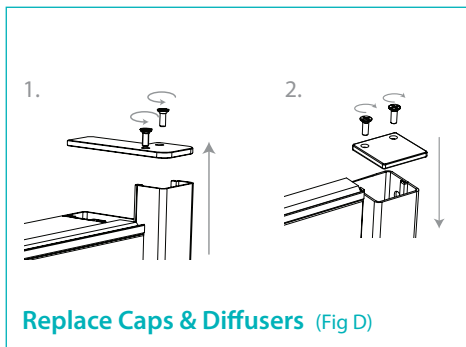
Please retain this leaflet for future reference.

Before drilling, ensure there are no hidden cables or pipes in the wall.



Wall Hung Installation

1. Position the cabinet in a suitable location, (according to the zonal diagram (Fig. 1) on the back page), ensuring that the domestic electrical mains supply is within reach of the electrical connection point of the cabinet. Carefully mark the position of the top of the cabinet using a soft pencil.
2. Remove the cabinet from the wall and using a spirit level, mark a horizontal line below the pencil mark, taking into account the location of the mounting points. Place brackets on the new line paying attention to the distance of the mounting points. Mark the position of the holes using a soft pencil. (See fig. A).
3. Before drilling, ensure there are no hidden cables or pipes behind the mounting points. Drill the required holes in the marked positions. If drilling through tile, use a ceramic drill bit. Insert the wall plugs level with the surface of the wall. If fitting to a tiled surface, wall plugs should be inserted below the tile surface to avoid cracking. *NB. For plasterboard walls, specialist fixings should be purchased, available from any DIY or hardware store.*
4. Fix the bracket to the wall using the screws provided. (See Fig. B).
5. Open the cabinet door(s) and remove screws on front edge of the internal panel at the top. Place screws in a safe place.
6. Temporarily hang the cabinet ensuring claws on the hangers are securely located on the wall brackets. Using a spirit level adjust the angle of the cabinet via the screws on hangers (See Fig. C). using a drill create a suitable hole for an internal fixing hole inside the cabinet (see Fig. A) and mark all. Then remove cabinet from wall.
7. Drill a suitable hole in the marked location and fit a wall plug (taking into account step 3).
8. Connect the domestic mains supply according to the wiring diagram (fig. 2) on the back page.
9. Rehang cabinet, tighten screw on hangers (See Fig. C) and secure the base of the cabinet with supplied screw & screw cap.
10. Once fully secure, close the internal top cover and secure with screws removed earlier.
11. Starting with the top shelf, insert the shelf supports in desired position and fit shelves (See Fig. F).
12. Door(s) can be adjusted if required via screws on hinges. (See Fig. G).
13. Switch mains supply back on.



Recessed Installation

Before installation, ensure the construction of the partition wall is suitable to allow the cabinet to fit tightly into the recess. The cabinet should be placed in a suitable location, (according to the zonal diagram (Fig. 1) on the back page). Ensure that the domestic electrical mains supply is within reach of the electrical connection point of the cabinet.

1. Remove caps using a suitable screw driver, then remove diffusers & light tubes. (See fig. D).
2. Position the cabinet in the recess, and mark the positions of the fixing holes of the cabinet using a soft pencil. Then remove from wall.
3. See stage 3 of the wall hung installation process opposite.
4. Connect the domestic mains supply according to the wiring diagram (Fig. 2) on the back page.
5. Slot cabinet into recess and using a suitable screwdriver, screw cabinet onto stud wall. (See Fig. E).
6. Replace lighting tubes & diffusers and replace top & bottom caps with supplied square caps for recessed mounting. (See fig. D2).
7. Follow stage 11 to 13 of the wall hung installation process opposite to complete installation.

Operating Instructions

To turn illumination on or off, wave hand past the sensor switch on the right side of the cabinet. To operate charging socket, use pull cord located next to socket. Socket is suitable for recharging toothbrushes, shavers and trimmers. *NB. On first use of the charger socket, reasonable force may be required to fully insert the plug. Hold the cabinet firmly so that it is not pushed off the wall. After a few uses, stiffness will ease.*

Lamp Replacement

Requires 2x T4 lamps, Max 22W

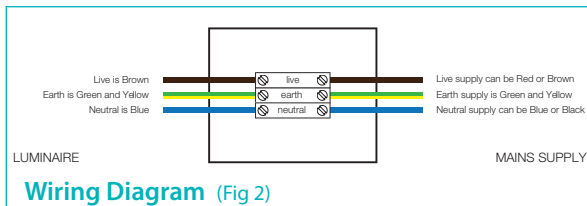
CAUTION: Allow at least 30 minutes after lamp failure before replacing. Ensure the domestic electrical mains supply to which the product is connected is turned off.

1. Remove top or bottom caps using a suitable screw driver. Then remove diffusers & light tubes.
2. Place new lighting tubes, then replace diffusers and top or bottom caps.




This product is suitable for installation in zones: 2 & Outside Zone (Fig 1)

All installations must comply with guidelines which are based on a zonal concept. The diagram above illustrates this concept and must be followed to ensure the safe installation of electrical appliances in the bathroom. These regulations apply to domestic installations only. Installations must be made in accordance with the current IEE wiring regulations and relevant building regulations. **HiB recommends that all electrical bathroom products should only be fitted by a suitably qualified, Part P registered electrician.**



WEEE Compliance

 Must not be mixed with general household waste.

Electrical Safety Information

HiB recommends that all electrical bathroom products should only be fitted by a suitably qualified, Part P registered electrician in accordance with current IEE regulations. Ensure mains power supply is switched off before starting installation. Before drilling, ensure there are no hidden cables or pipes in the wall.

Care Instructions

Do not use abrasives or solvents when cleaning this product.
Wipe off all water spillages as soon as possible using a soft, damp cloth.

Aftercare Service

In the unlikely event that this product should fail please contact HiB customer services, contact detail shown below.

T: +44 (0)20 8441 0352 **F:** +44 (0)20 8441 0219 **E:** sales@hib.co.uk hib.co.uk
 Building 3, North London Business Park, Oakleigh Road South, New Southgate, London. N11 1GN

©HiB Copyright: No part of this document may be reprinted or duplicated without HiB consent. All sizes and measurements are approximate, but we do try and make sure they are as accurate as possible. In the interest of continuous product development, HiB reserves the right to alter specifications as necessary. E & OE.