



Quality Bathroom Products

Aluminium Cabinets - Fixing Instructions

Thank you for purchasing this HiB product. Please read through these instructions carefully and refer back to them during installation to ensure that your product is fitted safely and that it retains its high quality finish.

Please retain this leaflet for future reference.

Electrical Safety Information

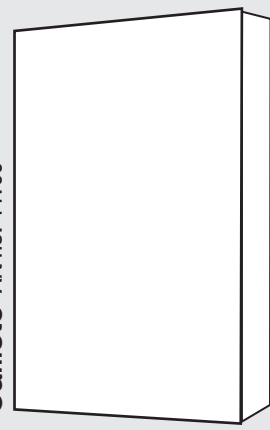
Before drilling, ensure there are no hidden cables or pipes in the wall.

Care Instructions

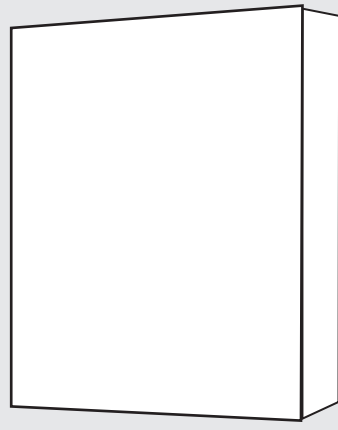
To preserve the high quality finish of your HiB product, please ensure you regard the following care and cleaning recommendations:

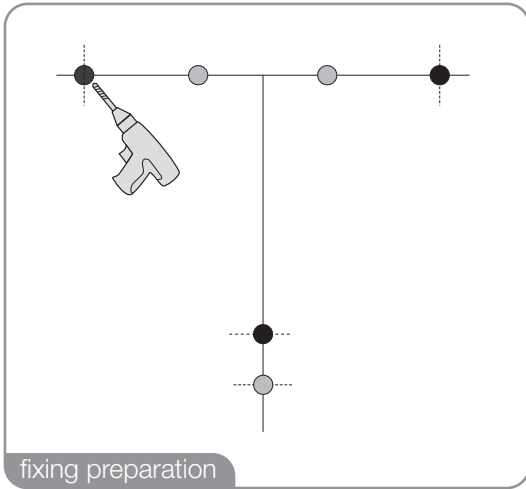
- wipe off all water spillages as soon as possible
- mirrors and glass can be cleaned with a proprietary cleaner using a soft cloth, taking care not to get excessive cleaner behind the mirror
- all other surfaces should be cleaned with diluted detergent, i.e. washing up liquid, and a soft cloth
- scourers and scouring agents should not be used, as these may cause damage to the surface of the product.

Callisto Art no. 44100

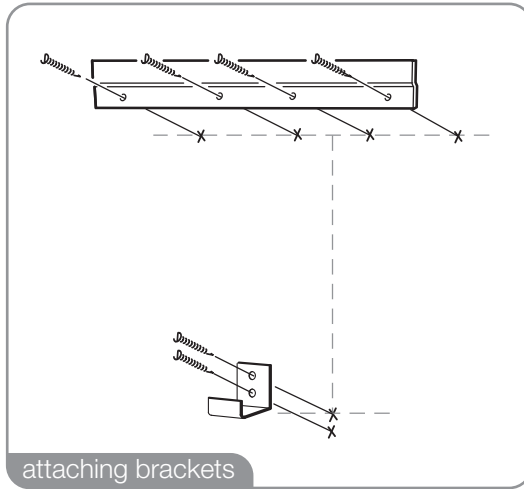


Kore Art no. 43900

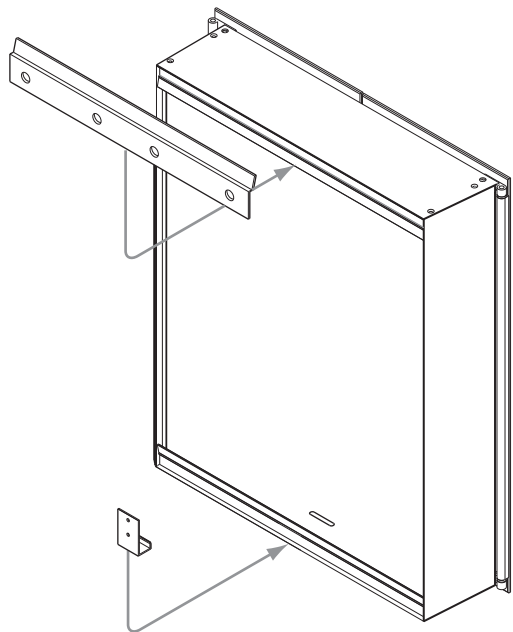




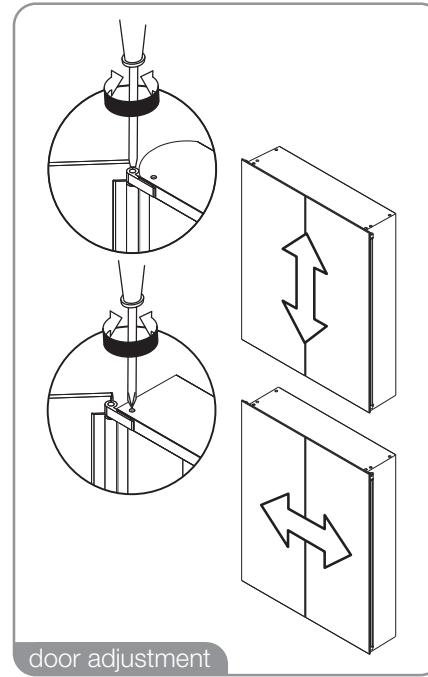
fixing preparation



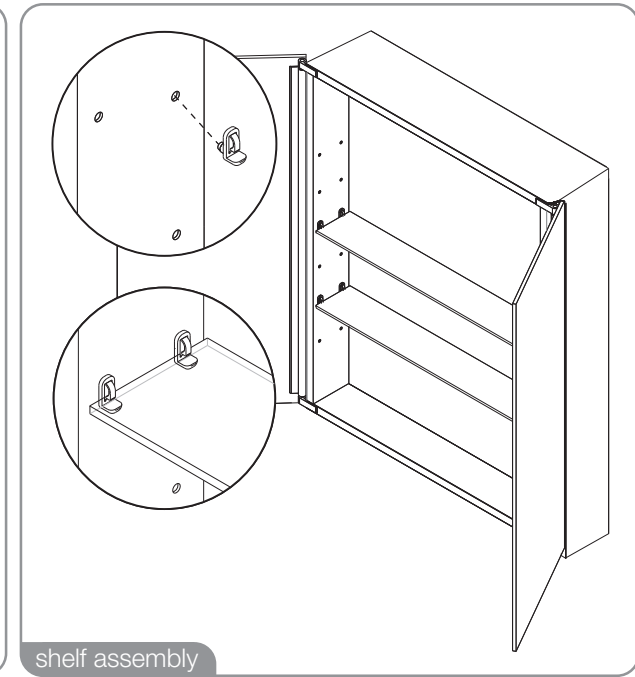
attaching brackets



wall mounting



door adjustment



shelf assembly

1) Position the cabinet in a suitable location and carefully mark the position of the top of the cabinet using a soft pencil.

2) Remove the cabinet from the wall and using a spirit level, mark a horizontal line 50mm below the original pencil mark. Hold the mounting bracket in place with the holes corresponding with the marked line. Ensure the bracket is central, and mark the position of the holes.

3) Before drilling, ensure there are no hidden cables or pipes behind the mounting points. Drill the required holes in the marked positions. If drilling through tile, use a ceramic drill bit. Insert the wall plugs level with the surface of the wall. If fitting to a tiled surface, wall plugs should be inserted below the tile surface to avoid cracking. NB. For plasterboard walls, specialist fixings should be purchased, available from any DIY or hardware

store. Fix the bracket to the wall using the screws provided.

4) Temporarily hang the cabinet on the top bracket, and position the bottom mounting bracket into the slot underneath the cabinet. Mark the position of the bracket using a soft pencil, then remove the cabinet from the wall.

5) Place the bottom bracket on the previously marked line and mark the positions of the holes. Using the same method as before, drill the required holes and attach the bracket to the wall using the screws provided.

6) Hang the cabinet on the wall ensuring that it is firmly located on both brackets. Align doors according to the diagram above.

7) Starting with the top shelf, insert the shelf supports in the desired position and fit the shelf.