

HiB

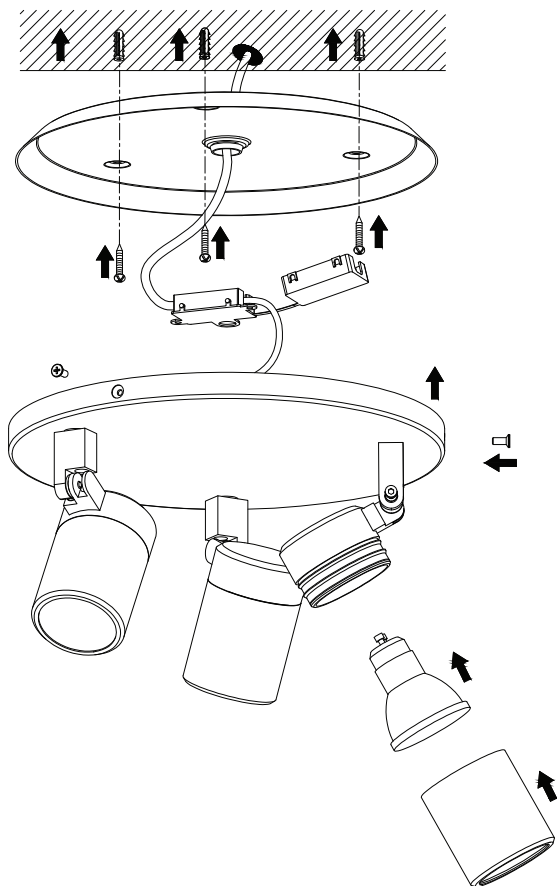
MAKING
BATHROOMS
BEAUTIFUL



This product is suitable for installation in zones: 2 & Outside Zone

All installations must comply with guidelines which are based on a zonal concept. The diagram above illustrates this concept and must be followed to ensure the safe installation of electrical appliances in the bathroom. These regulations apply to domestic installations only. Installations must be made in accordance with the current IEE wiring regulations and relevant building regulations. **HiB recommends that all electrical bathroom products should only be fitted by a suitably qualified, Part P registered electrician.**

Trilogy Mounting Diagram (Fig. A)



LED Spotlights

Quartet Art No. 6140 Trilogy Art No. 6150

Thank you for purchasing this HiB product.

Please read through these instructions carefully and refer back to them during installation to ensure that your product is fitted safely and that it retains its high quality finish.

Please retain this leaflet for future reference.

Before installation, ensure the domestic electrical mains supply to which the luminaire is to be connected is turned off. Before drilling, ensure that there are no hidden cables or pipes in the ceiling.

Installation

1. Position the spotlight in a suitable location (according to the zonal diagram, Fig. 1), ensuring that the domestic electrical mains supply is within reach of the electrical entry point of the product.
2. Carefully mark the position of the light using a soft pencil.
3. Remove the spotlight and mark the mounting points according to the diagram on the left. **Please ensure that all marked mounting points accurately match up with the fixing points on the ceiling light.**
4. Before drilling, ensure there are no hidden cables or pipes behind the mounting points. Using a suitable drill bit, drill holes in the marked positions to a suitable depth.
5. Insert wall plugs level with the surface of the ceiling. *NB. For plasterboard, specialist fixings should be purchased, available from any DIY or hardware store.*
6. Line up product with marked fixing points and screw into place.
7. **Ensure the domestic electrical mains supply to which the ceiling light is being connected is turned off.** Connect the domestic mains supply to the terminal box according to the wiring diagram in Fig. D.
8. Attach spotlight plate as shown in Figs. A & B.
9. Switch on the domestic electrical mains supply to which the light fitting is being connected.

Care Instructions

Do not use abrasives or solvents when cleaning this product. Wipe off all water spillages as soon as possible using a soft, damp cloth.

Operation Instructions

This product is non-dimmable.

Lamp Replacement

This product is suitable for use with LED 6W GU10 Lamps. Please see Fig. C for Lamp replacement method.

Aftercare Service

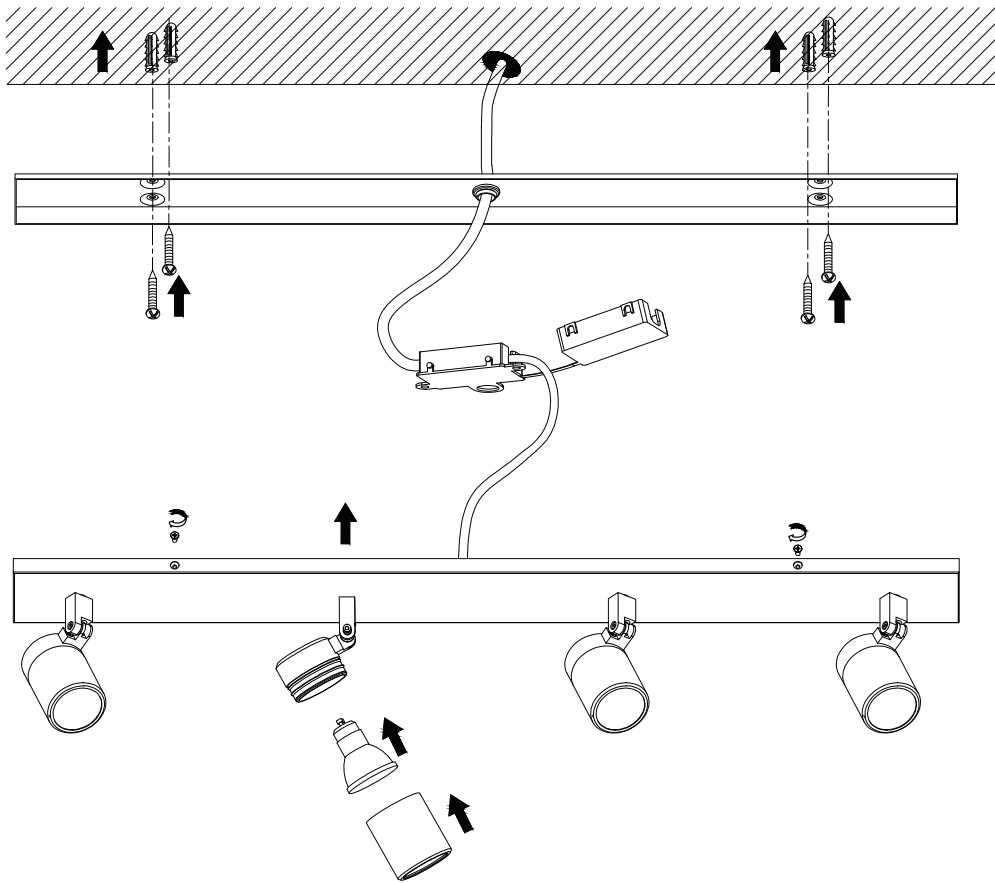
In the unlikely event that this product should fail, please contact HiB Customer Services, details shown below.

T: +44 (0)20 8441 0352 F: +44 (0)20 8441 0219 E: sales@hib.co.uk hib.co.uk

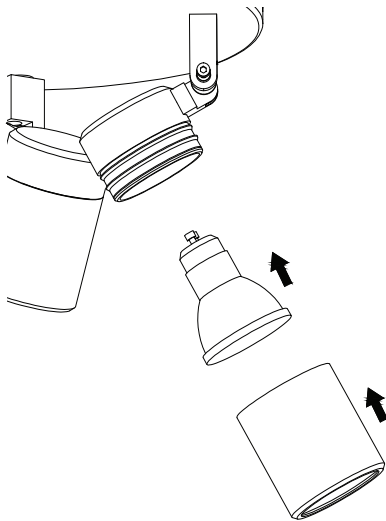
Building 3, North London Business Park, Oakleigh Road South, New Southgate, London. N11 1GN Fl#04 002 R151207 Ver No. 1.0 Jan 2016

©HiB Copyright: No part of this document may be reprinted or duplicated without HiB consent. All sizes and measurements are approximate, but we do try and make sure they are as accurate as possible. In the interest of continuous product development, HiB reserves the right to alter specifications as necessary. E & OE.

Quartet Mounting Diagram (Fig. B)



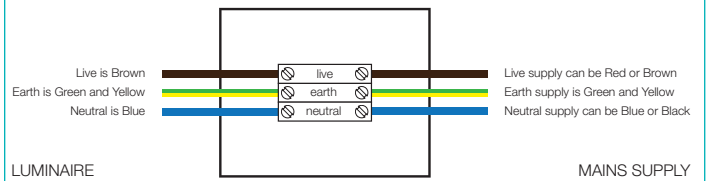
Lamp Replacement (Fig. C)



CAUTION: The surface of the lamp may become extremely hot!
Allow at least 30 minutes after lamp failure before replacing...

1. Turn off the mains electrical supply.
2. Pull off the cover cap from the lamp (1).
3. Carefully grasp the failed lamp and rotate 90° anti-clockwise and remove from the lamp holder (2).
4. Carefully push the replacement lamp into the lamp holder and rotate 90° clockwise to secure.
5. Replace cover cap.
6. Turn the mains electrical supply back on.

Wiring Diagram (Fig. D)



WEEE compliance

Must not be mixed with general household waste