

Dear Sir or Madam:

Many thanks for purchasing our products. Please read carefully the manual before installing and using the product, so that you can enjoy the best service offered by us.

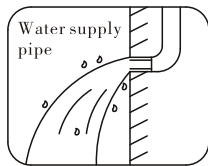
Maintenance Advice

- a). If the water flow reduces or stops, check for blockages or limescale build up within the hose, handset, shower head pipes and/or mixer, clear this build up if possible and re-test, if this does not resolve the issue contact the retailer for further advice.
- b). To maintain the surface finish of your product clean after every use, with a clean damp cloth, no harsh materials, abrasives or chemicals can be used, use of any of these will invalidate your guarantee.

Minimum working pressure of 0.5 bar

Pressures should be balanced for optimum performance

Flush pipework prior to installation



Not covered by the guarantee is:

Breakdown due to –

- a) Use other than domestic
- b) Wilful act of neglect
- c) Any malfunction resulting from incorrect use
- d) Incorrect assembly/installation

Repair costs for damage caused by foreign objects or substances

Total loss of the product due to non-availability of parts

Compensation for loss of use of the product or consequential loss of any kind.

Call out charges where no fault has been found with the product.

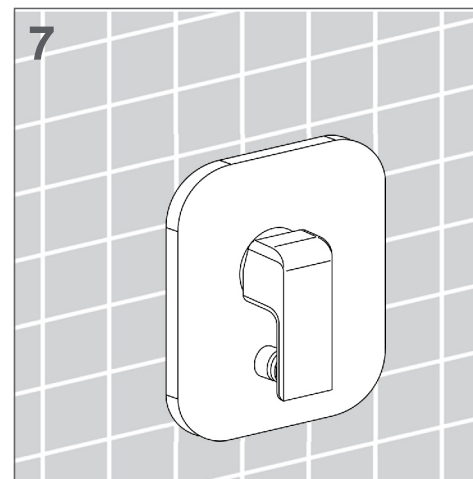
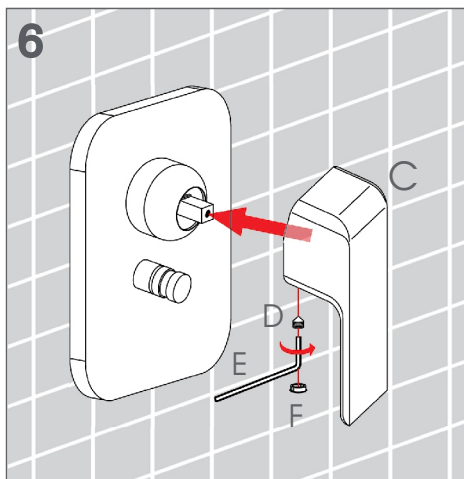
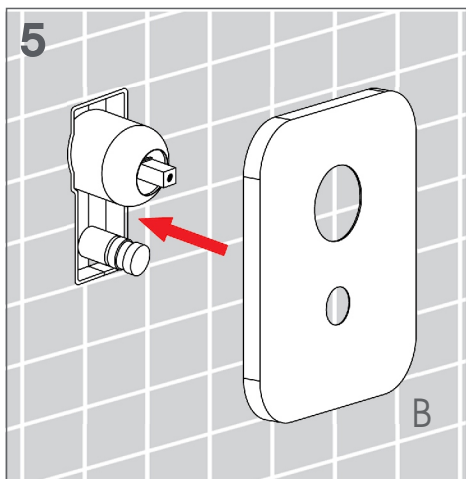
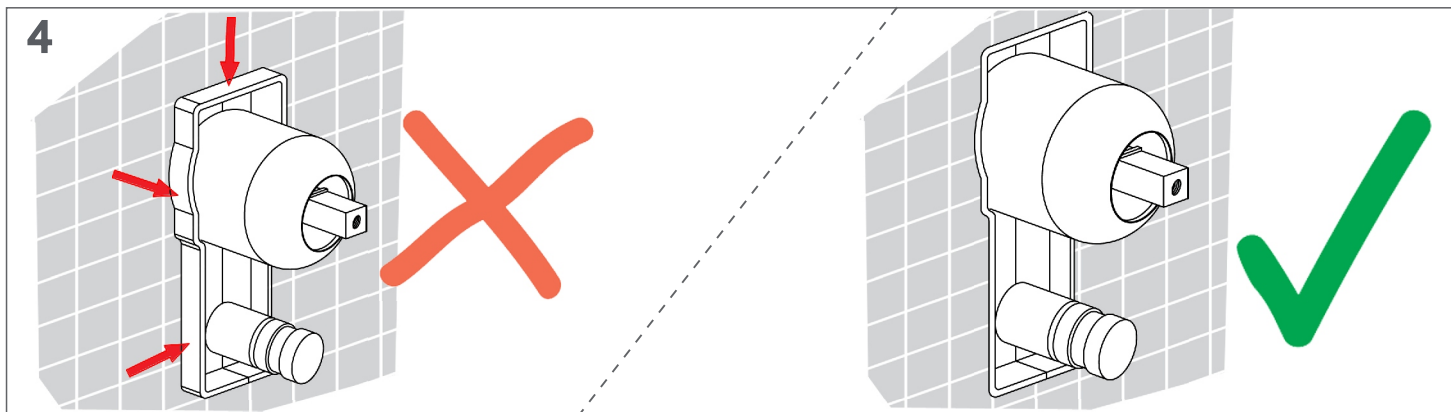
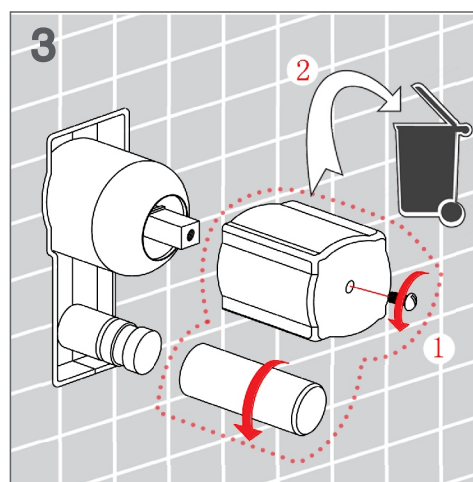
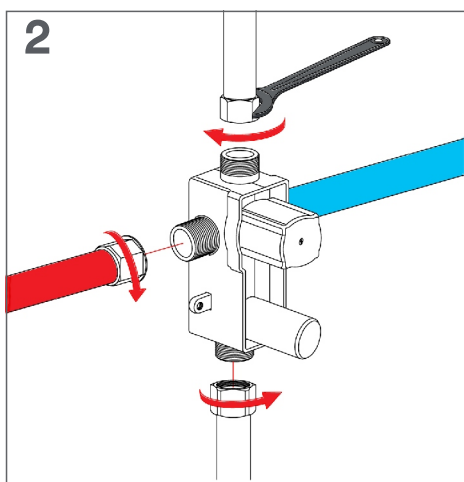
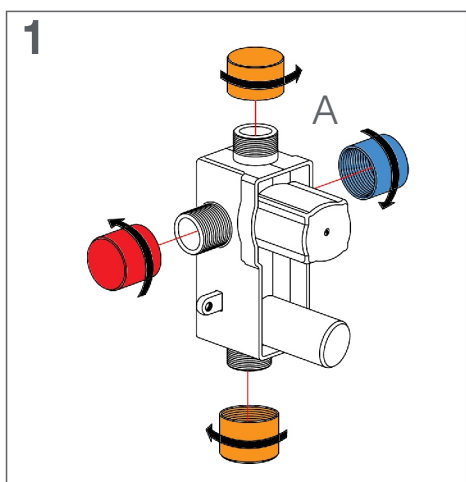
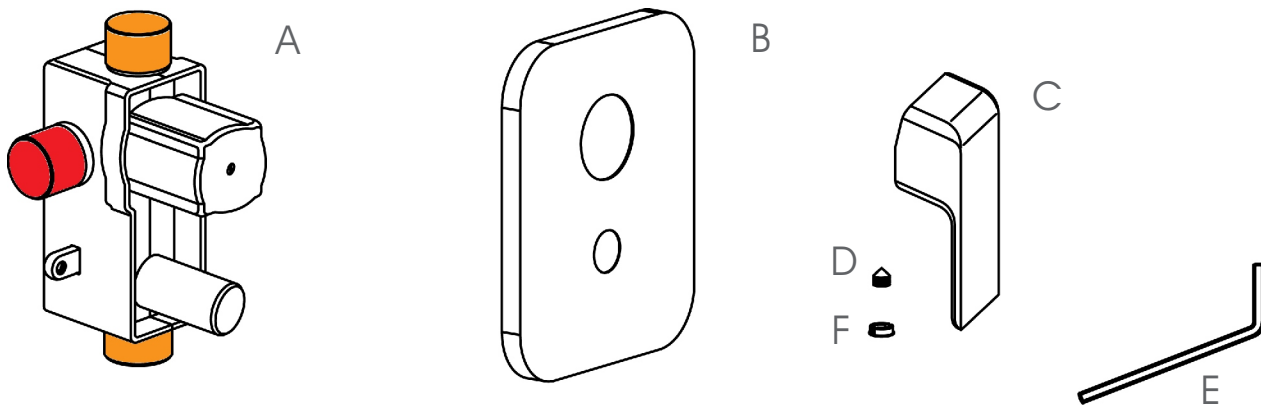
The cost of repair or replacement of any accessories installed at the same time.

The cost of routine maintenance, adjustments, overhaul, modifications, loss or damage, arising therefrom, including the cost of repairing damage, breakdown, malfunction caused by incorrect use, assembly or maintenance.

Product must be installed in compliance with relevant Water Regulations and Byelaws

! Please note when the mixer is turned to on, the water will first flow from the bottom outlet before pushing the diverter, please take this into consideration when piping the mixer.

PARTS LIST



The installation guide is for reference only. In case there is discrepancy between the instruction and that of the actual product, the latter should be taken as standard. The rights of modification is reserved.