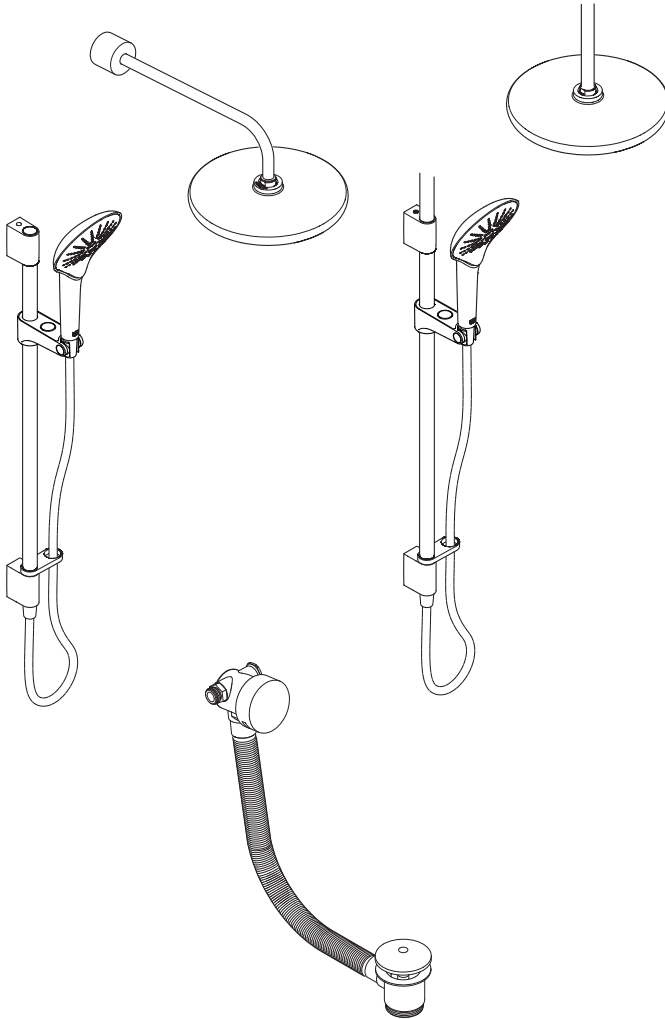


Mira Mode Shower and Bath Fittings



Installation Guide

Please leave these instructions with the user

Showering perfection

mira
SHOWERS

If you experience any difficulty with the installation or operation of your new shower, then please refer to the **Fault Diagnosis** section, before contacting **Kohler Mira Ltd.**

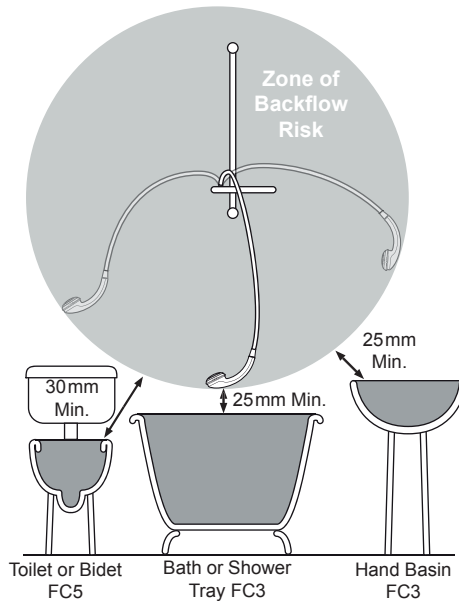
Our telephone and fax numbers can be found in the back of this guide.

Important Information

Products manufactured by Kohler Mira Ltd are designed to be safe, provided that they are installed, used and maintained in good working order, in accordance with our instructions and recommendations.

Follow all warnings, cautions and instructions contained in this guide, and on, or inside the product. Failure to follow the instructions provided with this product will invalidate the guarantee.

1. Installation of the shower fittings must be carried out in accordance with these instructions by qualified, competent personnel.
2. The plumbing installation must comply with all national or local water regulations and all relevant building regulations, or any particular regulation or practice specified by the local water supply company.
3. Install the shower fittings over a water catchment area and position so that the water discharges down the centre line of the bath, or across the opening of a shower cubicle. The handset should direct the water away from the shower unit.
4. Do not fit any form of flow control in the outlet pipe work if the shower fittings are installed in conjunction with a product that requires the fittings to act as a vent (e.g. an electric shower).
5. Do not use excessive force when making connections.
6. Avoid layouts where the shower hose will be sharply kinked. This may reduce the life of the hose.
7. Special consideration should be given to the fixing arrangements when installing onto a dry lined, stud partition, shower cubicle or laminated panel wall structures. Installers may wish to obtain alternative proprietary cavity fixings, or choose other options, however, these methods of fixing are beyond the scope of this guide.
8. The position of the shower fittings must provide a minimum air gap of 25mm between the showerhead and the spill over level of any bath, shower tray or basin. There must be a minimum distance of 30mm between the showerhead and the spill over lever of any toilet, bidet or other appliance with a Fluid Category 5 backflow risk.



Hose Retaining Ring Fitted and Shower Fittings Fixed at a Suitable Height Preventing Dirty Water Backflow

Note! There will be occasions when the hose retaining ring will not provide a suitable solution for Fluid Category 3 installations. In these instances an outlet double checkvalve must be fitted, this will increase the required supply pressure typically by 10 kPa (0.1 bar).

Double checkvalves fitted in the inlet supply to the appliance cause a pressure build up, which affects the maximum static inlet pressure for the appliance and must not be fitted. For Fluid Category 5, double checkvalves are not suitable.

Guarantee

The Mira Mode has been designed for domestic use only, it is not recommended for Commercial or Healthcare use.

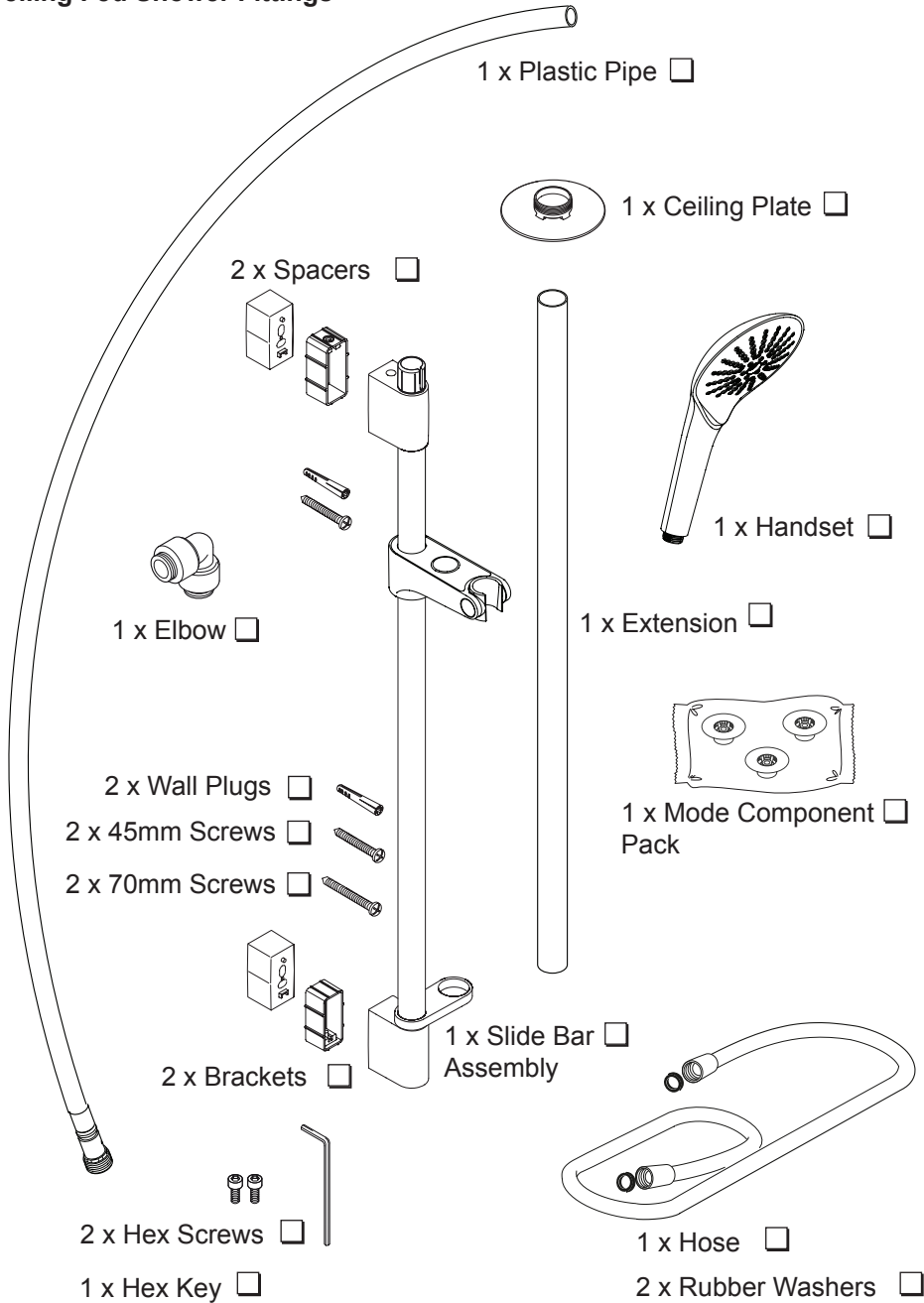
For domestic installations, Kohler Mira Limited, guarantee the Mira Mode against any defect in materials or workmanship for a period of one year from the date of purchase.

Specifications

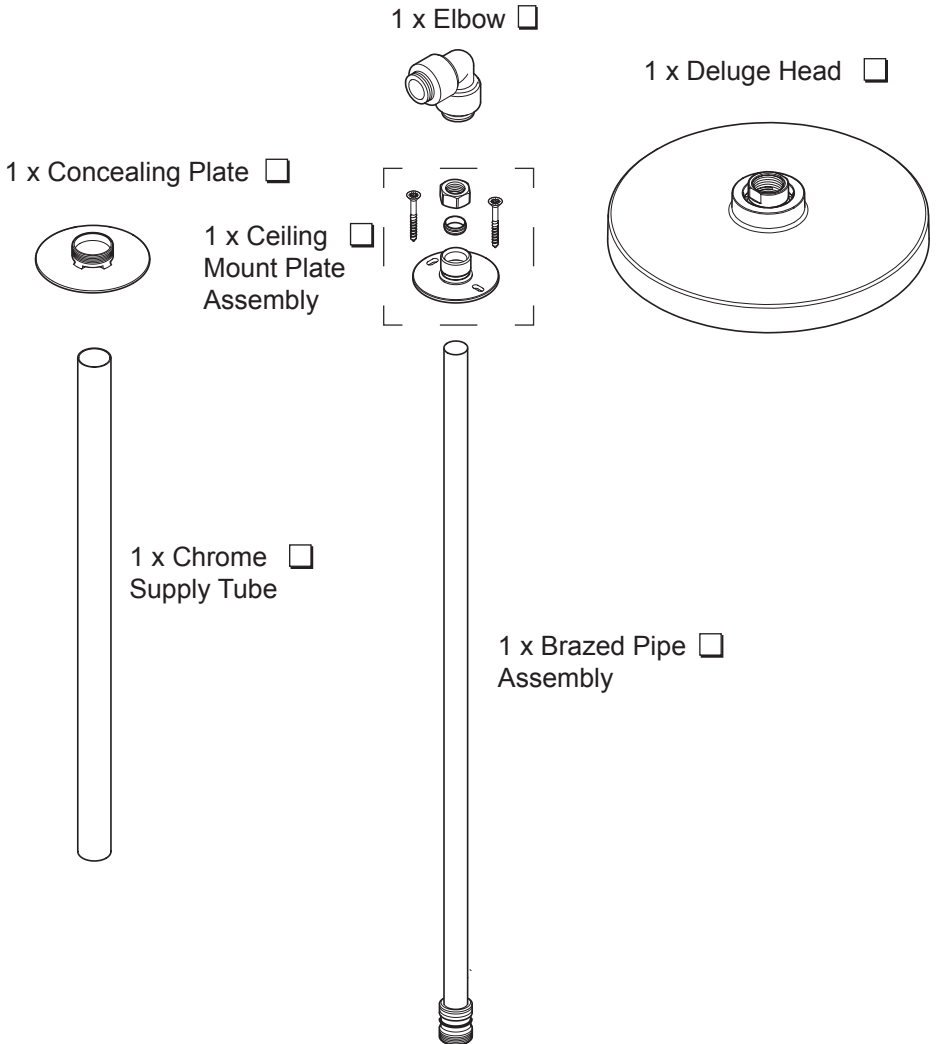
Minimum maintained water pressure	0.1 bar (10 kPa)
Maximum maintained water pressure	5.0 bar (500 kPa)

Pack Contents

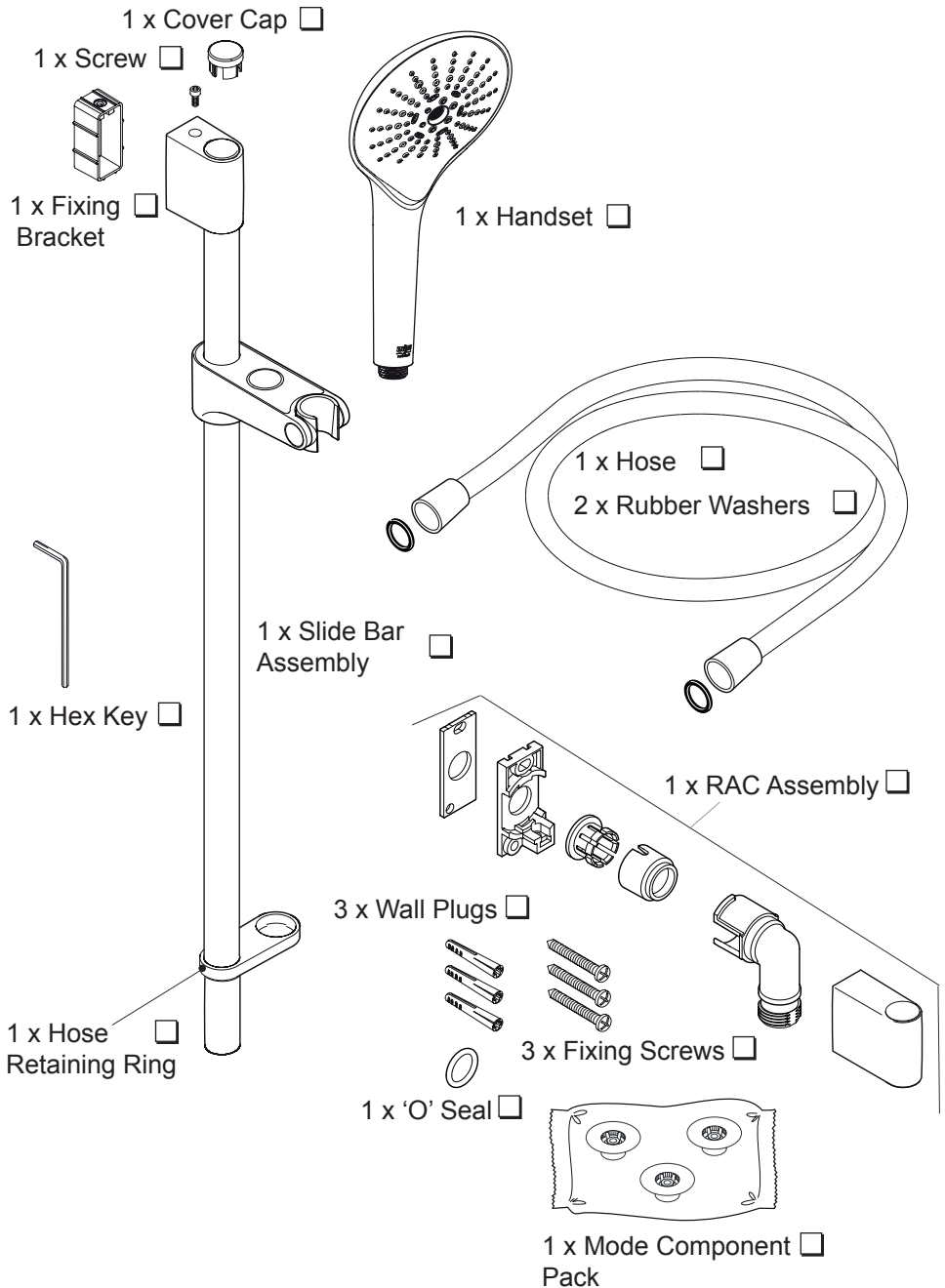
Ceiling Fed Shower Fittings



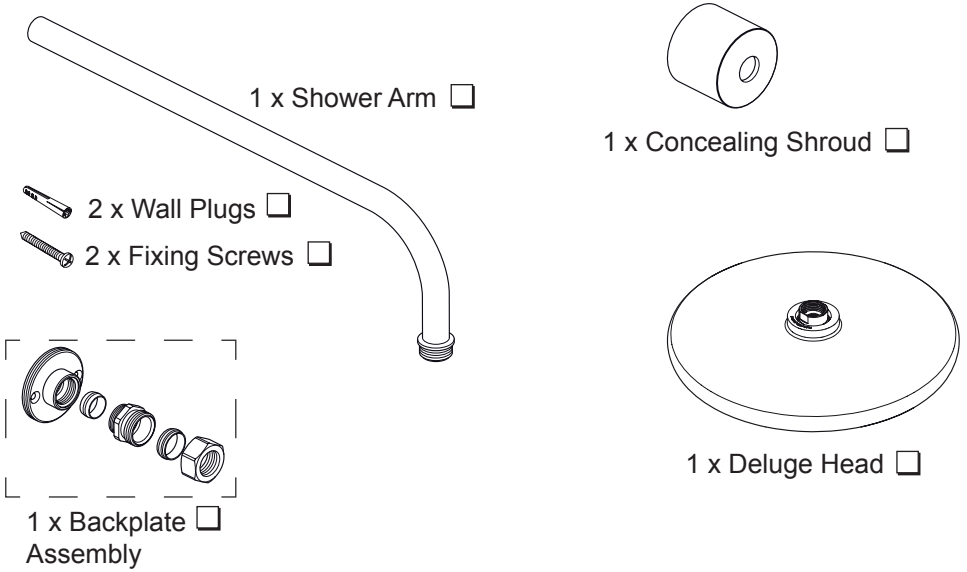
Ceiling-Fed Deluge Head



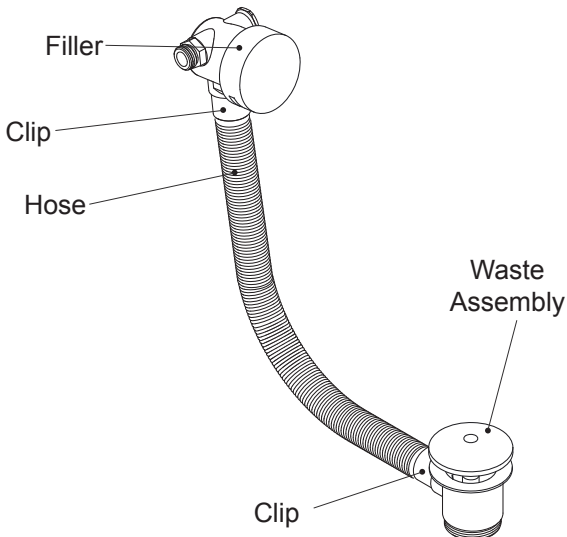
Rear Fed Slide Bar / Showerhead



Rear Fed Shower Arm and Deluge Head



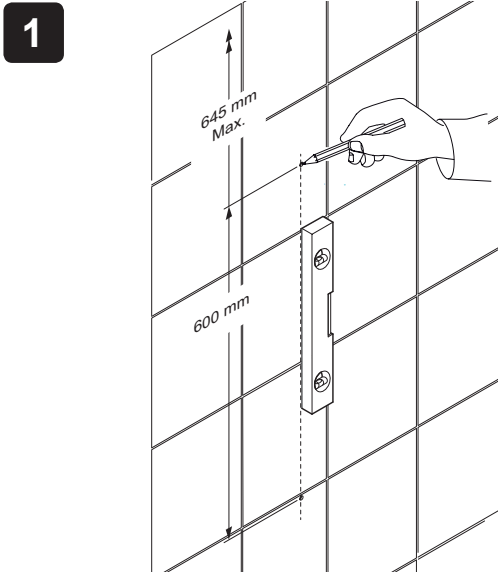
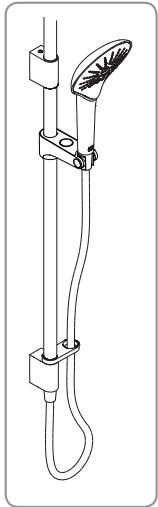
Bath Filler



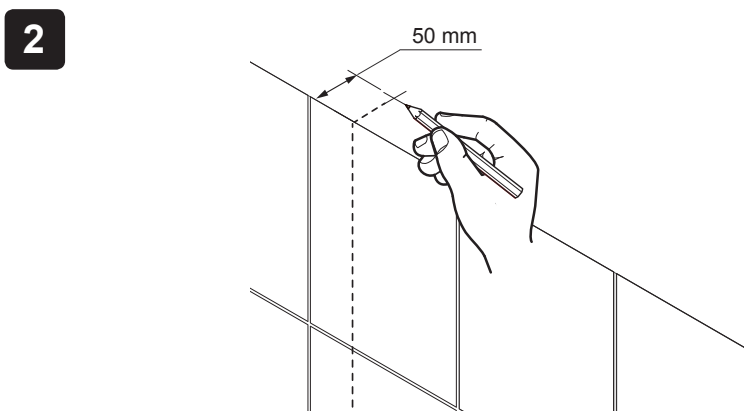
Install the Fittings

Ceiling Fed Shower Fittings

Fix at convenient height for all the family. Position the fittings so that water sprays down the centre of the bath, or away from the opening of a shower cubicle. Water should spray away from the interface when the showerhead is held on the slide bar.

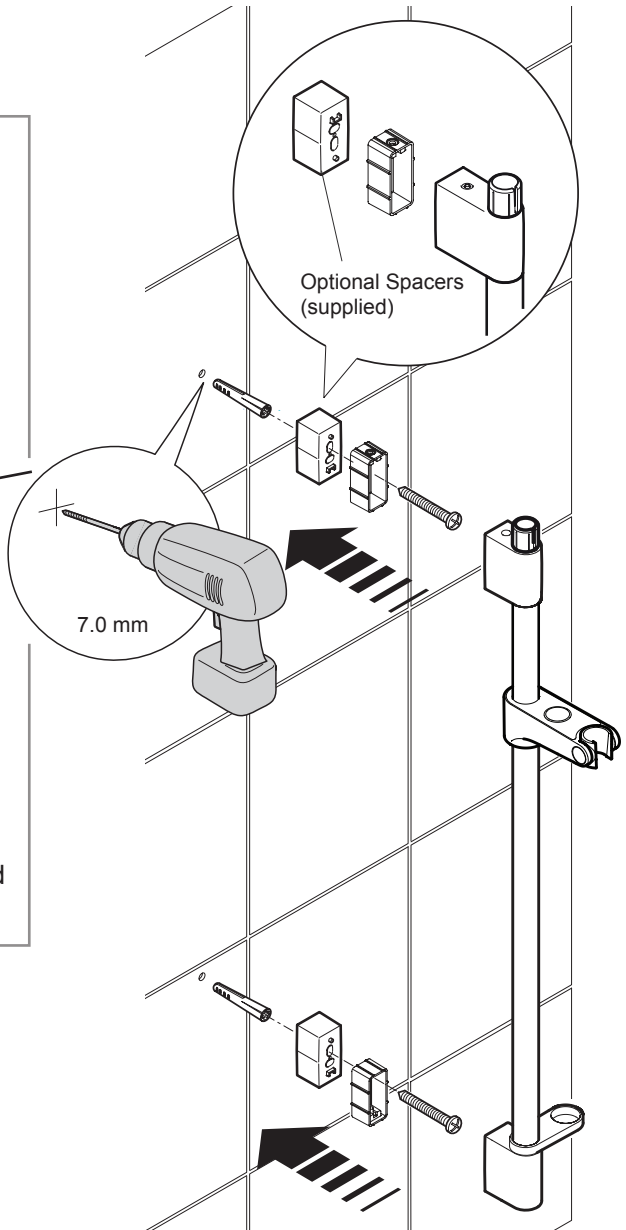
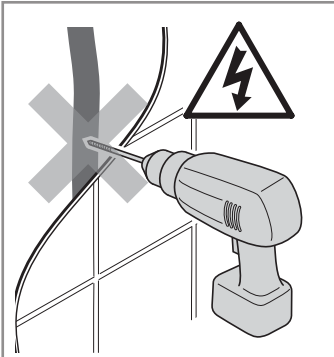


Mark the positions of the fixing holes for the slide bar.



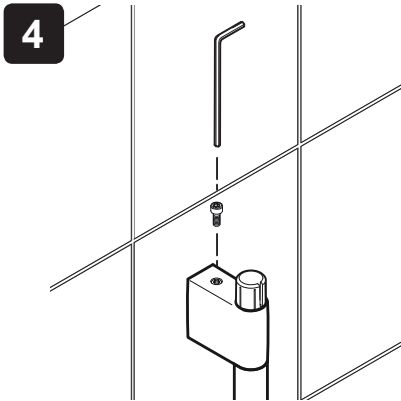
Mark the position of the hole on the ceiling.
Cut the hole in the ceiling to a diameter of 29 mm.

3

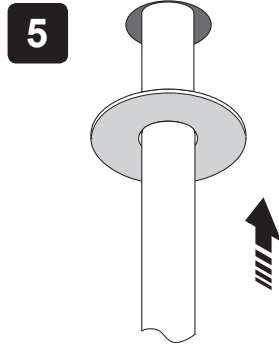


Drill the fixing holes in the wall. Fit the wall plugs and the slide bar supports and install the slide bar assembly to the wall.

Important! If supplied slide bar spacers are required, centre distance for ceiling hole will increase to 75 mm from wall. **Use longer fixing screws if you are using the spacers.**

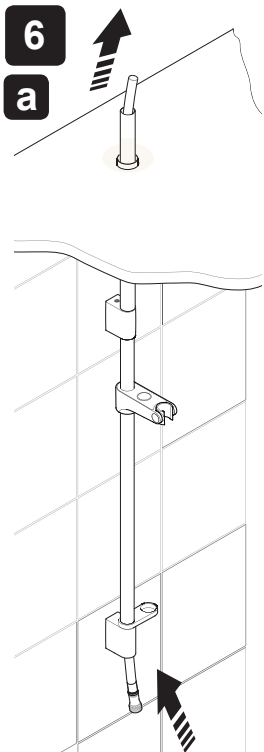


4
Install the screws top and bottom to secure the slide bar in position.

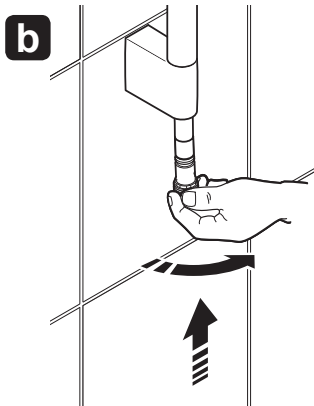


5
Install the falling supply tube.

Note! The falling supply tube may need to be shortened, use a hacksaw to shorten tube. **Make sure the rough end is concealed in ceiling.**

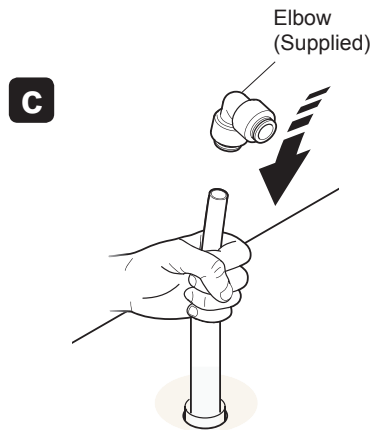


6
a
Feed the plastic tube up through the slide bar and into the ceiling.



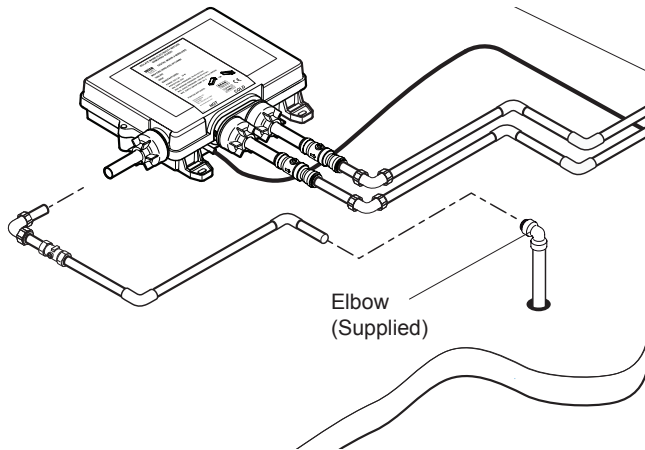
b
Push and twist plastic pipe end until it “clicks” and locks in place.

Caution! Do not allow any debris to block the plastic pipe.



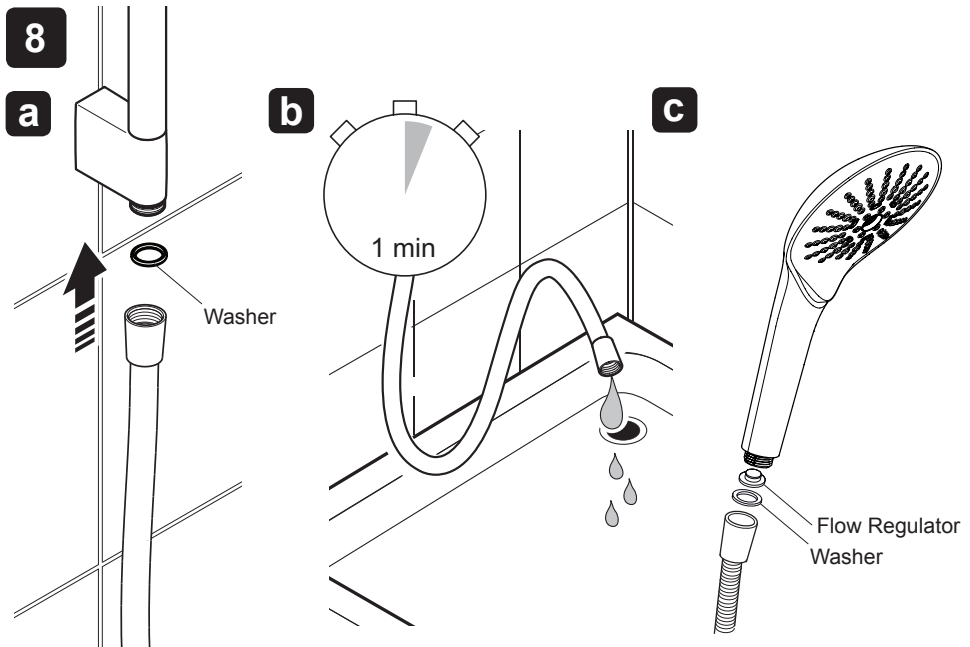
c
Note! If plastic pipe requires shortening, make sure there is enough length to fit elbow (supplied) or alternative push-fit/compression fitting (not supplied).

7



Note! When shortening for use with any push-fit (e.g. John Guest) fitting, follow manufacturer's guidelines for finishing and cleaning the pipe.

8



Fit the shower hose to the end of the slide bar assembly.

Flush the pipework.

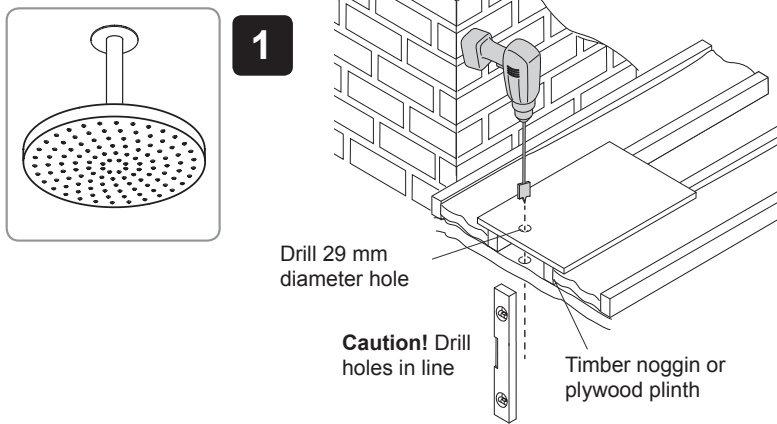
Fit the shower hose to the handset. Make sure that you fit the shower hose and flow regulator.

Ceiling-Fed Deluge Head

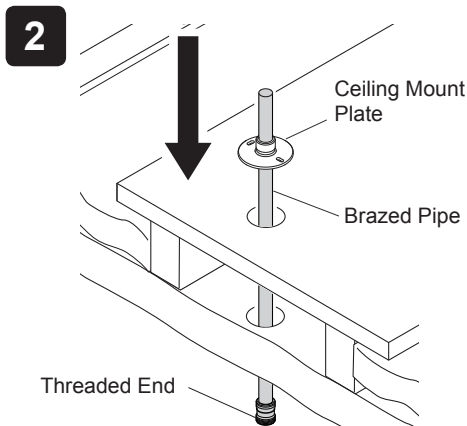
Fix Deluge Head to the ceiling at a convenient height for all the family. Position so that water sprays down over the centre of the bath, or away from the opening of a shower cubicle.

The fitting of the Deluge Head into the ceiling will be easier with two persons.

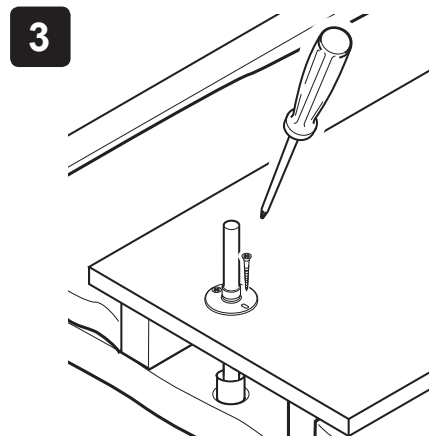
When you are working within the bath or shower tray area use a towel or blanket to protect the surface from damage.



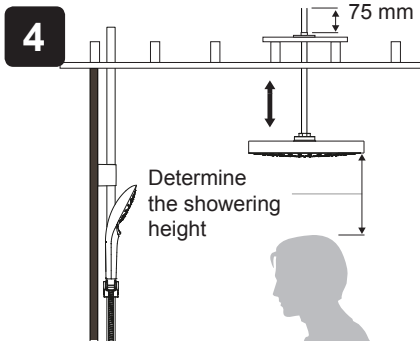
Decide on a suitable position for the Ceiling-Fed Arm avoiding cables and pipes hidden between joists or rafters. **Note!** A timber noggin or plywood plinth securely fixed to the joist should be used to mount the Ceiling-Fed Arm.



Push the brass pipe through the ceiling mount plate then push the threaded end of the brass pipe down through the hole made in the ceiling.



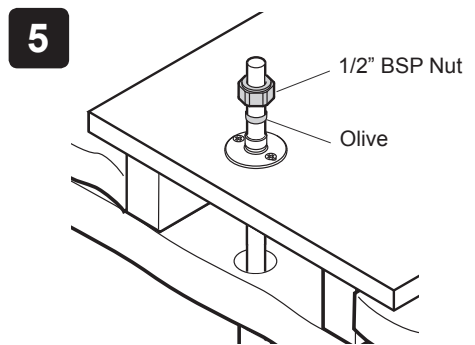
Centralise the brass pipe in the hole then screw the ceiling mount plate to the wooden support.



Offer the ceiling-fed arm to the brass pipe and determine the showering height required.

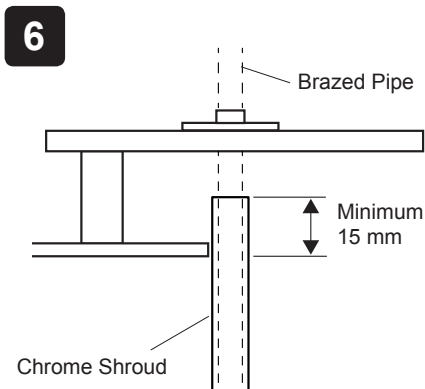
Push or pull the brass pipe using a twisting motion to adjust the height. Check the height is correct and use a 15 mm pipe cutter to cut the pipe to the desired length.

Note! Cut the brass pipe at least 75 mm above the ceiling mount plate to allow room to fit the olive, nut and elbow.

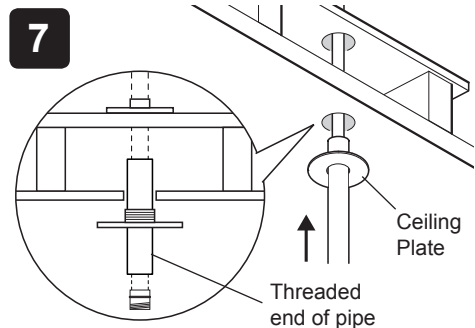


Secure the brass pipe to the ceiling mount plate with the olive and 1/2" BSP nut.

Note! This is not a water tight connection, tighten sufficiently to clamp the pipe in place.



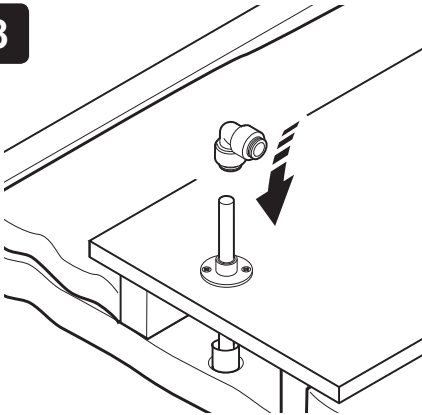
Offer the chrome shroud to the brass pipe and determine the length required to allow the shroud to conceal the brass pipe and protrude into the ceiling space a minimum of 15 mm. Use a pipe cutter to cut the shroud to the desired length.



Push the chrome shroud into the ceiling plate then slide the chrome shroud over the threaded end of the brass pipe and up through the hole until the ceiling plate is secured in the hole and the ceiling plate is flat against the ceiling.

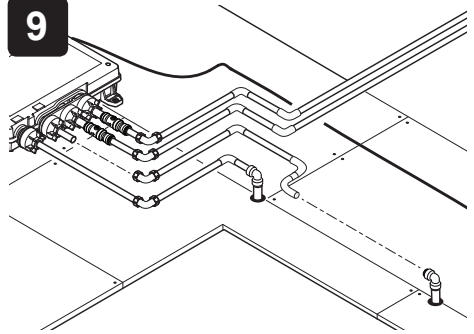
Note! If the hole in the ceiling is oversized use silicone on the underside of the ceiling plate to retain it.

8



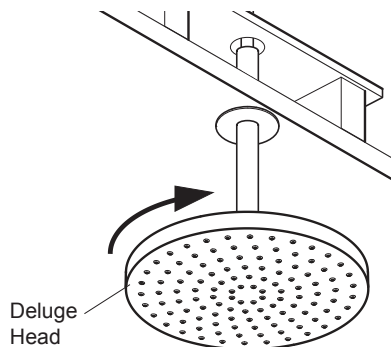
Connect the elbow (supplied) onto the end of the brass pipe. Push all parts together fully.

9



Connect the shower control outlet pipework to the elbow. Fit an isolating valve between the shower control outlet and the elbow to enable easy maintenance. (Pipe and isolating valve not supplied). Lock pipe to elbow using clip supplied. Follow manufacturers guidelines for fitting alternative push-fit connections and flexible pipework.

10



Ensure pipework is thoroughly flushed through before fitting the deluge head. Screw the fixed shower head onto the brass pipe outlet.

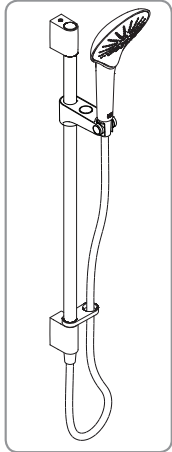
Note! Use two suitably sized wrenches to tighten (approximately 1/4 turn).

Slide the chrome shroud down to conceal the brass pipe. Turn on the shower control and check for leaks.

Rear Fed Slide Bar / Showerhead

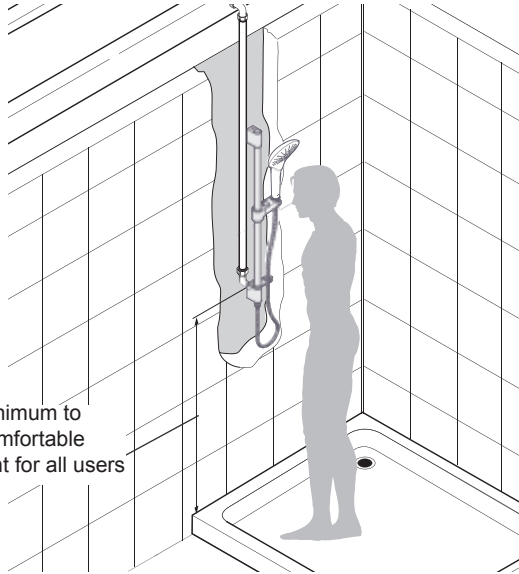
Suitable for solid, dry-lined, stud partition, shower cubicle or laminated panel walls.

Fix at convenient height for all users. Position so that water sprays down the centre of the bath, or away from the opening of a shower cubicle. Water should spray away from the interface when the Showerhead is held on the Slide Bar.

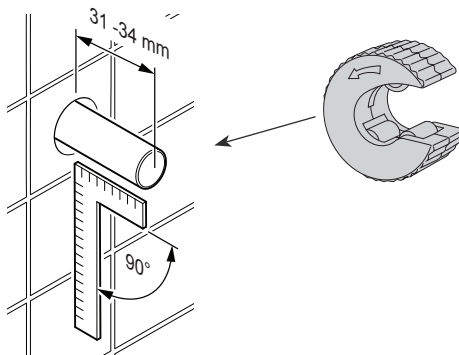


1

1300 mm Minimum to achieve a comfortable shower height for all users

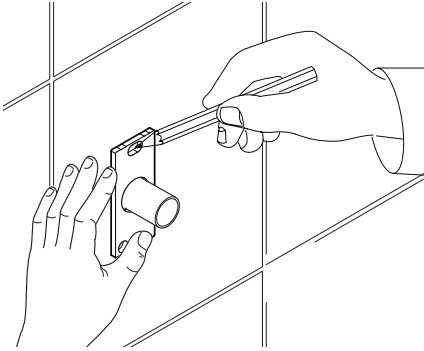


The right angle connector must be fitted to a waterproof, flat and even wall surface. The screws and wall plugs supplied are suitable for most solid wall installations. Alternative fixing screws for panel structures are not supplied. Use both fixing points to secure the right angle connector, be sure to use fixings appropriate for the chosen wall structure



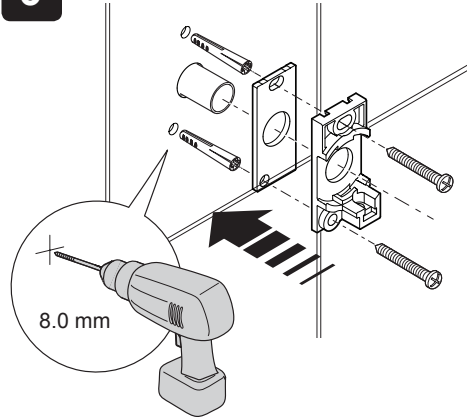
Using a suitable pipe cutter, trim the pipework back to the required depth from the finished wall surface. Remove all burrs and sharp edges.

2



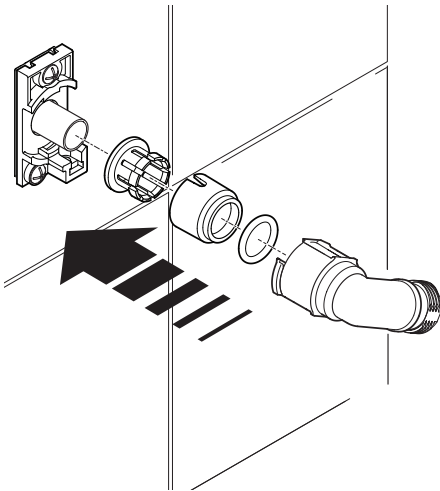
Mark the positions for the fixing holes for the RAC back plate.

3

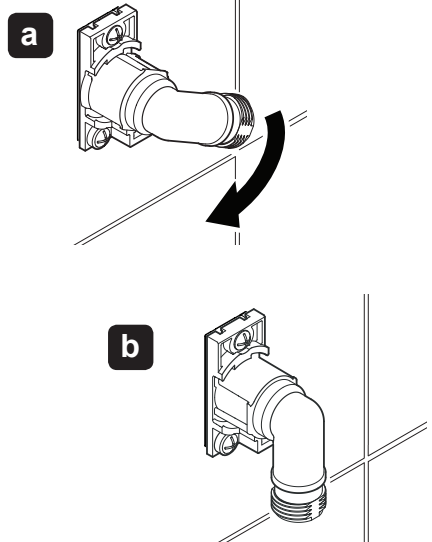


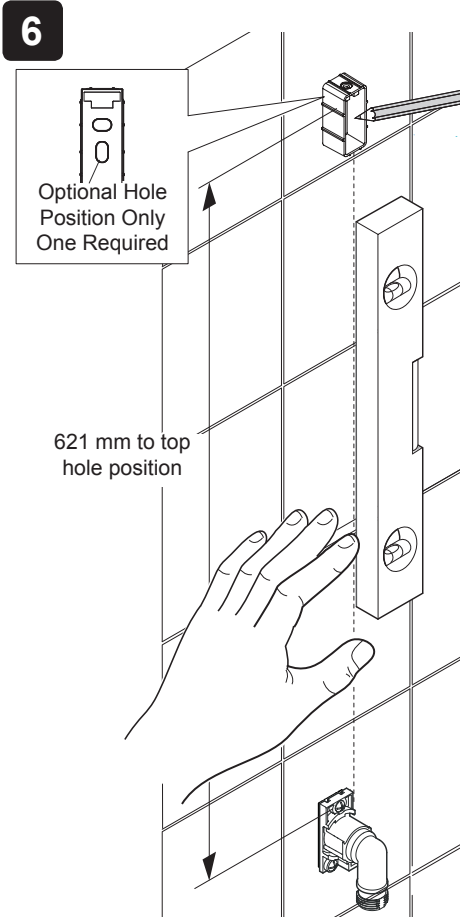
Drill the fixing holes, fit the wall plugs and secure the backplate to the wall with two fixing screws.

4

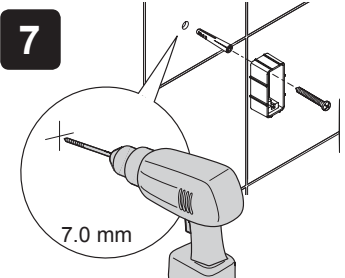


5

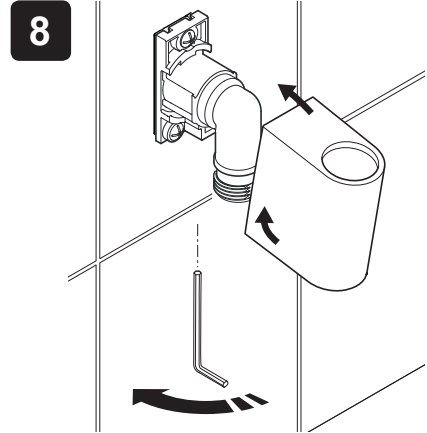




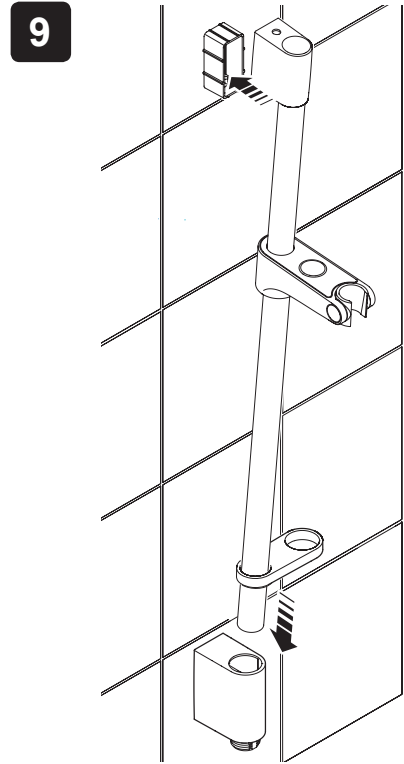
Temporarily hold the top support in position. Make sure that it is level and mark through the position of the fixing hole in the top support



Drill the fixing hole for the top support and fit the wall plug.

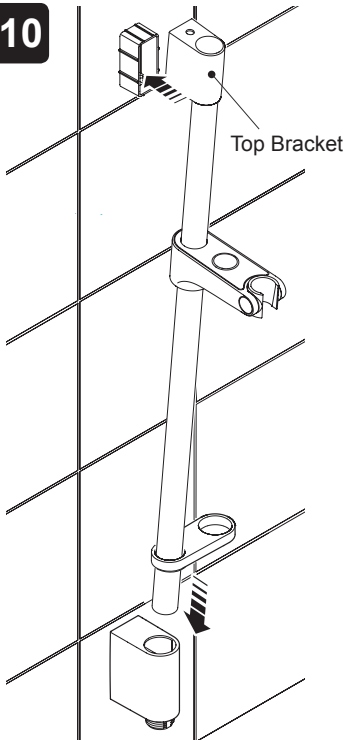


Fit the cover over the elbow, and tighten the screw anti-clockwise.



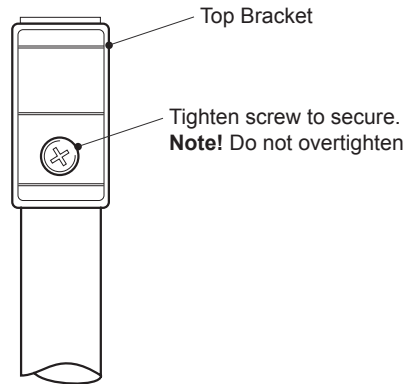
Fit all the components onto the slide bar and fit the slide bar assembly in position, making sure that it locates correctly.

10



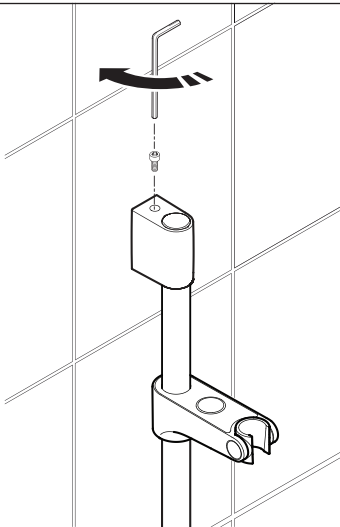
Carefully remove the slide bar assembly and tighten the screw on the back of the top bracket to secure in position.

Refit the fit the slide bar assembly in position.



Rear View of Top Bracket

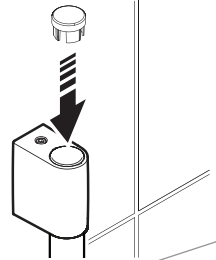
11



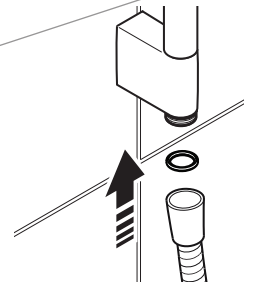
Secure the assembly in position with the screws. The top securing screw tightens **Clockwise**, the bottom one **Anti-clockwise**. **Do not overtighten!**

12

a



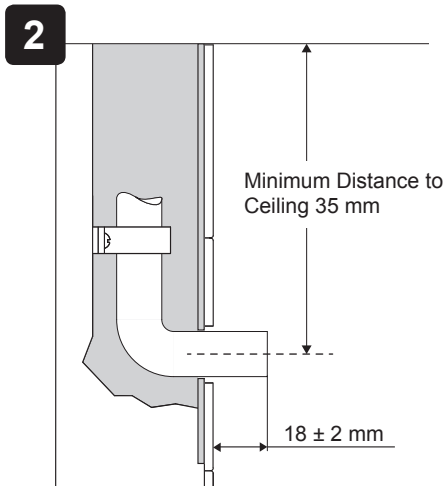
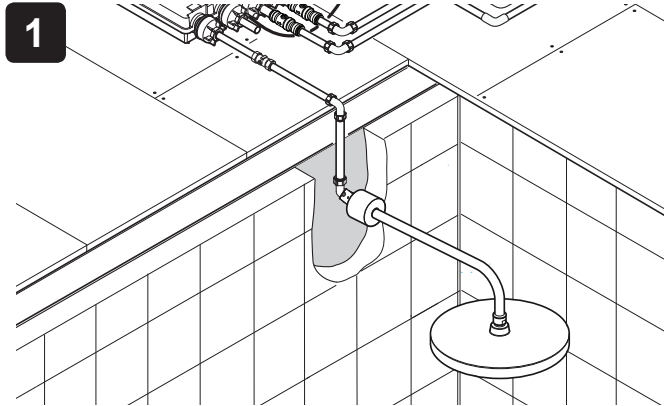
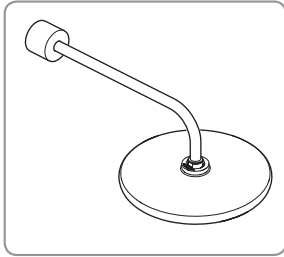
b



Fit the cap to the top of the slide bar and fit the hose to the bottom outlet.

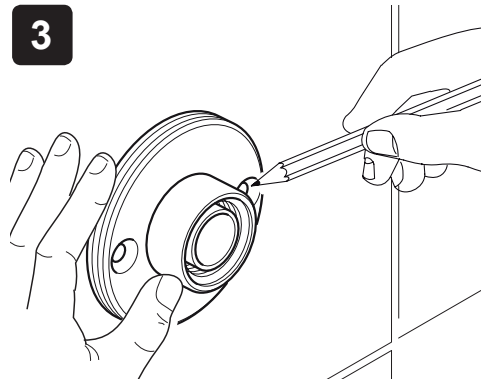
Rear Fed Shower Arm and Deluge Head

Fix at convenient height for all users. Position so that water sprays down the centre of the bath, or away from the opening of a shower cubicle. Make sure that the water sprays away from the interface and the showerhead.



The outlet pipe must protrude 18 mm (± 2 mm) from the finished wall surface and a minimum 35 mm from the ceiling.

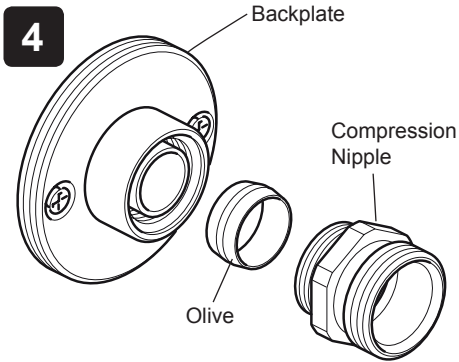
Note! Cut the pipe to the correct length and remove any burrs.



Mark the positions of the backplate fixing holes.

Caution! Be aware of hidden pipes or cables.

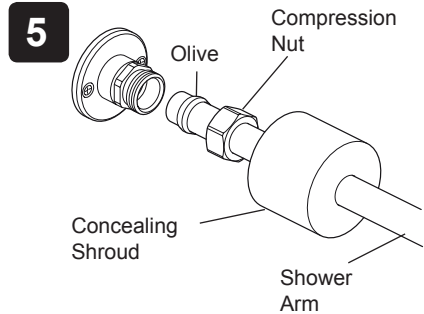
For solid walls drill the fixing holes for the backplate with a 6 mm drill and insert the wall plugs (supplied). For other types of wall structure alternative fixings may be required (not supplied).



Carefully fit the backplate over the outlet pipe and secure with the fixing screws (supplied).

Caution! Take care not to damage the 'O' Seal in the back of the backplate.

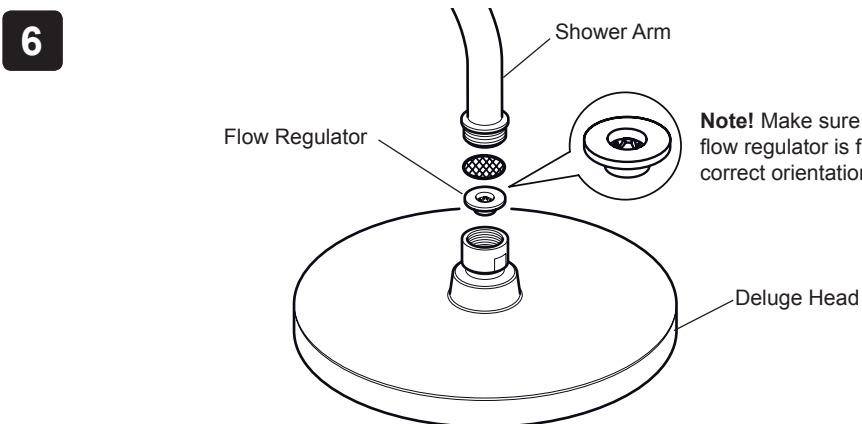
Fit the olive and compression nipple over the outlet pipe and tighten the compression nipple.



Fit the concealing shroud, the compression nut and the olive onto the shower arm.

Fit the shower arm into the compression nipple and tighten the compression nut.

Hand tighten the concealing shroud onto the backplate.



Do not fit deluge head until after the pipework has been fully flushed through. Screw the deluge head onto the shower arm by hand.

Note! Use a suitably sized wrench to fully tighten (approximately 1/4 turn).

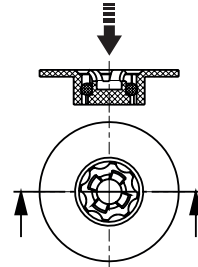
Flow Regulation at Outlets

It is recommended that appropriate flow regulators should be fitted to the handset and deluge head.

Note! The flow regulator in the deluge head should always be greater than the handset. The customer can use a combination of the provided flow regulators to meet their system and user requirements. The flow regulators provided are as follows:

Colour	Flow rate
White	12 litres/min
Lilac	9 litres/min
Pink	6 litres/min

Direction of Flow



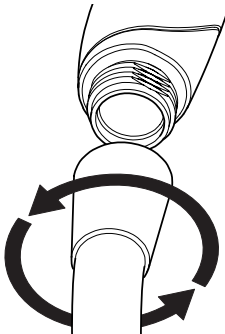
Cleaning and User Maintenance

Important! Keeping the showerhead clean and free from limescale will ensure that your shower and showerhead continue to perform to their maximum. A blocked showerhead can restrict the flow rate and may cause damage to your shower.

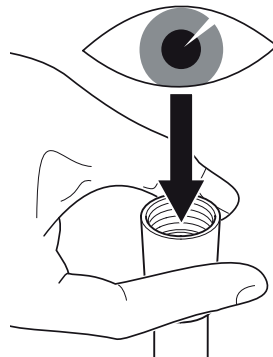
Use your thumb or a soft cloth to wipe any limescale from the nozzles.

Inspecting the Hose

Important! The shower hose should be inspected periodically for damage or internal collapse, internal collapse can restrict the flow rate from the showerhead and may cause damage to the shower. Remove the shower hose from the shower, inspect and replace the hose if necessary.



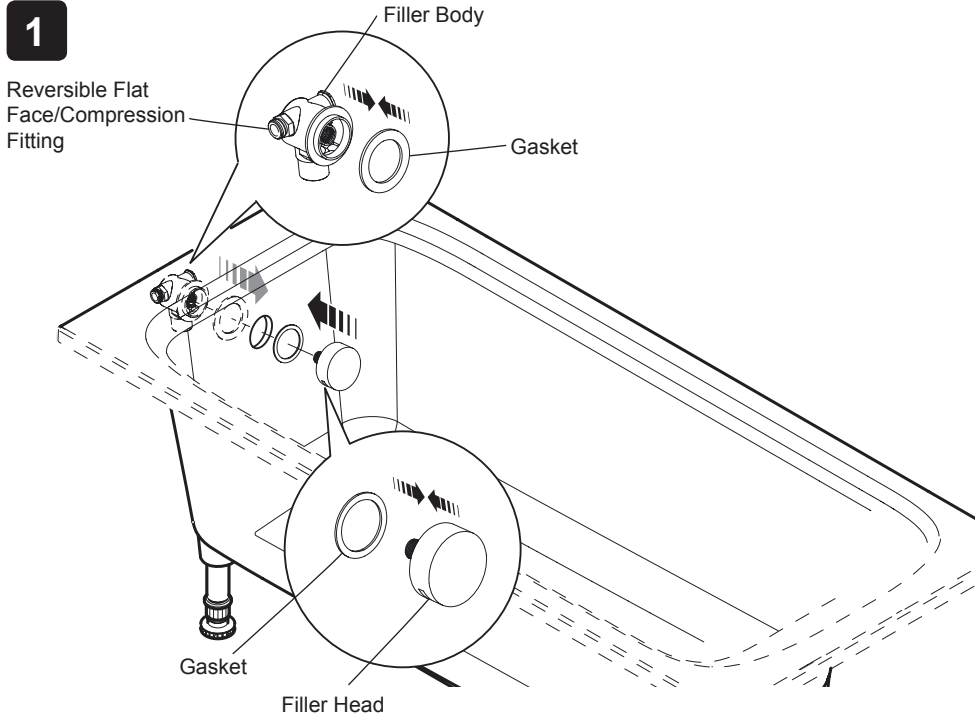
Unscrew the hose from the showerhead and the shower outlet.



Inspect the hose.

Install the Bath Filler

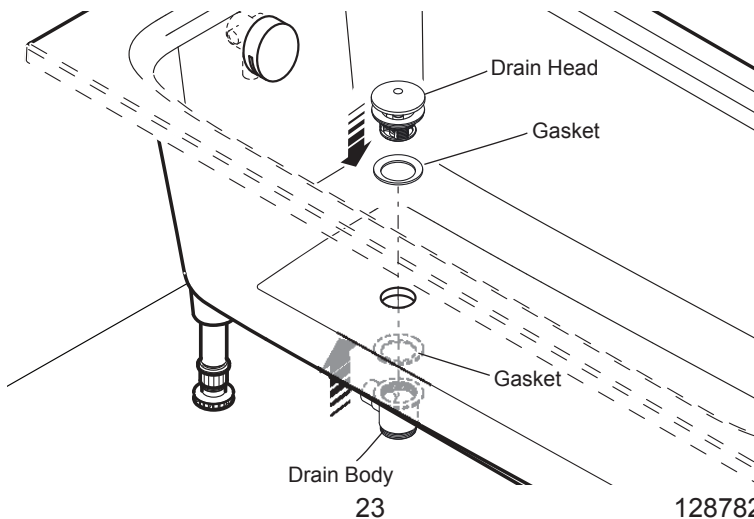
1



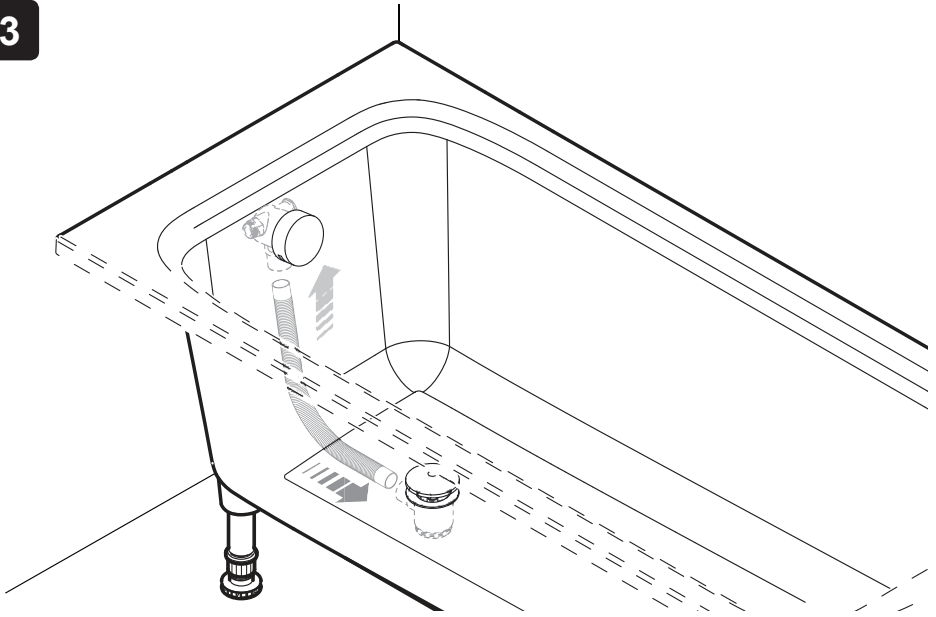
Note! Make sure that you use PTFE tape when installing the filler head.

Important! When installing the Digital Mixer Valve to be used as a bath filler ensure the flow rate of the bath overflow fitted exceeds the flow rate output from the Digital Mixer Valve.

2

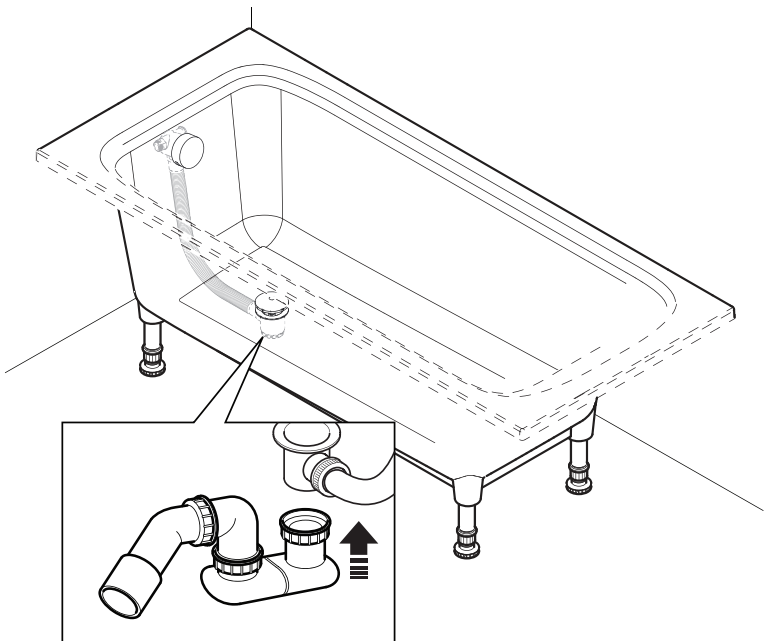


3



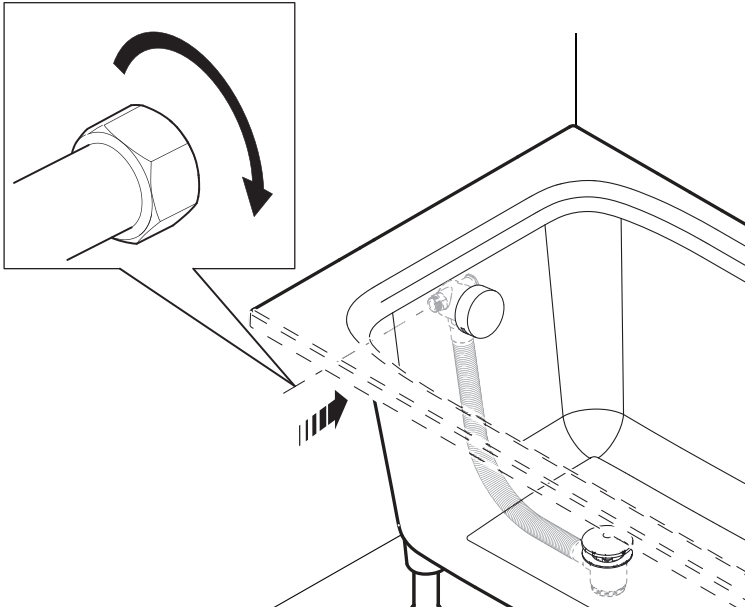
Fit the flexible pipe in position and secure with clips supplied.

4



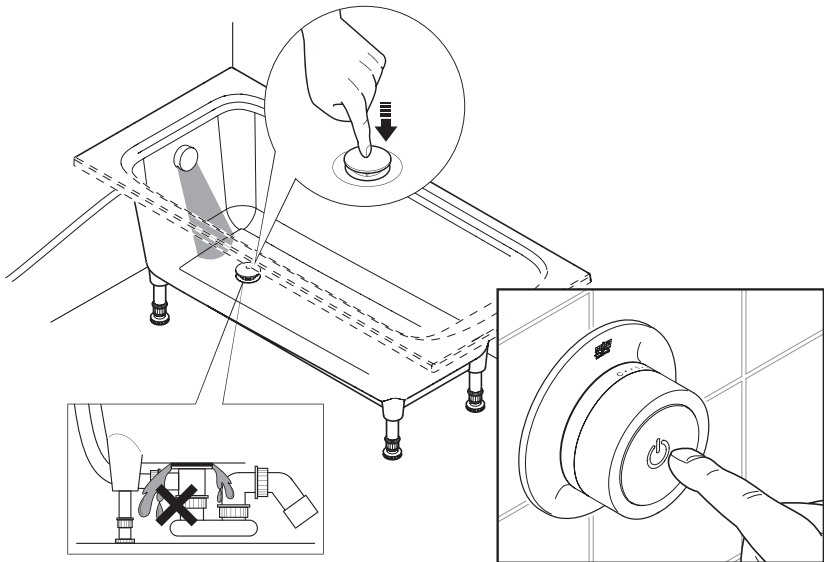
Note! Waste fittings not supplied.

5



Connect the water supply to the bath filler using appropriate pipework (minimum 15 mm diameter).

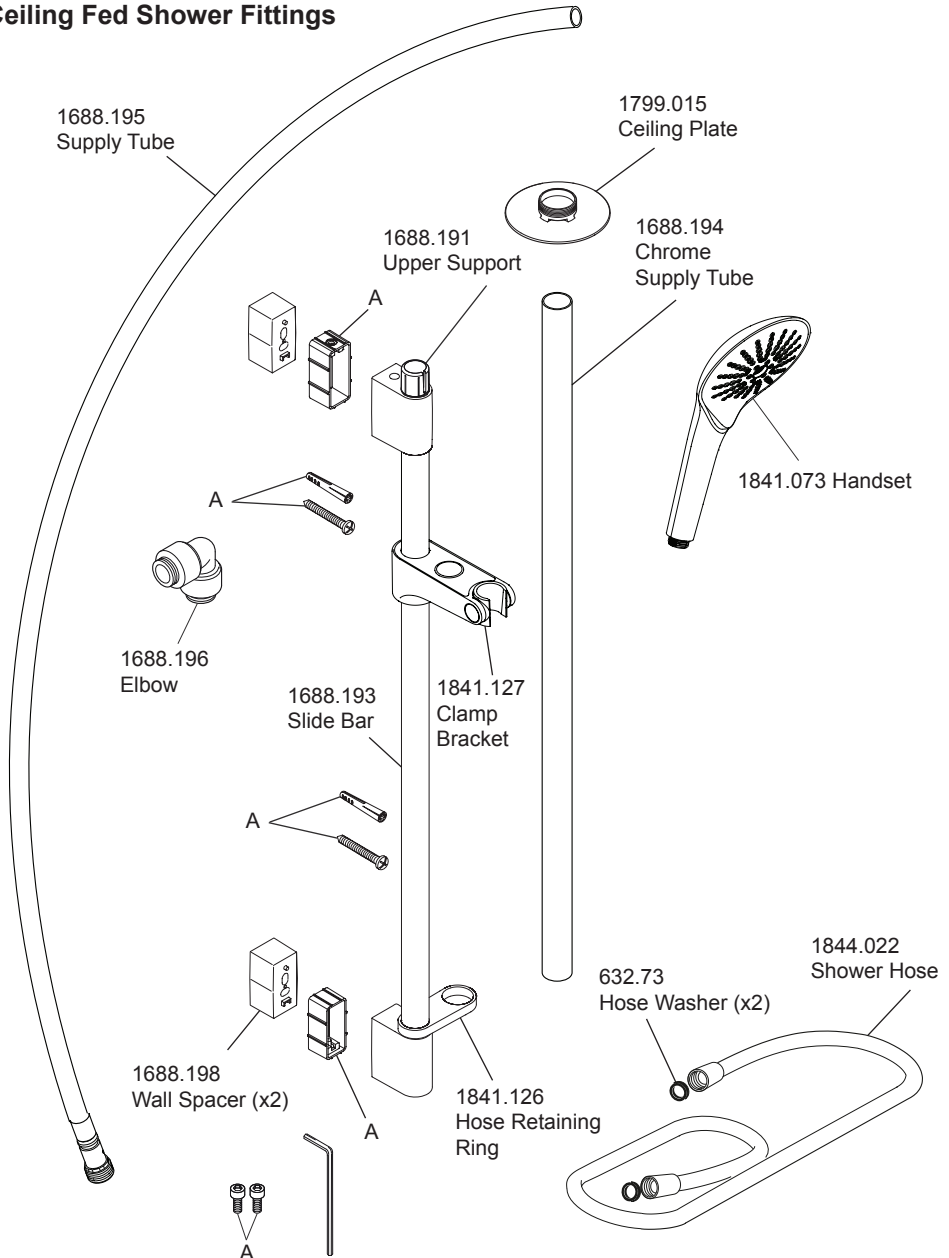
6



Turn on the water supply and check for leaks from the waste and the bath filler connections.

Spare Parts

Ceiling Fed Shower Fittings

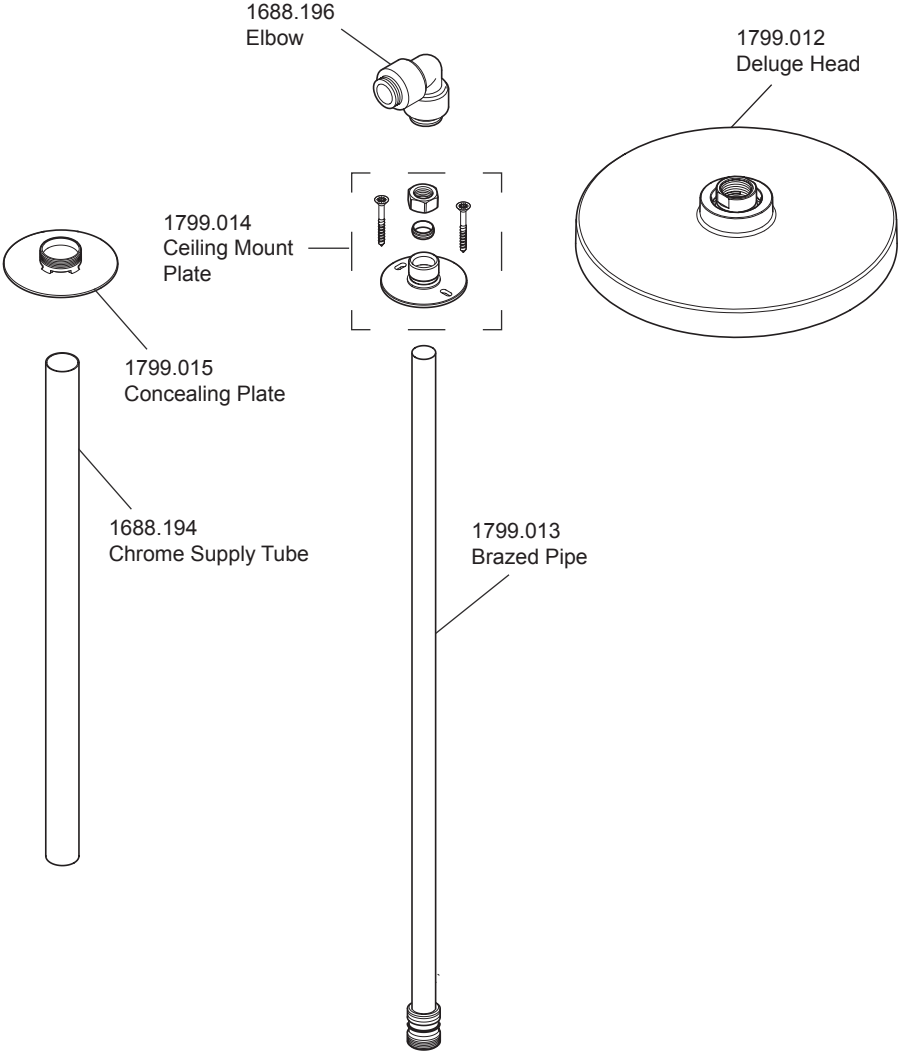


1688.184 Seal and Screw Pack - not illustrated

1688.190 Classic Fittings Component Pack - Components identified 'A'

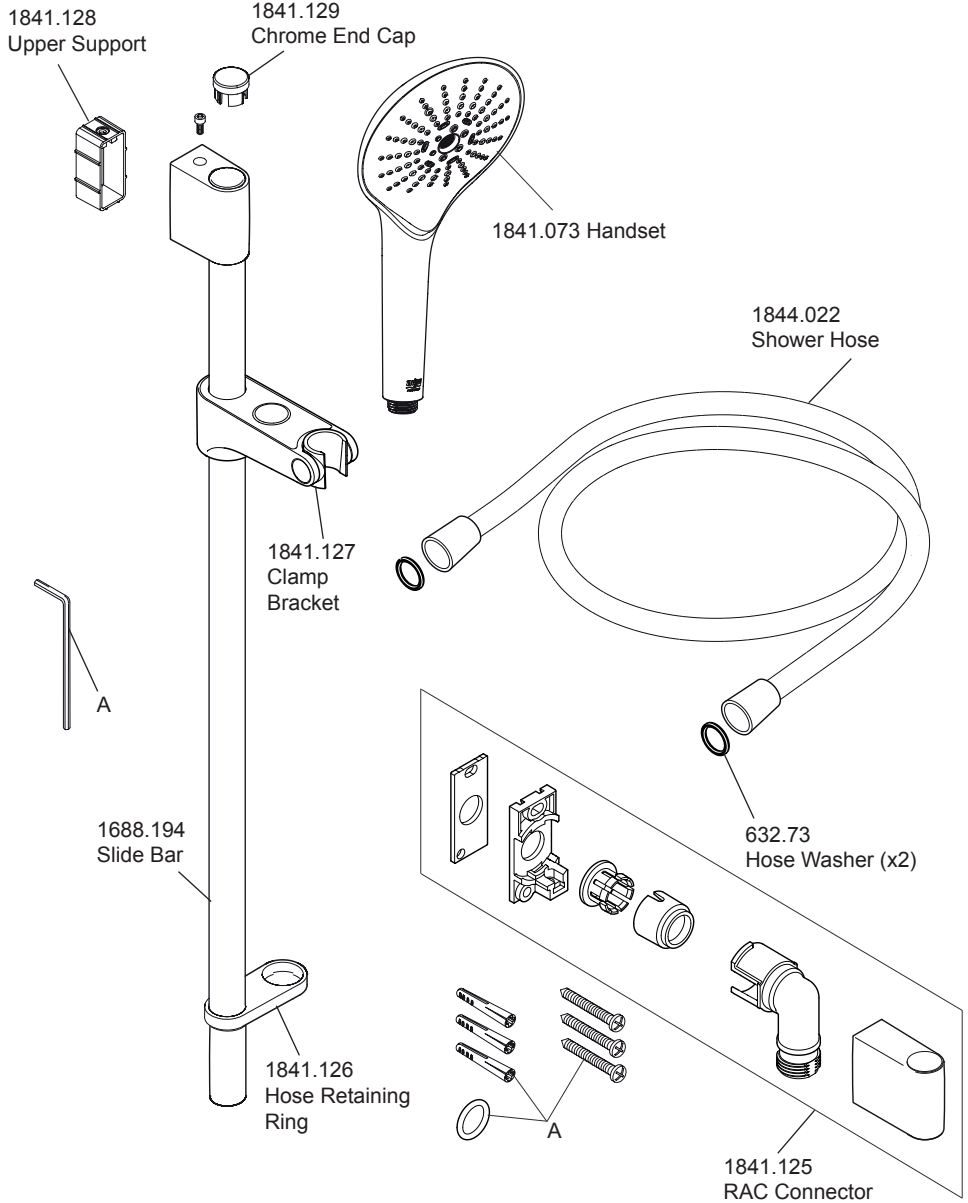
1874.295 Flow Regulator Component Pack - not illustrated

Ceiling-Fed Deluge Head



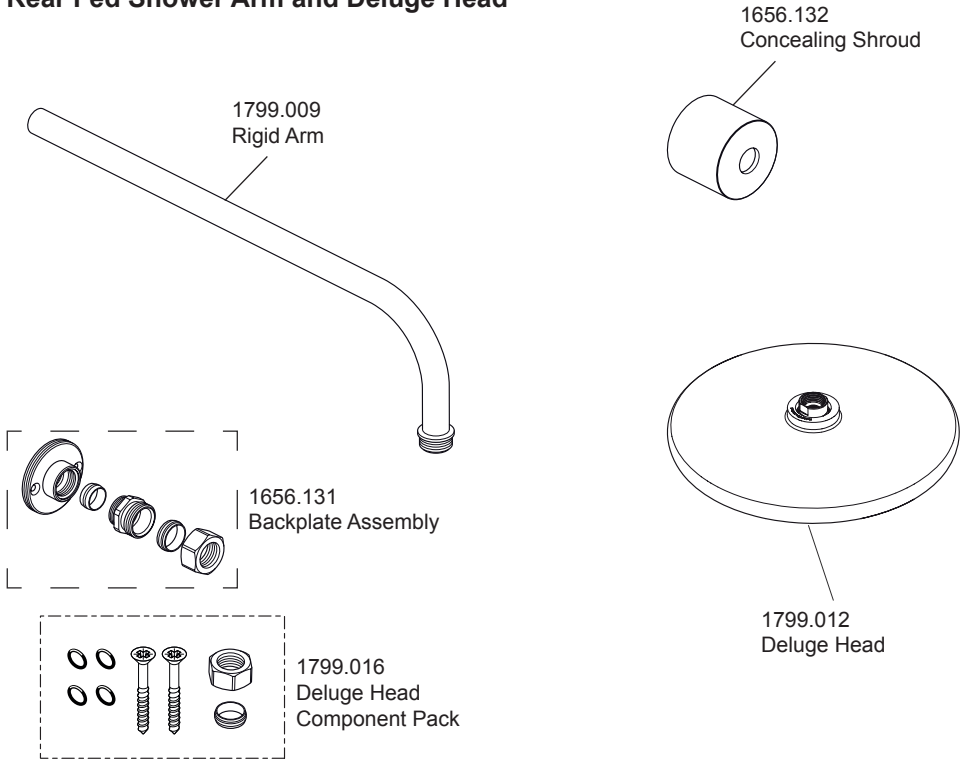
1874.295 Flow Regulator Component Pack - not illustrated

Rear Fed Slide Bar / Showerhead

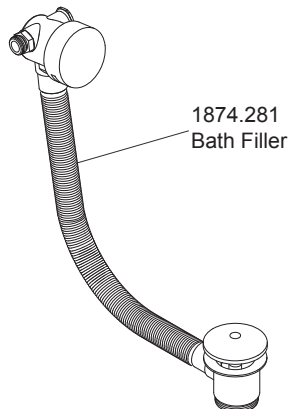


1841.130 Component Pack - Components Identified 'A'
 1874.295 Flow Regulator Component Pack - not illustrated

Rear Fed Shower Arm and Deluge Head



Bath Filler



Notes

Notes

Customer Service

Guarantee

Your product has the benefit of our manufacture's 1 year guarantee which starts from date of purchase. This guarantee only applies in the United Kingdom and Republic of Ireland. Within the guarantee period we will resolve defects in materials or workmanship, free of charge, by replacing parts or product as we may choose.

This guarantee is in addition to your statutory rights and is subject to the following conditions :

- The product must be installed and maintained in accordance with the instructions given in this user guide.
- Replacement under this guarantee does not extend the original expiry date .
- The guarantee on any replacement parts or product ends at the original expiry date.

The guarantee does not cover:

- Non product faults (such as damage or performance issues arising from incorrect installation, improper use, inappropriate cleaning, lack of maintenance, build up of limescale, frost damage, corrosion, chemical attack, system debris or blocked filters) or where no fault has been found with the product.
- Accidental or wilful damage.
- Compensation for loss of use of the product or consequential or indirect loss of any kind.
- Damage or defects caused if the product is repaired or modified by persons not authorised by us or our appointed representative.

What to do if something goes wrong

If your product does not function correctly when you first use it, check that it is installed and commissioned in accordance with the instructions in this manual. If this does not resolve the issue, contact us for help and advice.



Helpdesk Service

Our Customer Services Team is comprehensively trained and can offer help and advice, spare parts and accessories. We will need you to have your model name or number and date of purchase. Please provide your model name and date of purchase.



Mira Showers Website

(www.mirashowers.co.uk)

From our website you can download additional user guides, diagnose faults, purchase our full range of accessories and popular spares and refer to our FAQ's



Spares and Accessories

We hold the largest stocks of genuine Mira spares and accessories. Contact us for a price or visit our website to purchase items from our accessory range and popular spares. (Only available in the United Kingdom)

To Contact Us: UK



0800 001 4040



Fax: 01242 282595



Email

www.mirashowers.co.uk/contactus



By Post:

Mira Customer Services Dept, Cromwell Road,
Cheltenham, Gloucestershire GL52 5EP

To Contact Us: Eire Only



01 531 9337



E-mail:

CustomerServiceEire@mirashowers.com

*Mira is a registered trade mark of
Kohler Mira Limited.*

*The company reserves the right to alter
product specifications without notice.*



mira
SHOWERS