

Cleaning

All chrome surfaces should be cleaned using a clean damp cloth.

No abrasive cleaning agents or materials should be used.

General glass cleaner can be used for the screen, but ensure that this will not damage the chrome, check the cleaning information on the product before use.

Product Specification

Height: 1435mm

Glass thickness: 6mm

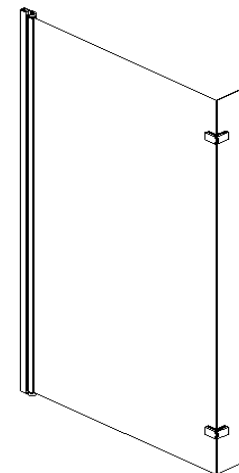
Adjustment: 768-793mm

Telephone

0333 777 4777

L Shaped Bath Screen Movable

16654



Please retain this manual after installation for future reference and maintenance.

Images are for installation purposes only.



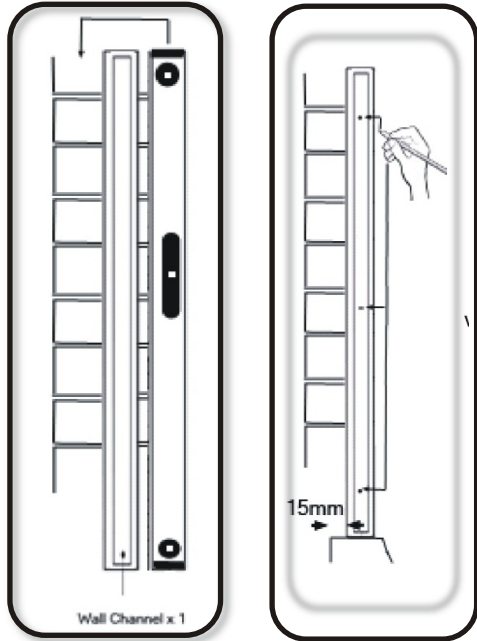
IMPORTANT

Handle with care, impact can damage both the glass and frame

Check for pipes and wires prior to drilling

Use of safety equipment is advised

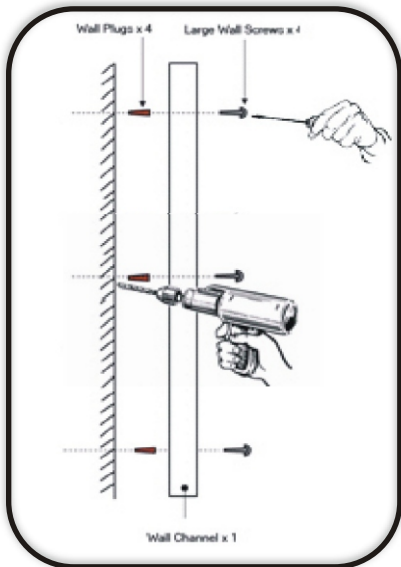
Two people may be required for parts of the installation



Place the wall channel onto the edge of the bath approx 15mm in from outer edge, against the finished wall surface.

Using a spirit level check that the wall channel is vertical on either side.

Once the position has been set, mark the channel drill holes for drilling

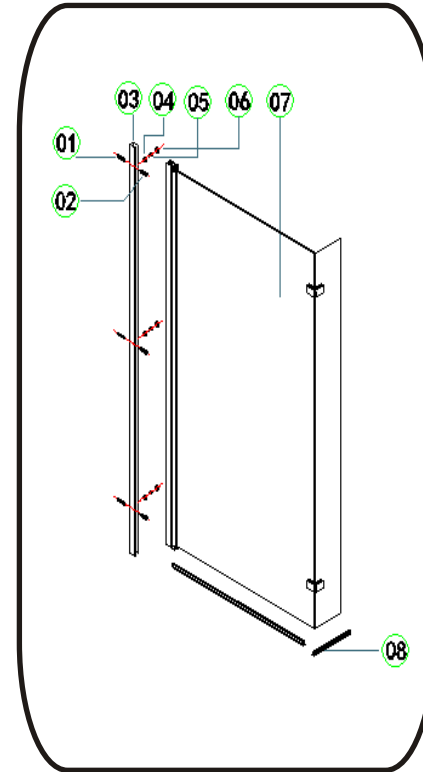


Remove the wall channel.

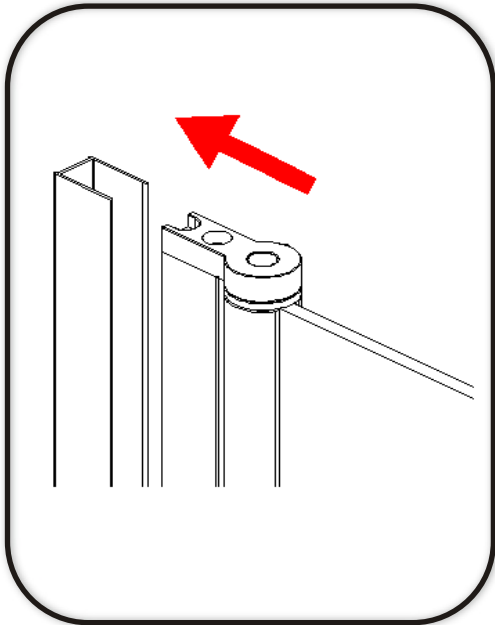
Drill the holes and insert the plugs, tap in so flush with finished wall.

Place the wall channel against the wall and secure wall channel, using the screws provided.

Product Parts



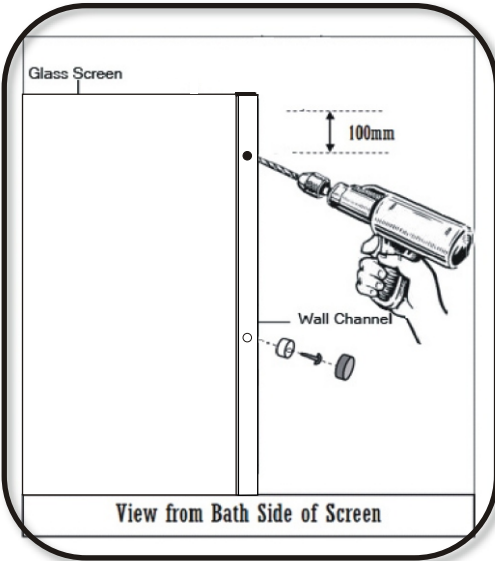
NO.	Item	Drawing	QTY
01	Wall Plug		3PCS
02	Wall screw		3PCS
03	Wall Channel		1PCS
04	Screw Cup		3PCS
05	Channel Screw		3PCS
06	Screw Cap		3PCS
08	Bottom Seal		2PCS



Push the side pillar into the fixed wall channel.

Adjust the side pillar to make the panel level above the bath.

Once the level has been achieved drill through the wall channel and side pillar.



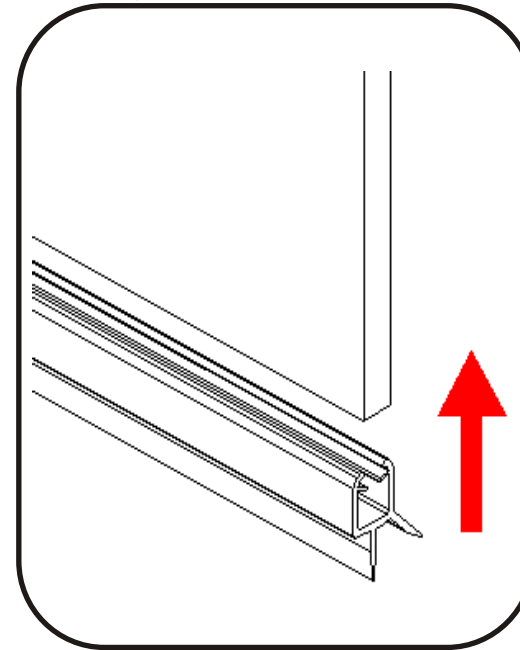
Drill through the wall channel and side pillar from inside the shower screen.

DO NOT DRILL THROUGH BOTH SIDES OF THE ASSEMBLY

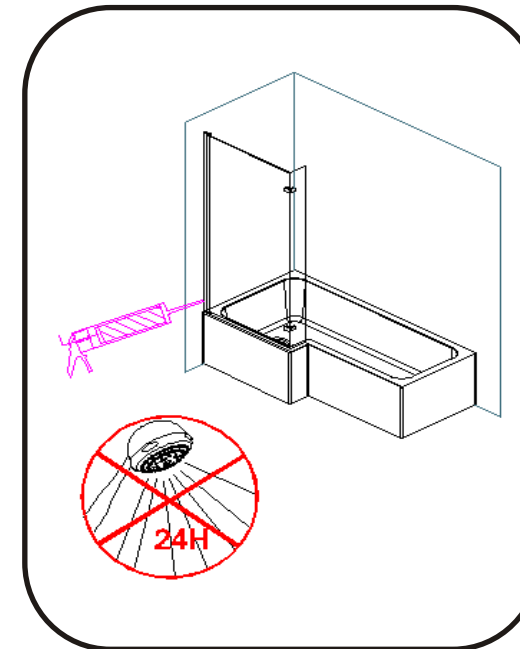
Drill the top and bottom holes 100mm from each end then the remaining two holes, equally spaced.

Once drilled secure the side pillar into the wall channel using the screws provided.

Then fit screw covers



Fit the rubber seal to the bottom of the screen, ensuring it is fully pushed onto the glass.



Seal along the side of the wall channel, along the bottom edge of the wall channel and around the pivot joint.

The seal should be done on the outside of the screen only.

The seal should be left for 24 hours to set, before use.