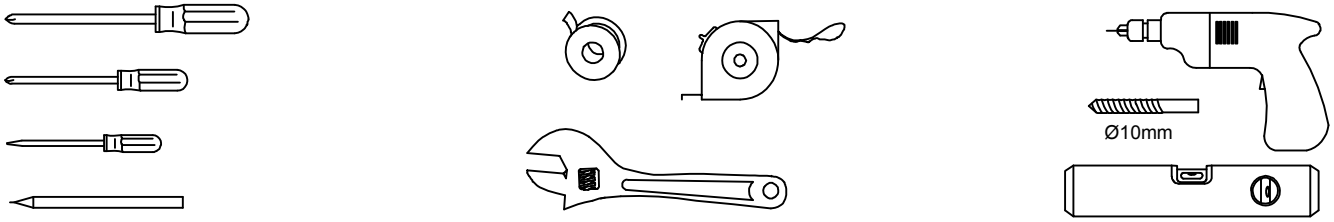


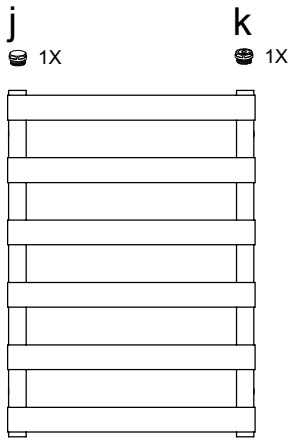
Designer Chrome Towel Radiator

Installation Instruction

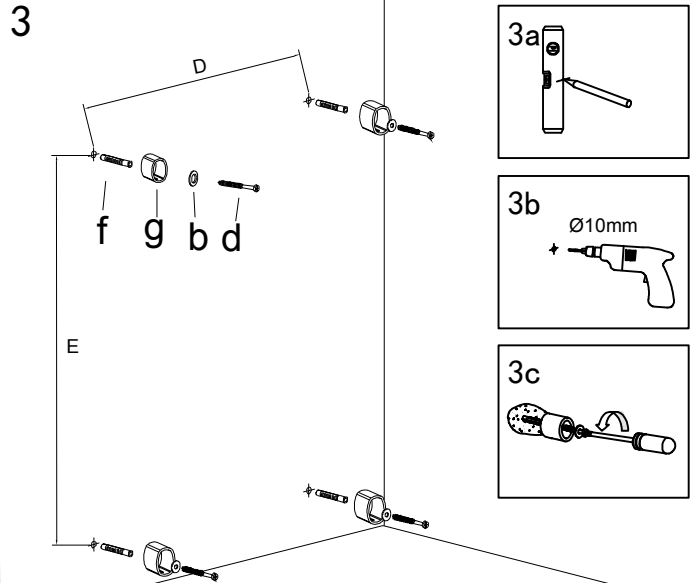
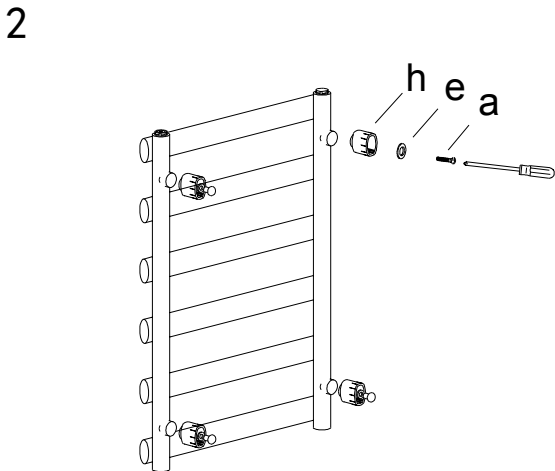
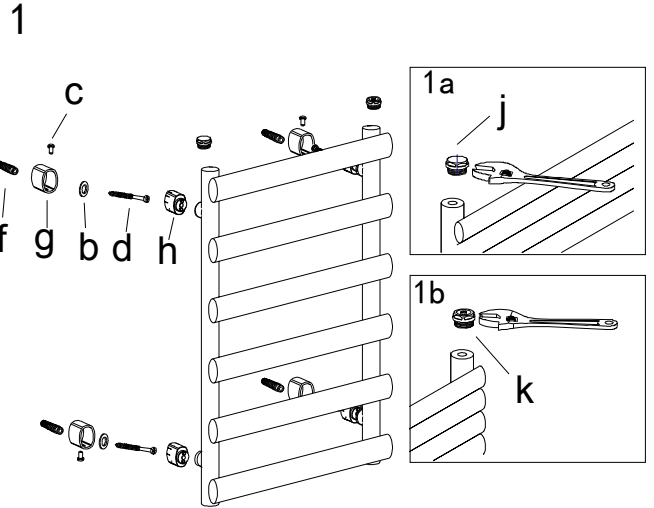
tools required



- SKU: R25
- review instructions carefully before installation
- installation should be completed by a suitably qualified person
- please dispose of packaging in a responsible manner



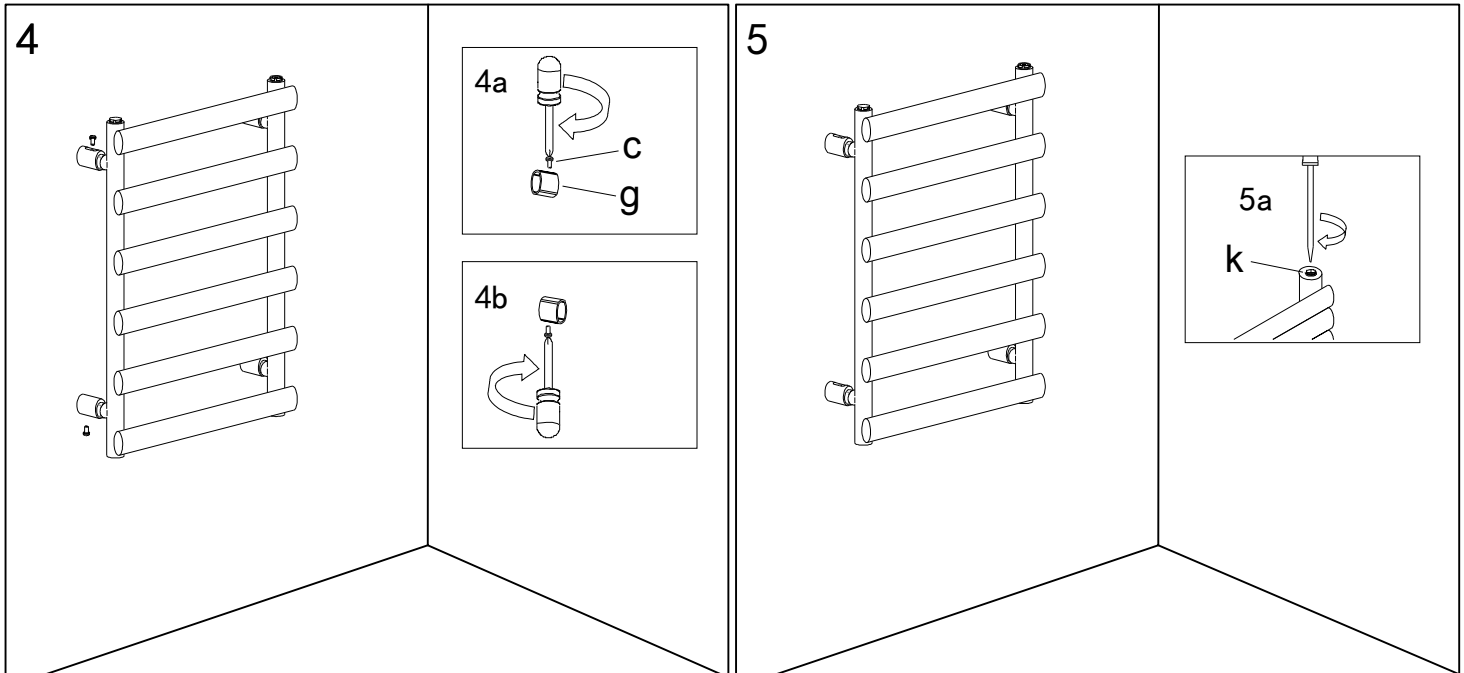
- a** 4x
M6x12
- b** 4x
- c** 4x
M5x12
- d** 4x
ST6x65
- e** 4x
- f** 4x
- g** 4x
- h** 4x



700X500	1150X500
D=450mm	D=450mm
E=520mm	E=970mm

Designer Chrome Towel Radiator Installation Instruction

2-2



After installation ...

- . The following should be completed once valves have been installed to the towel rail
- . Use a screwdriver to open the air vent, open the inlet valve and let the water rush into the towel rails. Check all connections for leaks.
- . Once water overflows from the air vent, there is no air in the tube.
- . Use a screwdriver to close the air vent. Turn on the outlet valve and the towel is ready for use.
- . NOTE: This product can be fitted to a central heating system provided that it has been treated with a Corrosion inhibitor. If you are unsure whether your system has been or can be treated please seek advice from a qualified plumber. The product can also be installed even if you do not have a central heating system. Please follow the advice carefully in the Heating Element fitting instructions
- . Please Note: If this item is being used as an electrically heated towel rail only (not connected to the central heating system) the towel rail must be filled with a water/glycol mix, this towel rail is not pre-filled
- . Leave a 5% air gap and fill the remaining with 80% water and 20% glycol

Maintenance...

- . The outside of the towel rails can be cleaned using warm soapy water. Do not use scouring powders or acid based products as these could damage the finish.
- . It is recommended that the unit should be drained if not in use and ambient temperatures are below 0°C (32°F) to prevent damage from the filling freezing. To remove any oxidization.
- . If the water temperature in the system exceeds 50°C (122°F), please install a warning mark near the towel to avoid being scalded.
- . If the product is not used for a prolonged period (for example spring, summer), ensure the towel rails are kept filled containing a rust inhibitor to prevent oxidization on the inside of the unit. And keep maintenance in regular time for surface cleaning.
- . This product should only be used with a maximum pressure of PN ≤ 1MPa (10Kg/CM², 10Bar). Only for use with water. Maximum temperature t ≤ 100°C (212°F).