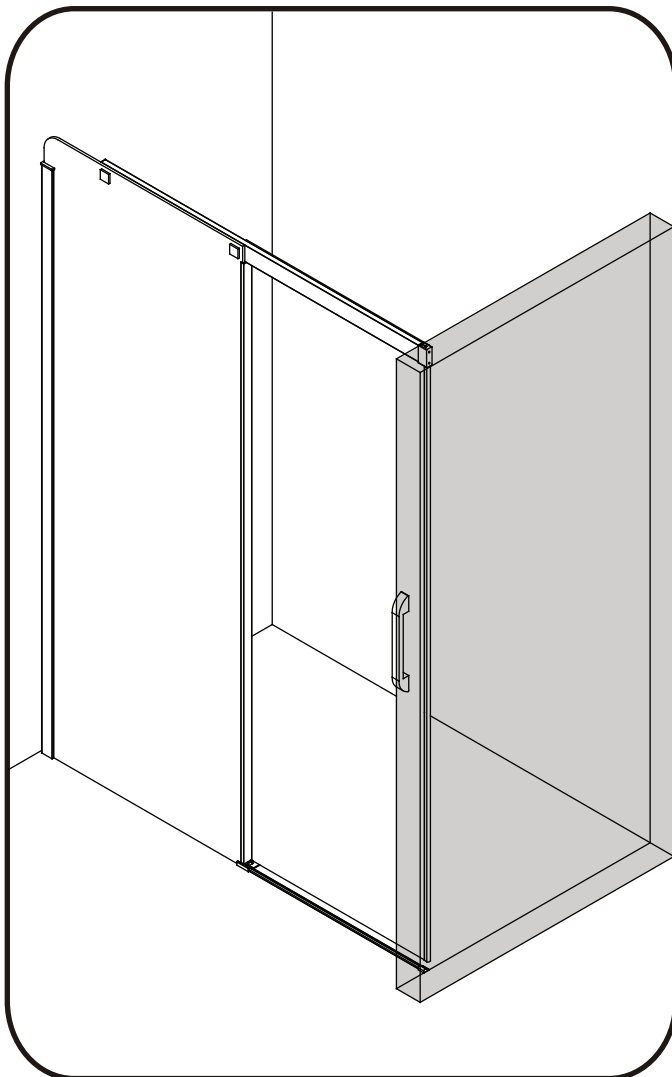


Slider - Recess

INSTALLATION INSTRUCTIONS

www.aprilproducts.co.uk

N.B : When fitting with a side panel please refer to the side panel instruction



Lifetime Product Guarantee

ATTENTION!

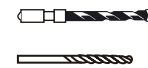
Are you fitting this April enclosure to an April shower tray?
The Lifetime Product Guarantee is only valid when an April enclosure is fitted with an April shower tray and are used and maintained in accordance with the manufacturer's instructions (guarantee excludes seals and magnets).
When April enclosures are used with any other shower tray the guarantee period is limited to 10 years.
Please see our website for full Terms & Conditions.

To activate your Product Guarantee please visit www.aprilproducts.co.uk and complete the online form.

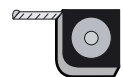
Tools Required



Drill



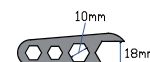
8mm Masonry Drill
2.75mm HSS Drill



Tape Measure



Spirit level



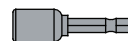
hex wrench



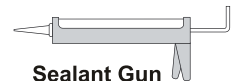
PH2 TYPE
Screwdriver



Pencil



hex wrench



Sealant Gun

Please note hand tools **NOT** supplied.

IMPORTANT

The screen can be constructed either way up, for left or right hand opening.

These instructions assume that installation is done against solid/tiled walls.

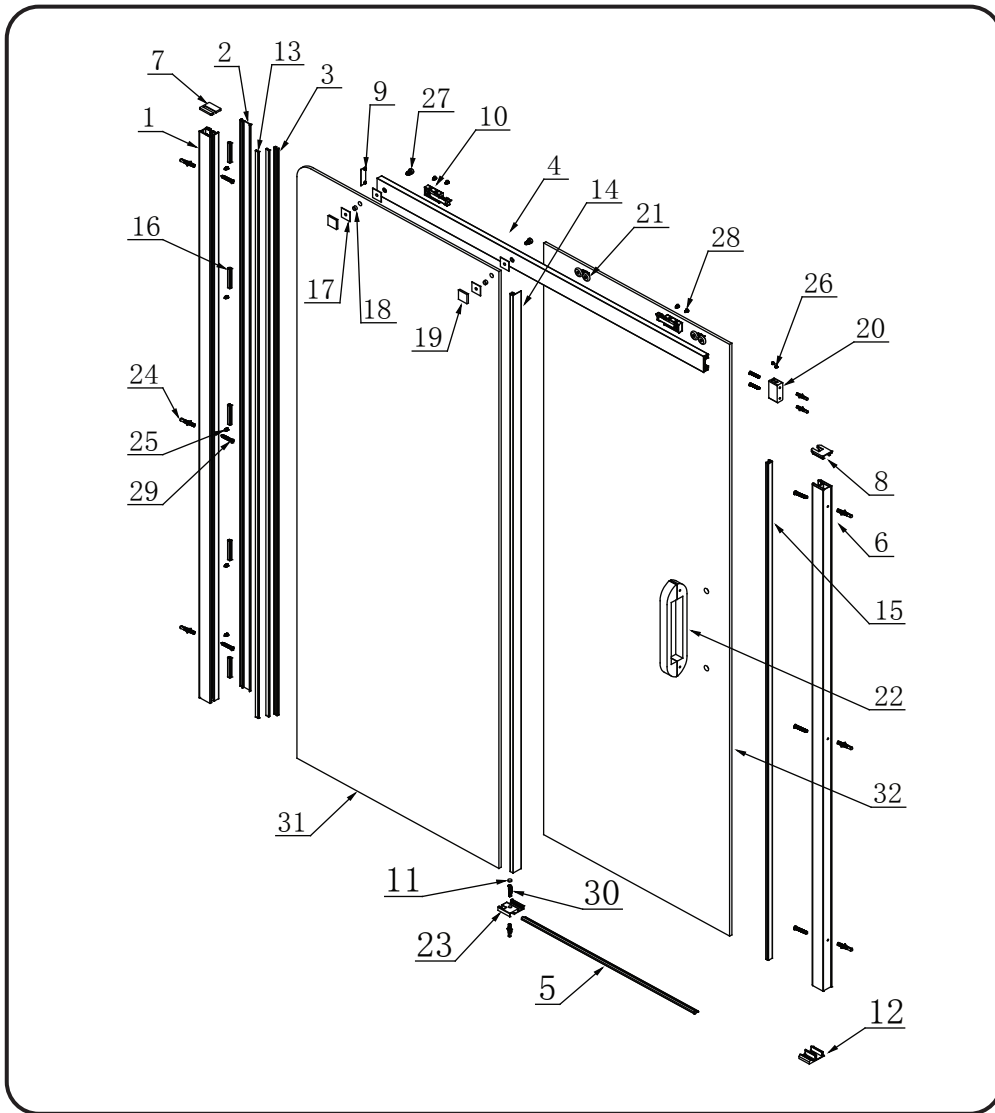
The wall plugs supplied with the installation kit are for use on solid walls. Hollow or stud partition walls will require alternative fixings. Please consult with a reputable trades person or hardware supplier for the correct type of fixing.

It may also be necessary to consult your tiling supplier about the correct method for drilling your tiles.

Please check this product for damage prior to starting the installation. No claims can be made after the product has been fitted. This is a 2 person installation. Please note the minimum and maximum adjustment for this product are based on perfectly plumb walls.

USE SAFETY EYE-WEAR WHEN DRILLING

COMPONENTS AND BOX CONTENTS

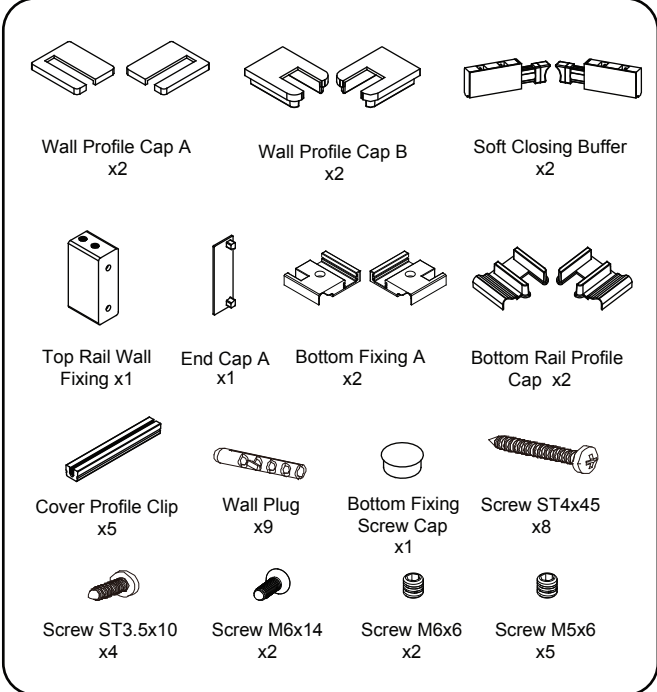
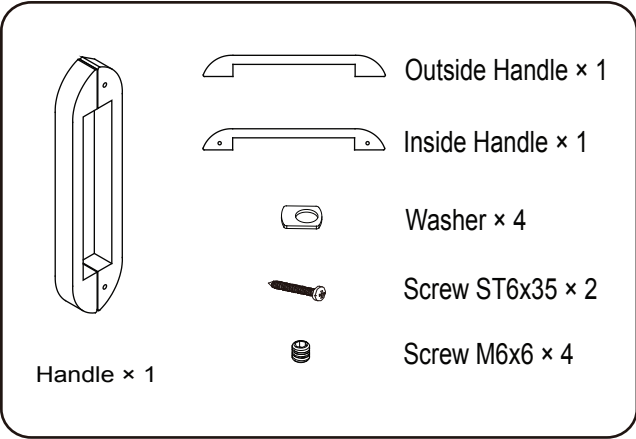


Box Contents

NO	Description	Qty	NO	Description	Qty
1	Wall Profile A	1	17	Gasket	4
2	Cover Profile	1	18	Round Washer	2
3	Upright Profile	1	19	Fixing Clamp	2
4	Top Rail Profile	1	20	Top Rail Wall Fixing	1
5	Bottom Rail Profile	1	21	Roller	2
6	Closing Profile	1	22	Handle	1
7	Wall Profile Cap A	1 SET	23	Bottom Fixing A	1 SET
8	Wall Profile Cap B	1 SET	24	Wall Plug	9
9	End Cap A	1	25	Screw M5x6	5
10	Soft Closing Buffer	1 SET	26	Screw M6x6	2
11	Bottom Fixing Screw Cap	1	27	Screw M6x14	2
12	Bottom Rail Profile Cap	1 SET	28	Screw M3.5x10	4
13	Upright Seal	2	29	Screw ST4x45	8
14	Fixed Panel Seal	1	30	Screw ST4x20	1
15	Closing Profile Seal	1	31	Fixed Panel	1
16	Cover Profile Clip	5	32	Moving Panel	1

FIXING KIT COMPONENTS, SITE CONDITIONS

FIXING KIT



IMPORTANT - Missing Components

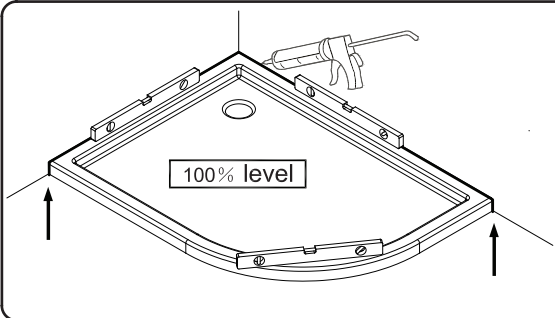
Please check this product for missing components prior to installation.

For spare parts visit www.aprilproducts.co.uk

IMPORTANT - Installation site

1. Ensure the top surface of the shower tray on which the enclosure will be installed is level in every direction.
2. The tiles or other wall finishing should be effectively sealed at tray edges.
3. Tiles should extend at least to the corner of the tray and a minimum of 1.9 meters from the top of the tray.

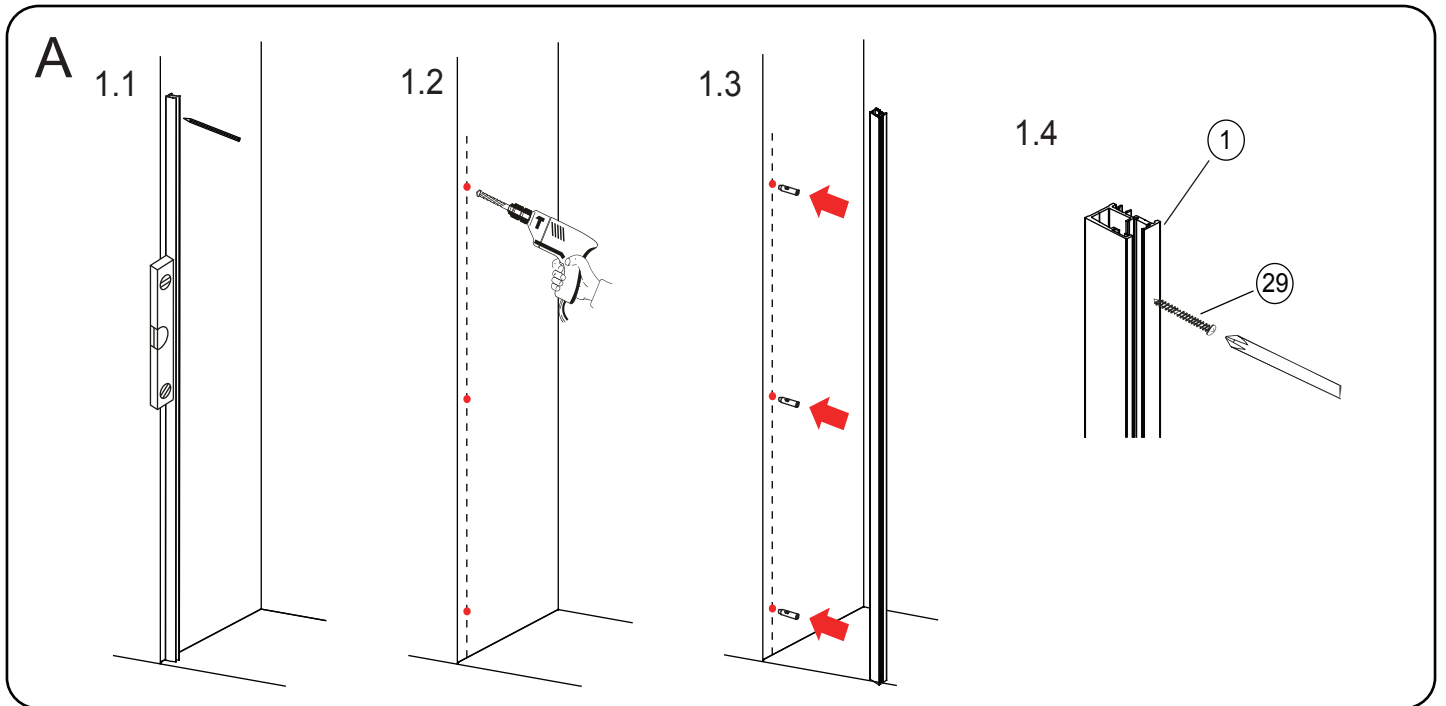
PROCEDURE



TRAY MUST BE 100% LEVEL IN ALL DIRECTIONS

Ensure the shower tray is level in all directions and is properly sealed to the wall. The wall must be tiled down to the top edge of the tray. **Do not angle out bottom tile.**

TRAY MUST BE SEALED FULLY AROUND WHERE THE TRAY MEETS THE WALL.

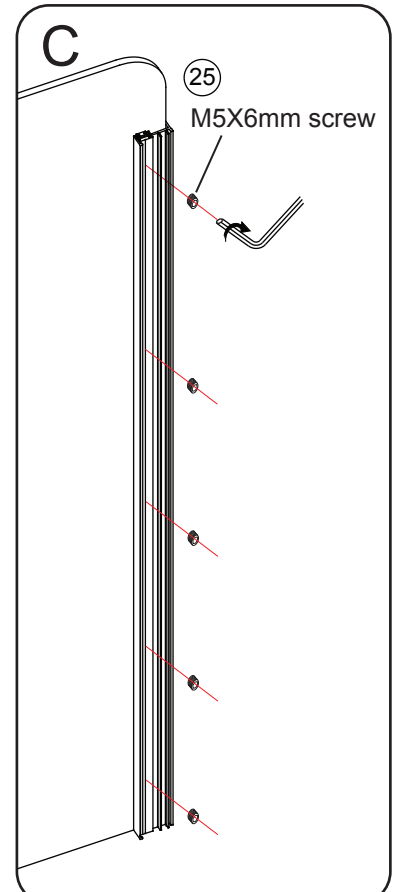
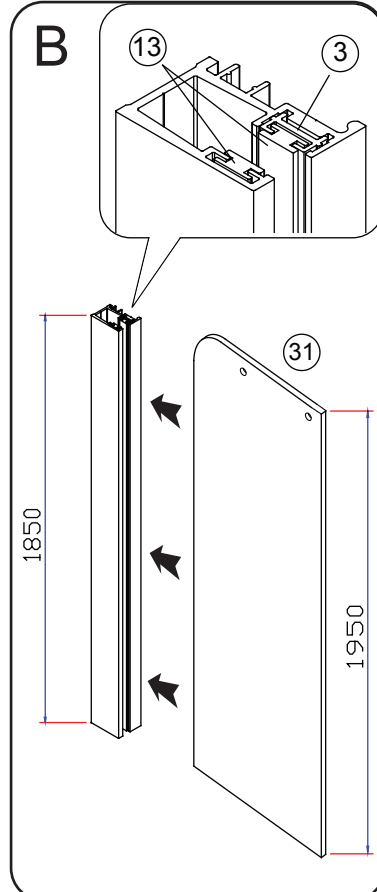
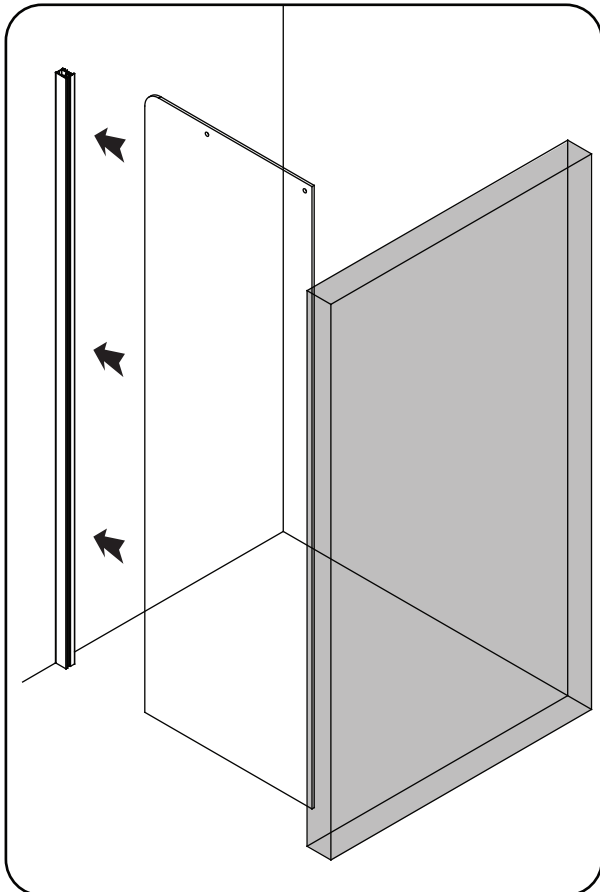


Step.1 Fix the wall profile to the wall. (A)

Step 1.1 Level the frame using a spirit level. Once you are happy that the frame sits on the tray correctly mark the wall through the 3 pre-drilled screw holes in the wall profiles (no.1).
NOTE: You may find it easier to mark and drill the wall if you apply masking tape to it first.

Step 1.2 Remove the wall profiles and drill the marked points using a 8mm masonry drill bit, once this is done insert 3 × wall plugs (no.24).

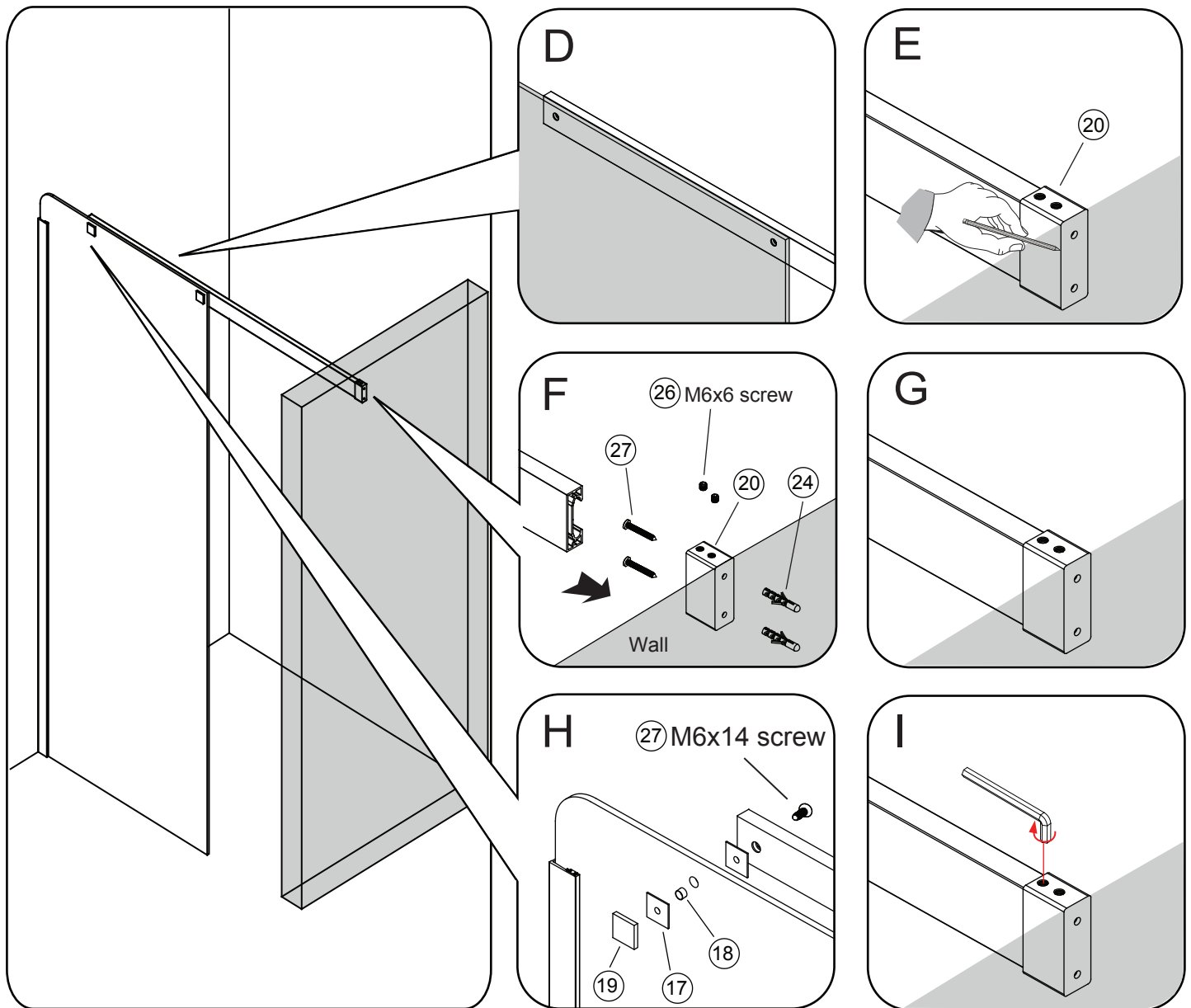
Step 1.3 Fix the wall profile (no.1) to wall using the screws ST4x45 (no.29).



Step.2 Secure the fixed panel (no.31) to the wall profile (no.1).

Step 2.1 Push the fixed panel into the wall profile as shown above (B).

Step 2.2 Secure the fixed panel to the wall profile using 5pcs M5x6 (no.25) (C).



Step 3 Secure the top rail profile (no.4).

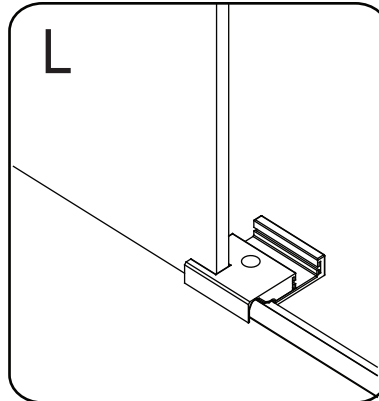
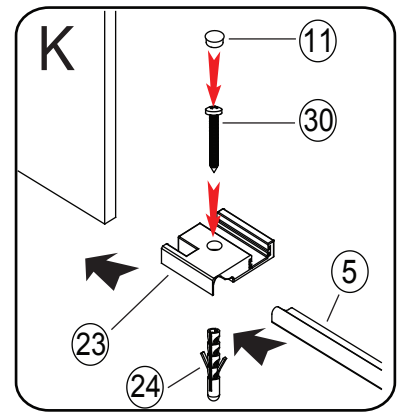
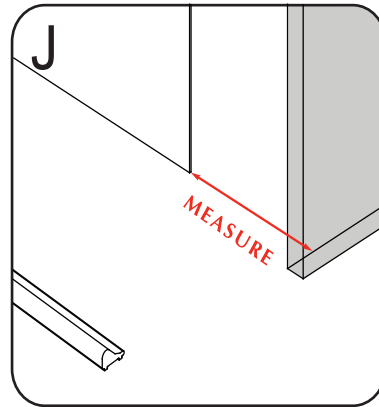
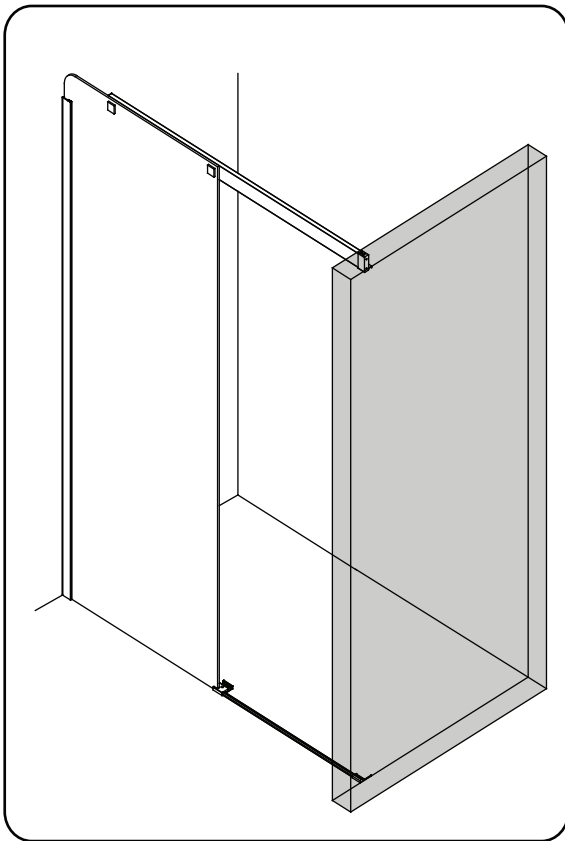
Step 3.1 Push the top rail wall fixing (no.20) onto the correct end of the top rail profile (no.4) then hold against the fixed panel (no.31) so that the holes in the top rail profile (no.4) line up with the holes in the fixed panel (no.31)(D). Next mark on the wall the position of the top rail wall fixing (no.20) so that you have the correct position to fix it in the next step(E).

Step 3.2 Remove the top rail wall fixing (no.20) from the top rail profile (no.4) and secure it onto the wall using ST4x45 screws (no.29) (F).

Step 3.3 Put the top rail profile (no.4) into the top rail wall fixing (no.20) but do not tighten the screws (G).

Step 3.4 Put the round washers (no.18) into the holes in the fixed panel (no.31). Secure the top rail profile (no.4) onto the fixed panel (no.31) making sure the gasket (no.17) goes between the glass and the aluminium profile, using the fixed clamps (no.19) and the M6x14 screws (no.27) (H).

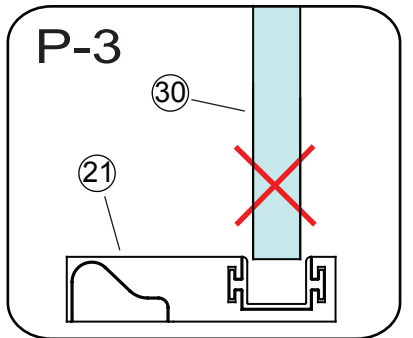
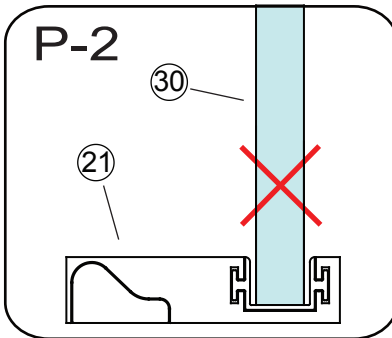
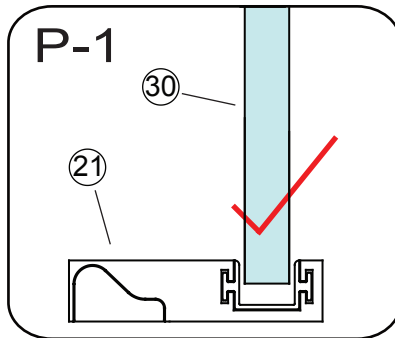
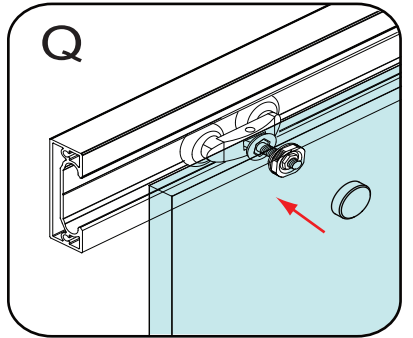
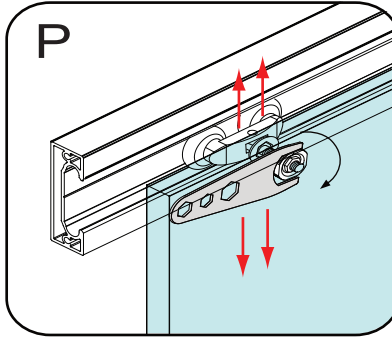
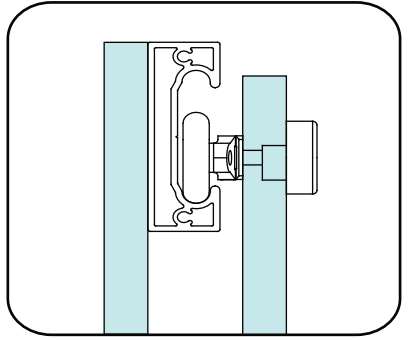
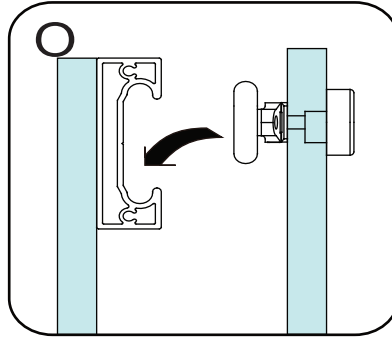
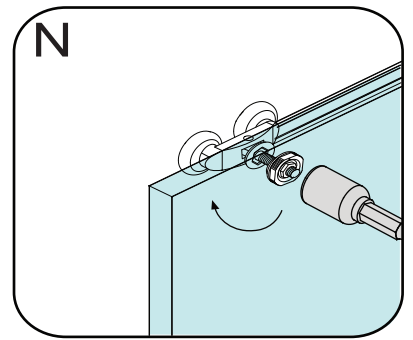
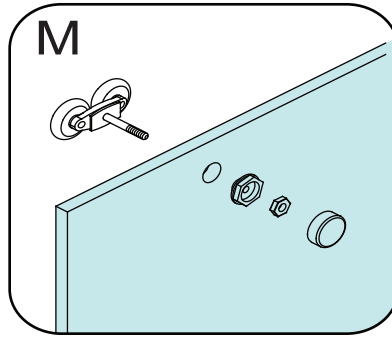
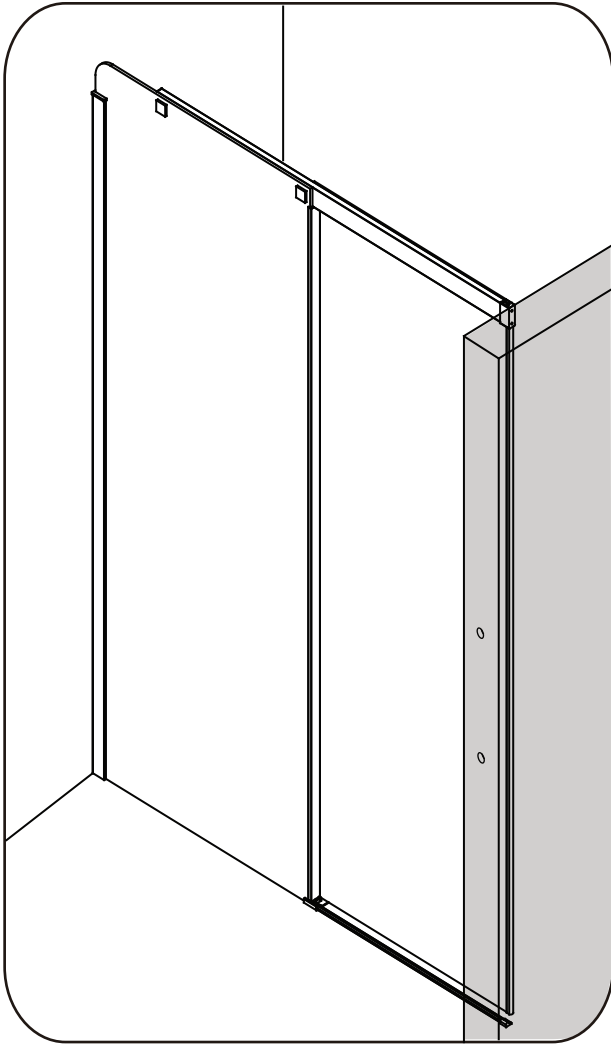
Step 3.5 Now tighten up the screws in the top rail wall fixing (no.20)(I).



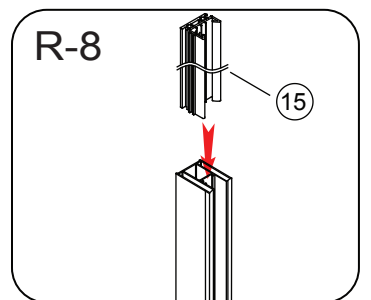
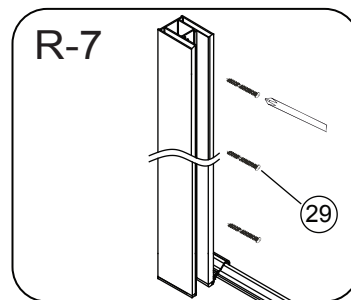
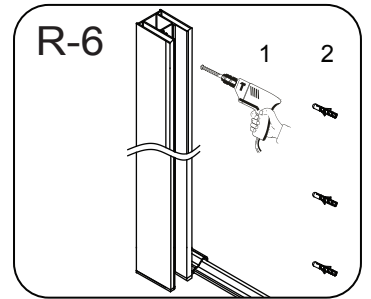
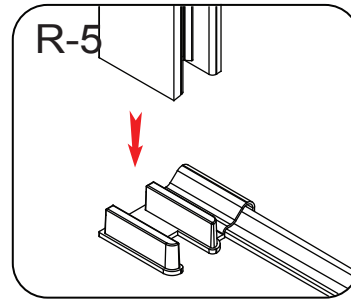
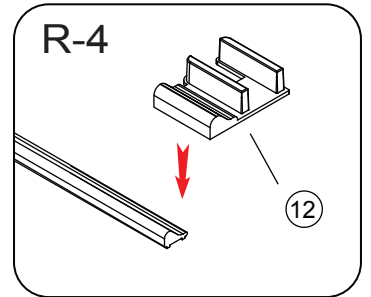
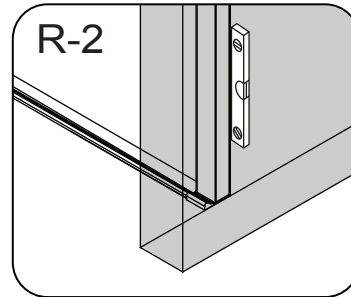
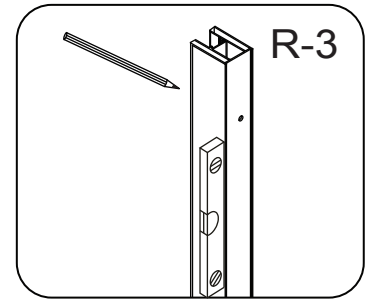
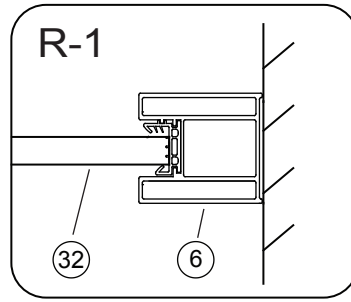
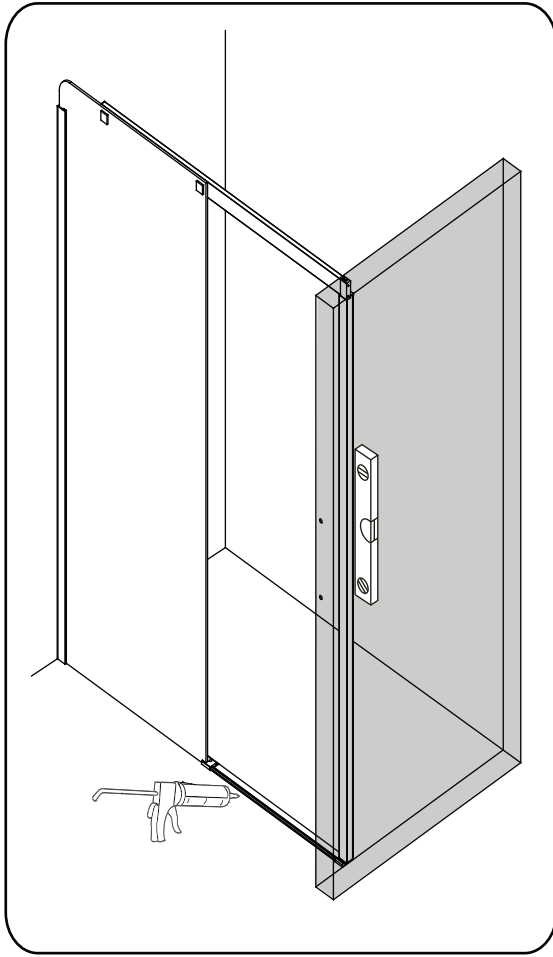
Step 4 Securing the bottom fixing A.

Before you start please note that all the bottom fixings require a small amount of sealant applying to the underside, to ensure they stay secure. The bottom rail profile (no.5) is supplied in a 1metre length and can be cut down to size if required (J).

- Step 4.1 Place the correct handed bottom fixing (no.21) on the bottom of the fixed panel (no.29) and mark through the hole. Drill the screw hole onto the floor or tray using an M8 masonry drill. Insert a wall plug (no.22) into the hole then secure to the floor using ST4x20 screws (no.28). Cover the screw head with the bottom fixing screw cap (no.9) (K).
- Step 4.2 Place the bottom rail profile (no.5) into the bottom fixing (no.21) (L).



- Step 5 Secure the rollers.
- Step 5.1 Place the rollers (no.19) onto the fixing hole in the moving panel (no.30) (M)
- Step 5.2 Screw up the rollers (no.19) using a hex wrench.Be careful not to over tighten. (N)
- Step 5.3 Hang the moving panel (no.30) onto the top rail profile (no.4) (O).
- Step 5.4 The rollers can be adjusted as per diagram (P).
- Step 5.5 Ensure the moving panel (no.30) is located into the groove in the bottom fixing (no.21). The moving panel (no.30) should not touch the bottom of the bottom fixing (no.21) or be outside the groove.(P-1)(P-2)(P-3) .
- Step 5.6 Push the screw cover onto the runner(Q) .



Step 6 Secure the closing profile.

Step 6.1 Push the closing profile on the front edge of the door panel and close against the wall. Hold profile and mark line down outside of profile on wall from top to bottom.(R-1)(R-2) (R-3)

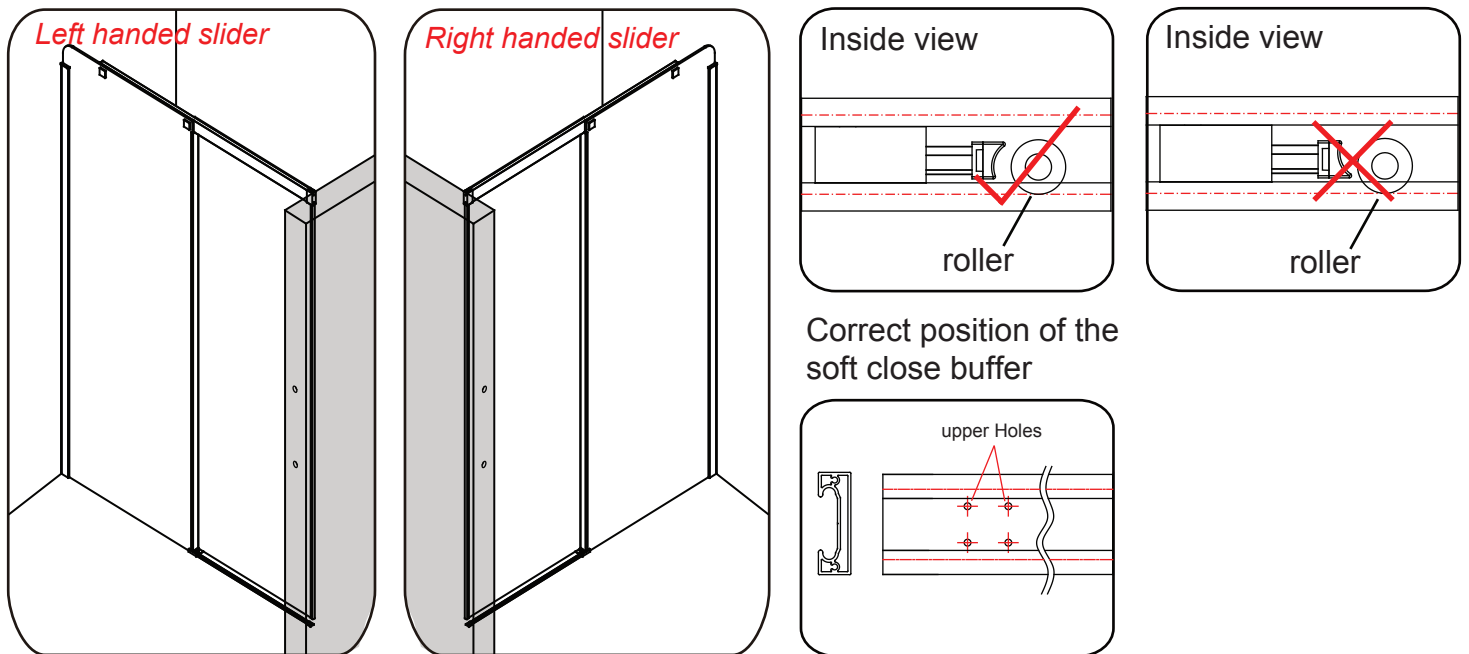
Step 6.2 Place bottom rail profile cap(no.12) on the bottom of the closing profile and mark position for fixing the closing profile to the wall.(R-4)(R-5)

Step 6.3 Drill hole with 8mm masonry drill bit and insert wall plug.(R-6)

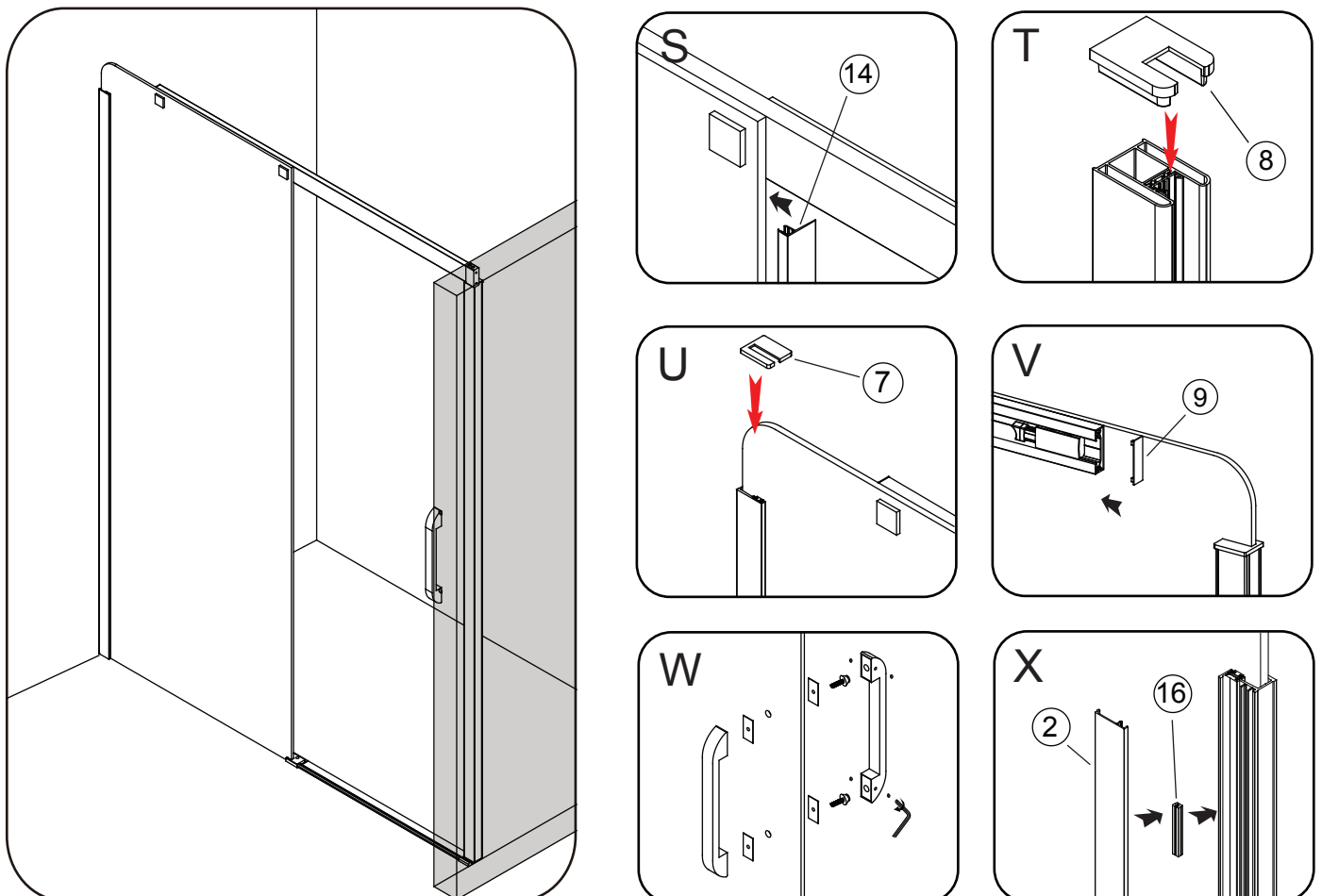
Step 6.4 Secure the closing profile using 3pcs ST4x30(no.29).(R-7)

Step 6.5 Place the closing profile seal (no.15) into the closing profile (no.6) .(R-8)

Note: Mark and drill through the center of the hole in the closing profile to allow for further possible adjustment.Ensure door closes into center of the closing profile.If not, loosen where fixed to wall and and adjust in or out.



Step.7 Fix the soft closing buffer (no.8) onto the rail as shown above (one for opening and one for closing). There are 4 fixing screw holes in each soft close buffer location inside the rail, make sure to use the upper holes. Also ensure that the soft grey head has been placed in the correct position (please refer to the above diagrams).



Step 8 Push the fixed panel seal (no.14) onto the fixed panel (no.31) (S).

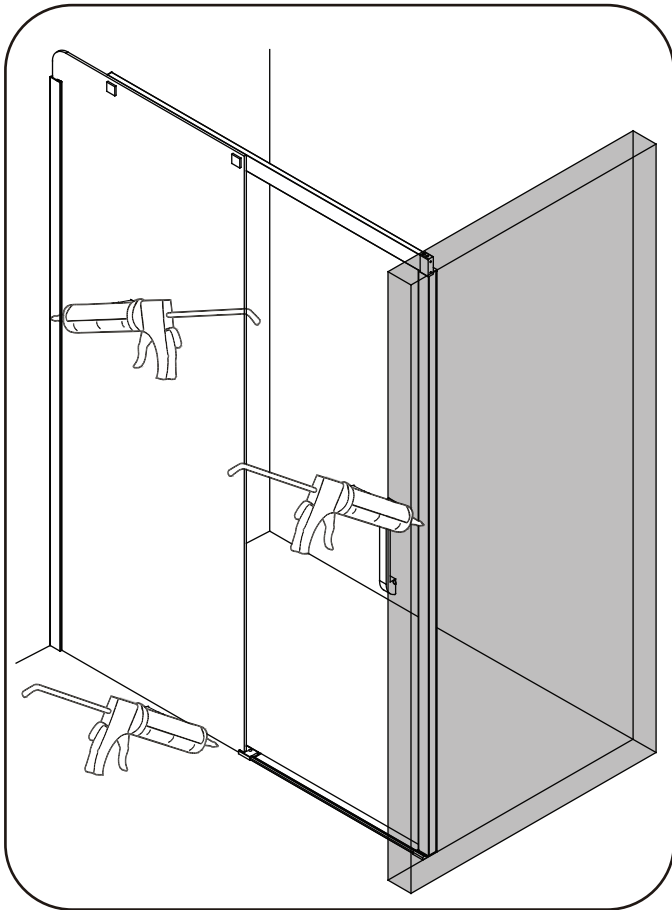
Step 9.1 Fix the wall profile cap B. (no.8) (T).

Step 9.2 Fix the wall profile cap A. (no.7) (U).

Step 10 Fix the end cap (no.9) to the top rail profile.(no.4) (V).

Step 11 Fix the handle (no.22) to the moving panel (no.30) ensuring the washers are between the handles and the glass (W).

Step 12 Push the cover profile (no.2) onto the wall profile (no.1) using the cover profile clips (no.16) (X).



DO NOT USE THE ENCLOSURE FOR 24 HOURS AFTER SEALING

Applying Silicone Sealant

Sealing Inside

Seal from the top of the wall profile to the bottom on the **INSIDE** between the wall profile and the wall.

IMPORTANT: Do not apply sealant on inside of the tray.

Sealing Outside

Seal from the top of the wall profile to the bottom between the wall profile and tiles on both sides. Also seal along the bottom where the frame meets the tray. Seal the joints between the bottom profile and any upright profiles.

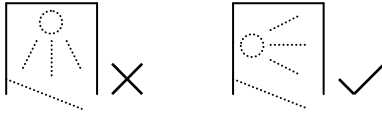
AFTERCARE

Cleaning Instructions

It is important to clean your April shower enclosure after every use. Please wipe down all glass and metal parts with a clean soft cloth. Ensure that all residual water on the glass is removed after every use.

Usage

For reliable, watertight performance from your April enclosure your shower head should not be positioned so that the shower sprays directly onto the enclosure door. Failure to comply with this may cause the shower to leak. Outward opening doors may cause water to drip onto the floor, please ensure that the floor covering immediately outside the enclosure will not be affected by water.



Clean & Clear™
Easy Clean Glass Treatment

This product has been treated with Clean & Clear™ easy clean glass treatment, a protective barrier which creates a 'non-stick' surface on your glass, helping to resist lime scale build up and water spots. For further information on Clean & Clear™ please visit www.aprilproducts.co.uk

Aftercare

Clean & Clear™ glass can be cleaned with any suitable nonabrasive glass cleaner - with PH value of between 3-11; the coating will not be damaged. Avoid surfactants and heavily perfumed products. Vinegar and water based products are very effective. Do not use abrasive scrubbing cleaners or equipment for cleaning.

Warranty

Limited 5 year Warranty for Clean & Clear™ treatment: To guarantee treated surfaces will remain more repellent than untreated glass for 5 years from start of use, as long as basic manufacturer maintenance recommendations are followed and no harsh or abrasive cleaners are used.