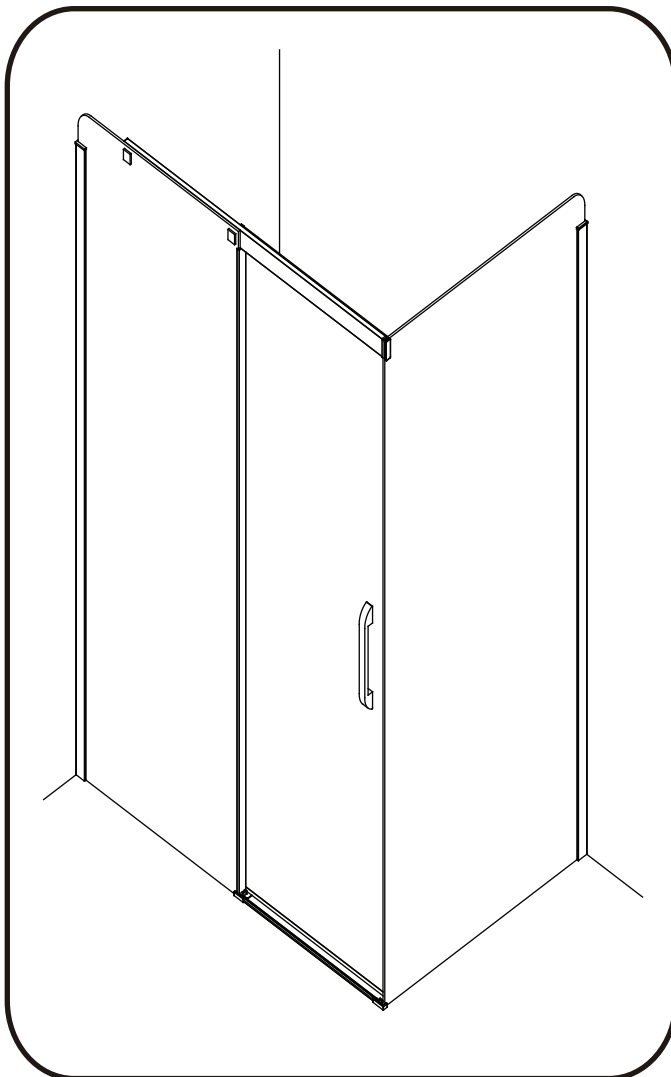


INSTALLATION INSTRUCTIONS

www.aprilproducts.co.uk



Lifetime Product Guarantee

ATTENTION!

Are you fitting this April enclosure to an April shower tray?

The Lifetime Product Guarantee is only valid when an April enclosure is fitted with an April shower tray and are used and maintained in accordance with the manufacturer's instructions (guarantee excludes seals and magnets). When April enclosures are used with any other shower tray the guarantee period is limited to 10 years.

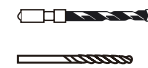
Please see our website for full Terms & Conditions.

To activate your Product Guarantee please visit www.aprilproducts.co.uk and complete the online form.

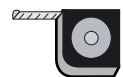
Tools Required



Drill



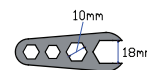
8mm Masonry Drill
2.75mm HSS Drill



Tape Measure



Spirit level



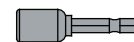
hex wrench



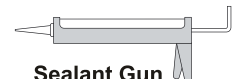
PH2 TYPE
Screwdriver



Pencil



hex wrench



Sealant Gun

Please note hand tools **NOT** supplied.

IMPORTANT

The screen can be constructed either way up, for left or right hand opening.

These instructions assume that installation is done against solid/tiled walls.

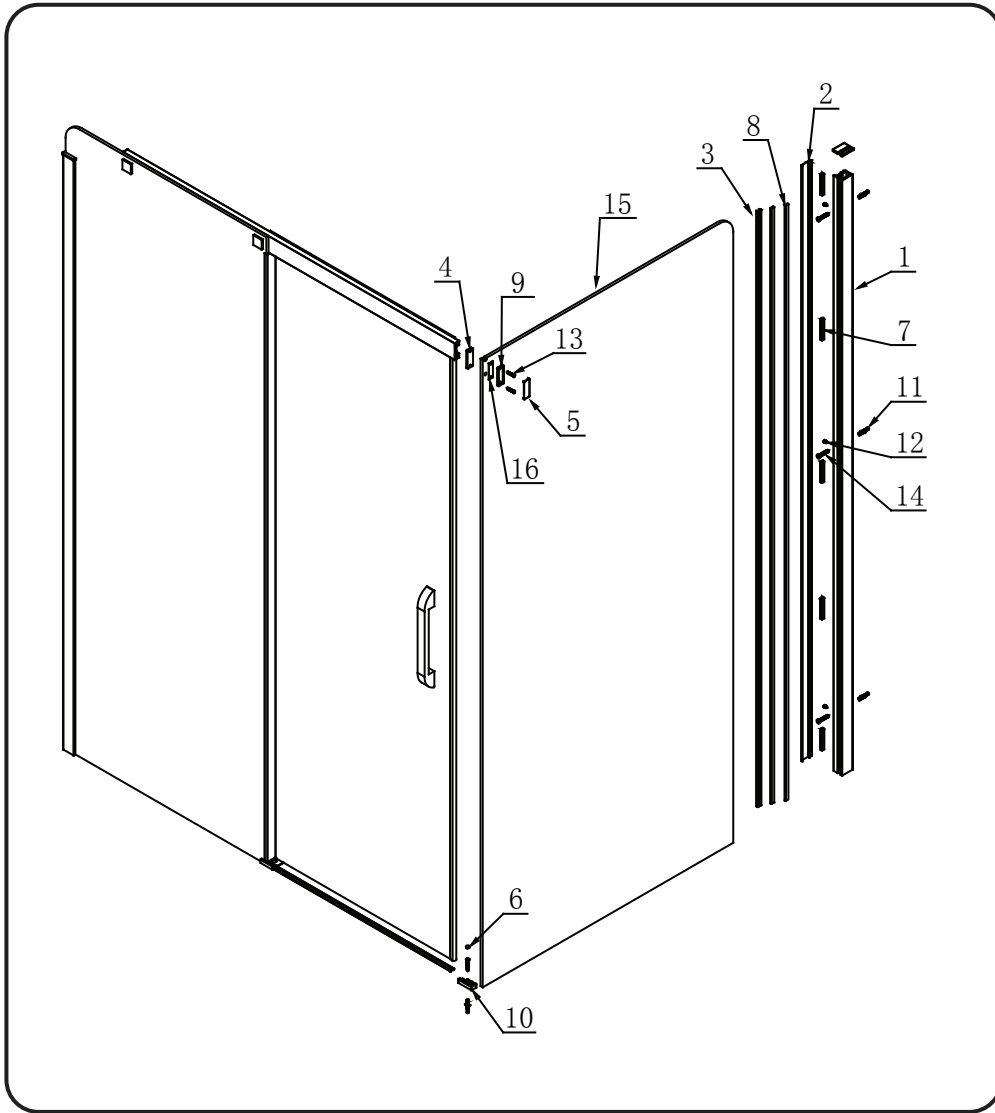
The wall plugs supplied with the installation kit are for use on solid walls. Hollow or stud partition walls will require alternative fixings. Please consult with a reputable trades person or hardware supplier for the correct type of fixing.

It may also be necessary to consult your tiling supplier about the correct method for drilling your tiles.

Please check this product for damage prior to starting the installation. No claims can be made after the product has been fitted. This is a 2 person installation. Please note the minimum and maximum adjustment for this product are based on perfectly plumb walls.

USE SAFETY EYE-WEAR WHEN DRILLING

COMPONENTS AND BOX CONTENTS

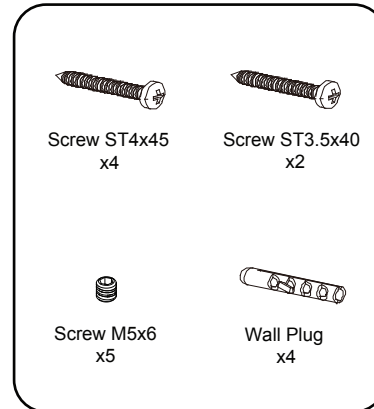
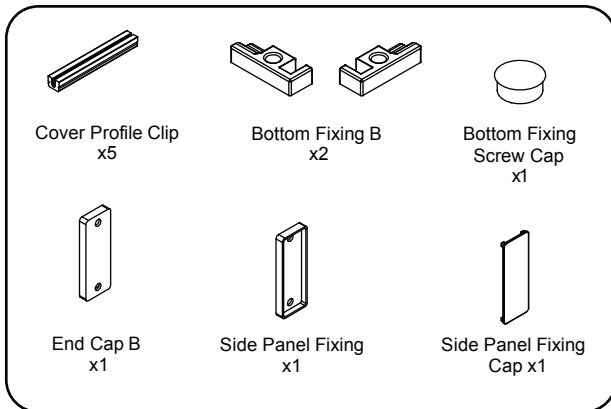


Box Contents

NO.	Description	Qty	NO.	Description	Qty
1	Wall Profile	1	9	Side Panel Fixing	1
2	Cover Profile	1	10	Bottom Fixing B	1SET
3	Upright Profile	1	11	Wall Plug	4
4	End Cap B	1	12	Screw M5x6	5
5	Side Panel Fixing Cap	1	13	Screw ST3.5x40	2
6	Bottom Fixing Cover Cap	1	14	Screw ST4x45	4
7	Cover Profile Clip	5	15	Side Panel	1
8	Upright Seal	2	16	Gasket	1

FIXING KIT COMPONENTS, SITE CONDITIONS

FIXING KIT



IMPORTANT - Missing Components

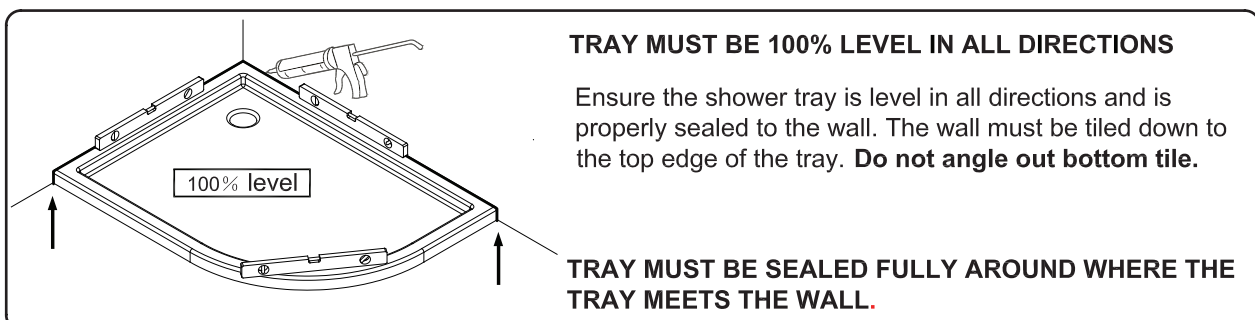
Please check this product for missing components prior to installation.

For spare parts visit www.aprilproducts.co.uk

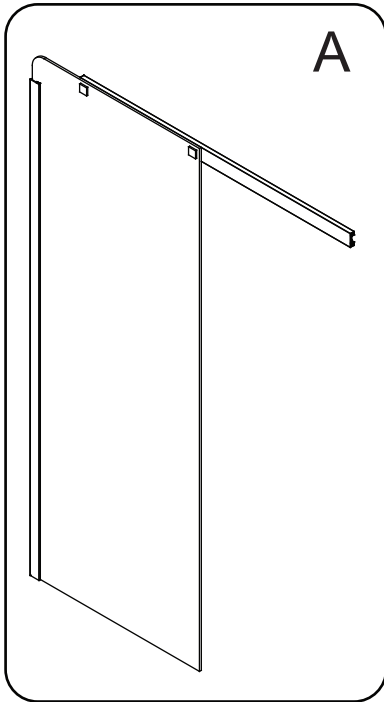
IMPORTANT - Installation site

1. Ensure the top surface of the shower tray on which the enclosure will be installed is level in every direction.
2. The tiles or other wall finishing should be effectively sealed at tray edges.
3. Tiles should extend at least to the corner of the tray and a minimum of 1.9 meters from the top of the tray.

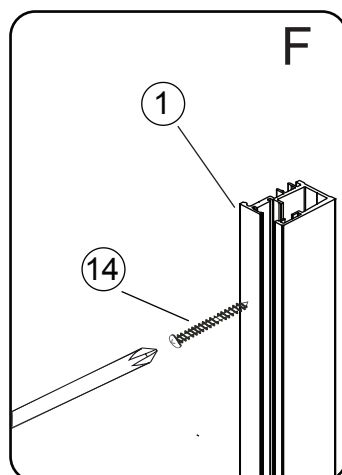
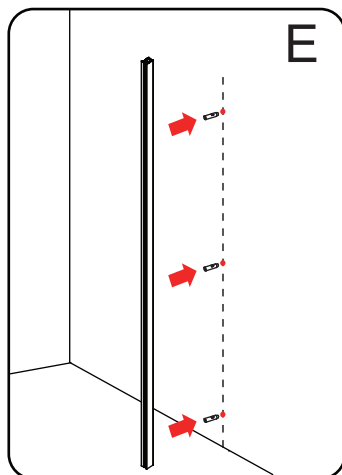
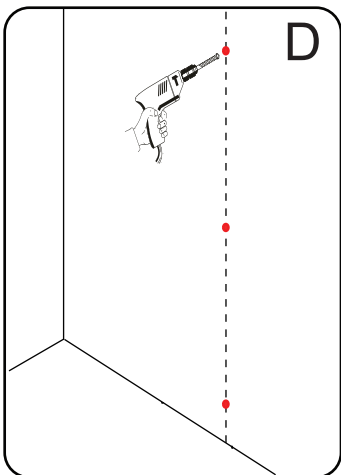
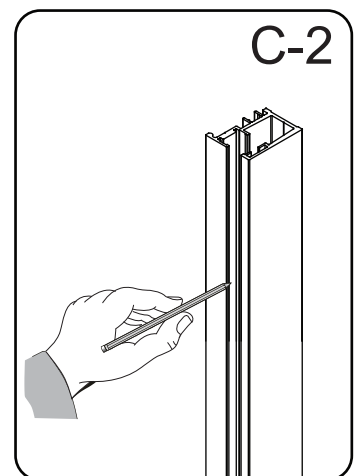
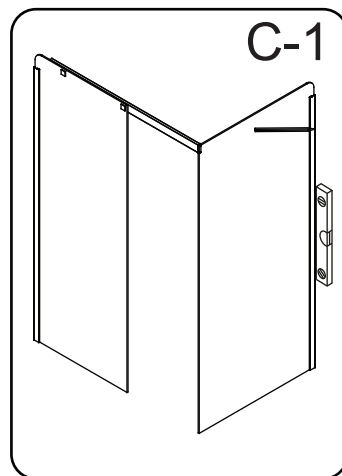
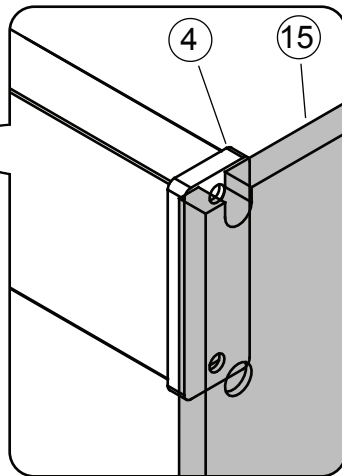
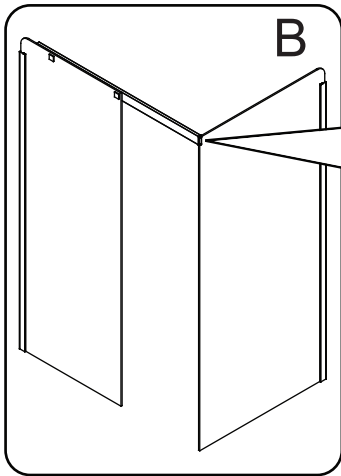
PROCEDURE

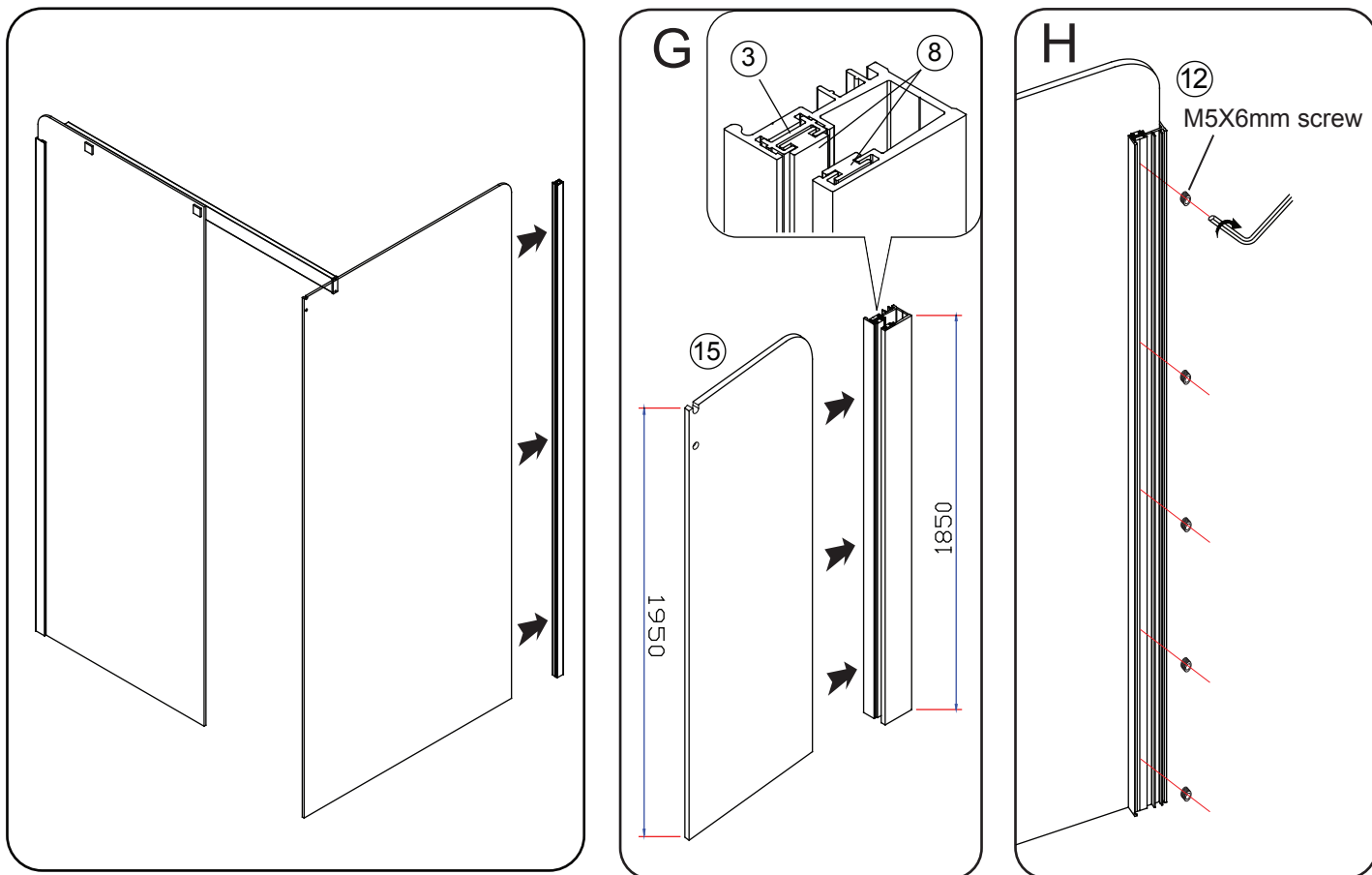


Note: Before you start to install the side panel please follow the step 1, step 2 and step 3.4 in Recess instruction to get the door fixed panel(no.29) and top rail profile(no.4) ready(A).



- Step 1** Fix the wall profile to the wall.
- Step 1.1** Put the end cap (no.4) onto the end of the top rail profile. Next push the wall profile (no.1) onto the side panel glass (no.15), then position on the wall and line up the holes in the glass so that they line up with the holes in the end cap (no.4) as per diagram B. Level the wall profile using a spirit level and mark on the wall the position of the wall profile (Diagram C-1) so that you have the correct position to secure it in the next steps.
- Step 1.2** Remove the side panel, then put the wall profile (no.1) onto the wall in the position you have just marked. Then mark through the 3 pre-drilled holes in the wall profile onto the wall as per (diagram C-2).
- Step 1.3** Remove the wall profile and drill into the wall through the marked points using an 8mm masonry drill bit as per (diagram D), then insert the wall plugs.
- Step 1.4** Secure the wall profile to the wall using screws ST4x45 (no.14) as per (diagram F).

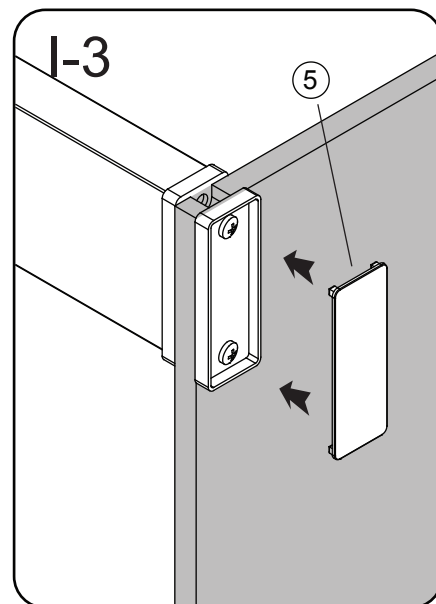
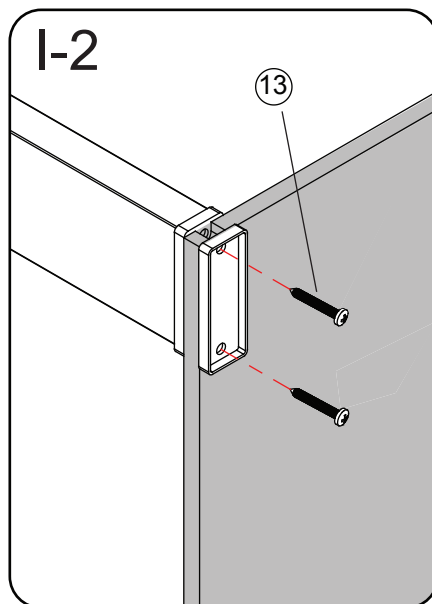
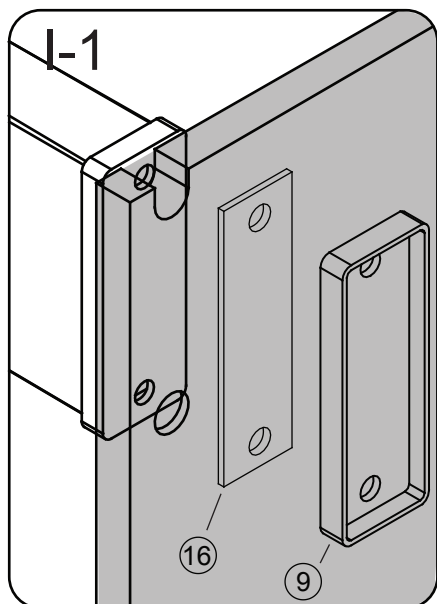




Step.2 Secure the side panel (no.15) to the wall profile (no.1).

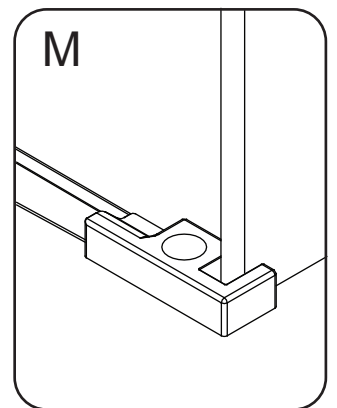
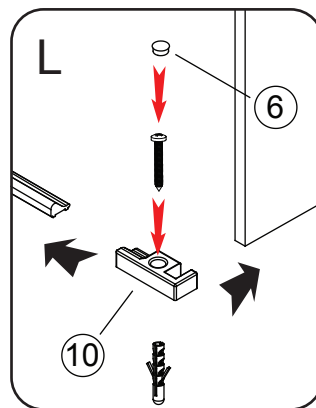
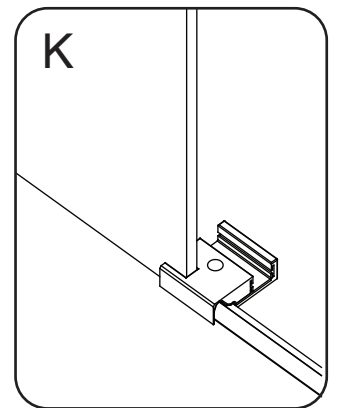
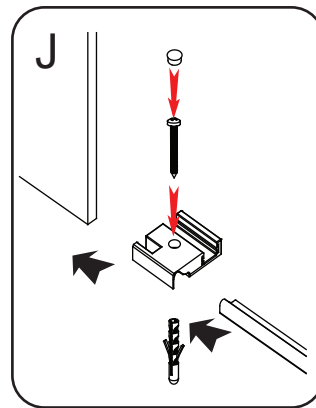
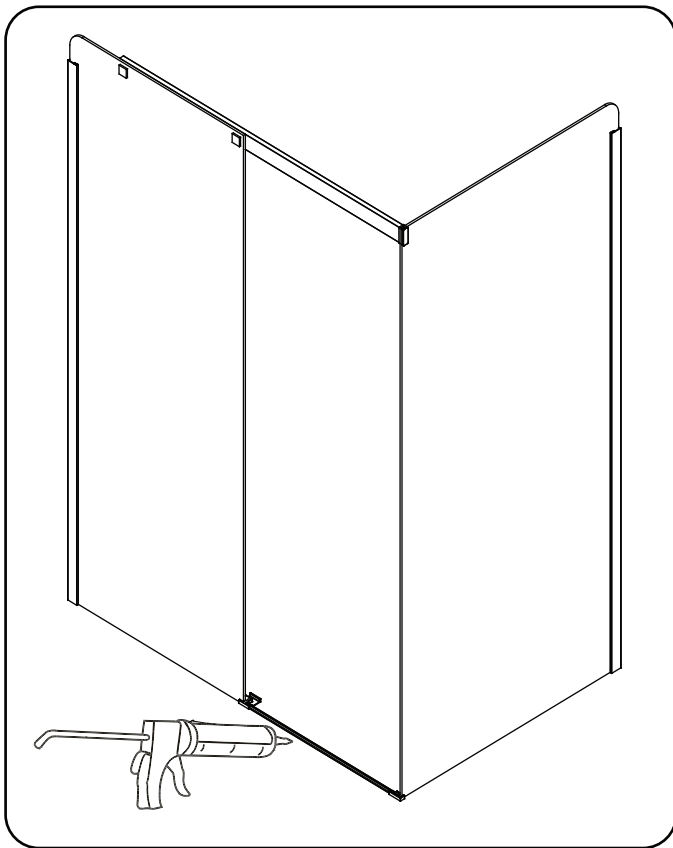
Step 2.1 Push the fixed panel into the wall profile as shown above (G).

Step 2.2 Secure the fixed panel to the wall profile using 5pcs M5x6 (no.12) (H).



Step.3 Secure the side panel fixing.

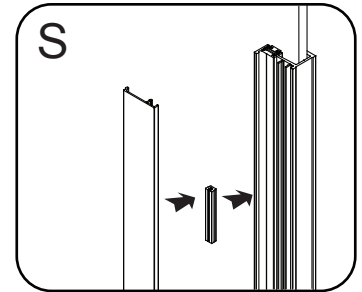
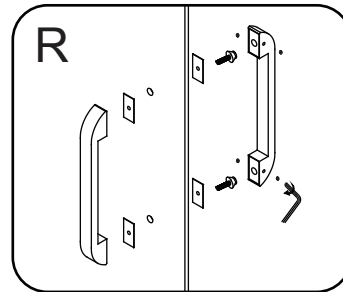
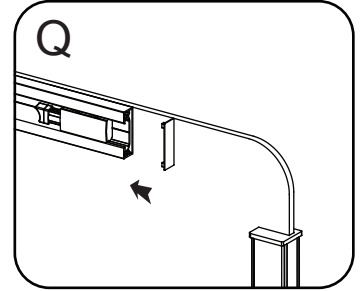
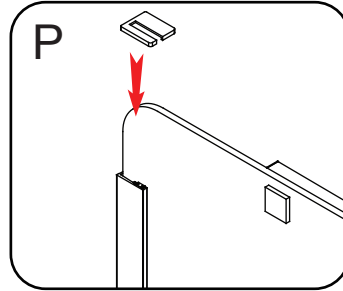
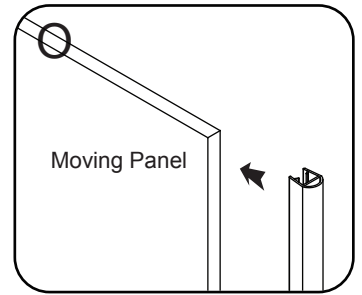
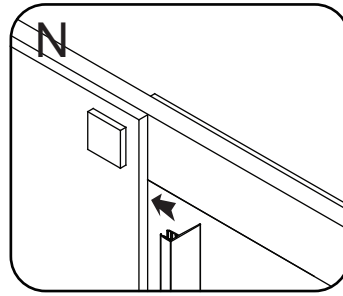
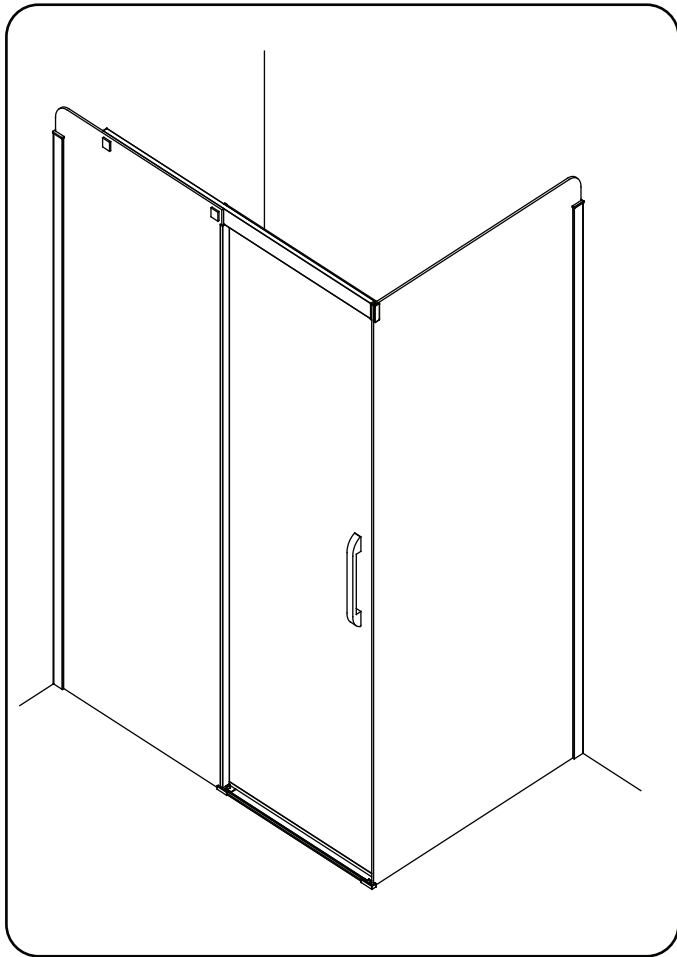
Put a gasket(no.16) together with the metal fixing(no.9) then put them onto the side panel using 2xST3.5x40mm screws to secure then push the side panel fixing cap(no.9) to the metal fixing(no.9)(I).



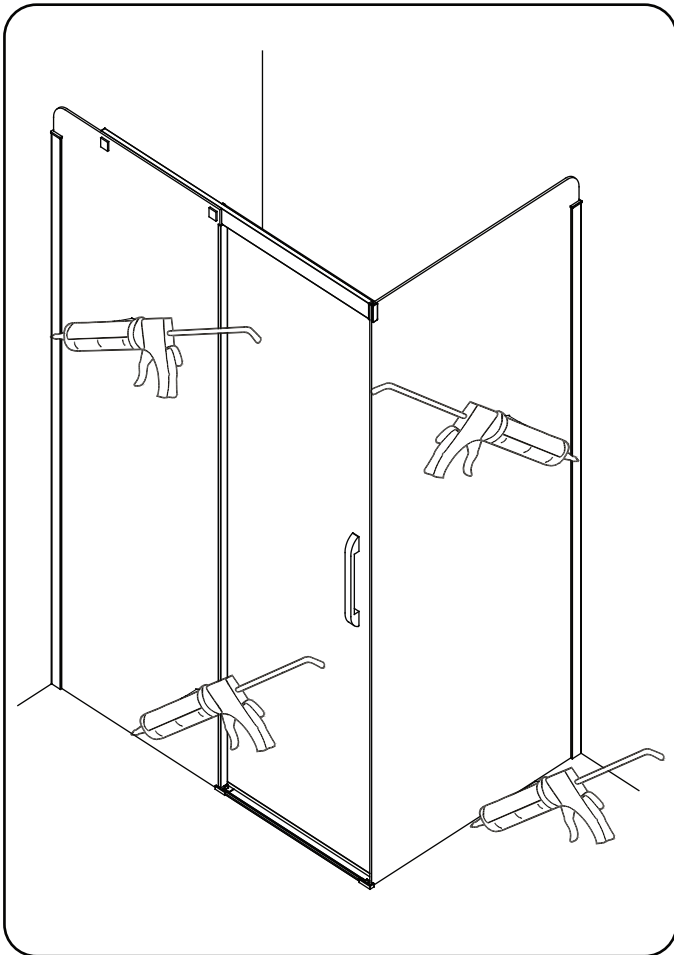
Step 4 Securing the bottom rail.

Before you start please note that all the bottom fixings require a small amount of sealant applying to the underside, to ensure they stay secure. The bottom rail profile is supplied in a 1metre length and can be cut down to size if required .

- Step 4.1** Place the correct handed bottom fixing on the bottom of the fixed panel and mark through the hole. Drill the screw hole onto the floor or tray using an M8 masonry drill. Insert a wall plug into the hole then secure to the floor using ST4x20 screws. Cover the screw head with the bottom fixing screw cap (J).
- Step 4.2** Place the bottom rail profile into the bottom fixing (K).
- Step 4.3** Push the correct handed bottom fixing B(no.10) onto the end of the bottom rail then secure to the glass edge. Level the bottom rail then mark through the hole. Drill the hole onto the floor or tray using 8mm masonry drill, insert a wall plug into the hole then secure it using a ST4x20 screw. Cover the screw head with the bottom fixing screw cap(no.6) (L) (M).



- Step.5 Push the fixed panel seal onto the fixed panel (N).
- Step.5.1 Push the moving panel seal onto the moving panel (O).
- Step.6 Fix the wall profile caps (P).
- Step 7 Fix the end cap to the soft closing buffer(Q).
- Step 8 Fix the handle to the moving panel ensuring the washers are between the handles and the glass (R).
- Step 9 Push the cover profile onto the wall profile using the cover profile clips (S).



24 HRS



**DO NOT USE THE
ENCLOSURE FOR
24 HOURS AFTER
SEALING**

Applying Silicone Sealant

Sealing Inside

Seal from the top of the wall profile to the bottom on the **INSIDE** between the wall profile and the wall.

IMPORTANT: Do not apply sealant on inside of the tray.

Sealing Outside

Seal from the top of the wall profile to the bottom between the wall profile and tiles on both sides. Also seal along the bottom where the frame meets the tray. Seal the joints between the bottom profile and any upright profiles.

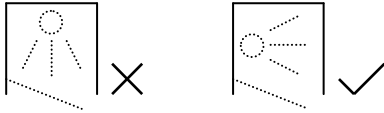
AFTERCARE

Cleaning Instructions

It is important to clean your April shower enclosure after every use. Please wipe down all glass and metal parts with a clean soft cloth. Ensure that all residual water on the glass is removed after every use.

Usage

For reliable, watertight performance from your April enclosure your shower head should not be positioned so that the shower sprays directly onto the enclosure door. Failure to comply with this may cause the shower to leak. Outward opening doors may cause water to drip onto the floor, please ensure that the floor covering immediately outside the enclosure will not be affected by water.



Clean & Clear™
Easy Clean Glass Treatment

This product has been treated with Clean & Clear™ easy clean glass treatment, a protective barrier which creates a 'non-stick' surface on your glass, helping to resist lime scale build up and water spots. For further information on Clean & Clear™ please visit www.aprilproducts.co.uk

Aftercare

Clean & Clear™ glass can be cleaned with any suitable nonabrasive glass cleaner - with PH value of between 3-11; the coating will not be damaged. Avoid surfactants and heavily perfumed products. Vinegar and water based products are very effective. Do not use abrasive scrubbing cleaners or equipment for cleaning.

Warranty

Limited 5 year Warranty for Clean & Clear™ treatment: To guarantee treated surfaces will remain more repellent than untreated glass for 5 years from start of use, as long as basic manufacturer maintenance recommendations are followed and no harsh or abrasive cleaners are used.