

Product Specification

Minimum Pressure	1.5 bar
Maximum Pressure	3.0 bar
Cold Temperature -	4 - 20 c
Hot temperature	55 - 85 c
1/2" bsp female end flexi-connectors	
Single function rub clean hand shower	
Single function rub clean shower head	
Single function rub clean body jets	
38c Temperature stop position	
Minimum 10c difference between hot supply and mixed outlet temperature	
In-coming pressures should be balanced	



Important

When drilling check wires and pipes will not be damaged
Before installation fully flush the system to remove debris
Hot supply must be on left and cold supply on right

Cleaning

All surfaces should be cleaned using a clean damp cloth.
No abrasive cleaning agents or materials should be used.

Telephone
0844 484 7678

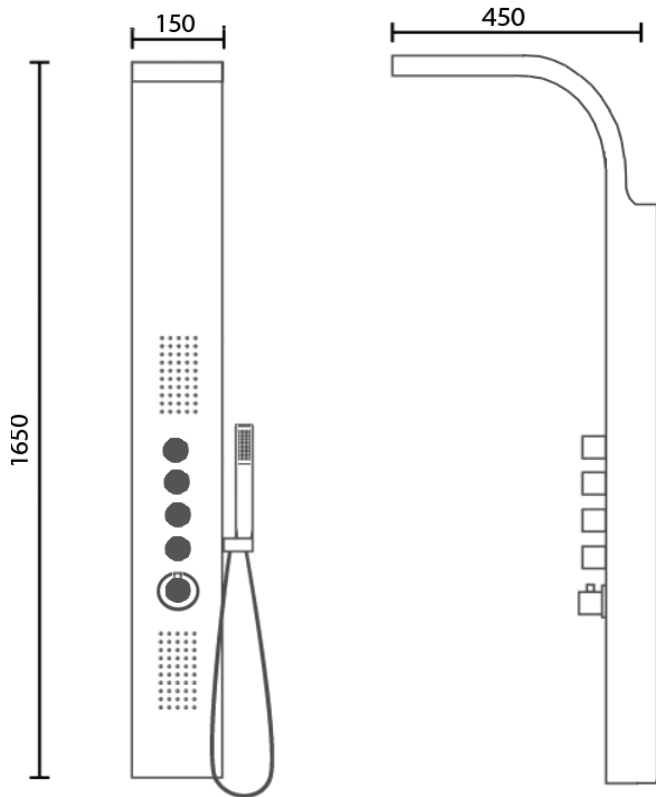
Aqua Uno & Duo Shower Panel



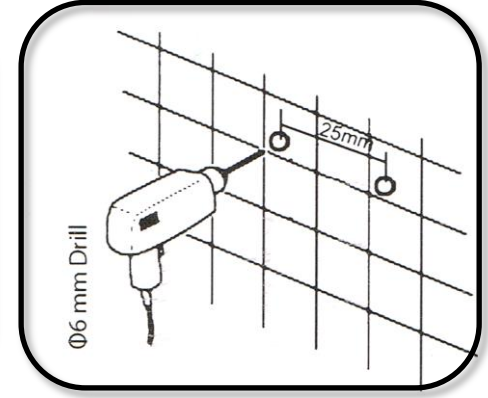
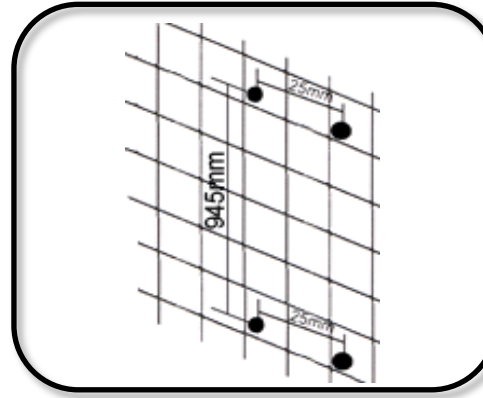
Please retain this manual after installation for future reference and maintenance.

Product must be installed in compliance with relevant Water Regulations and Byelaws

Dimensions



Installation - Step 1

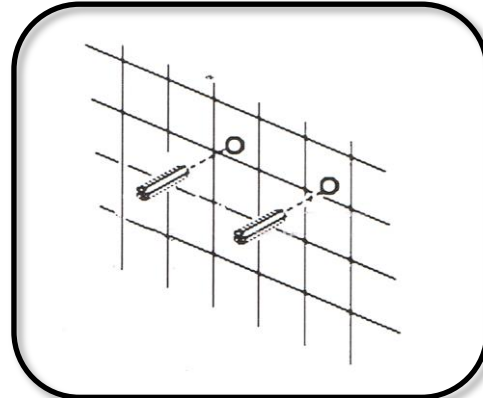


Prepare holes in the wall to secure the mounting brackets.

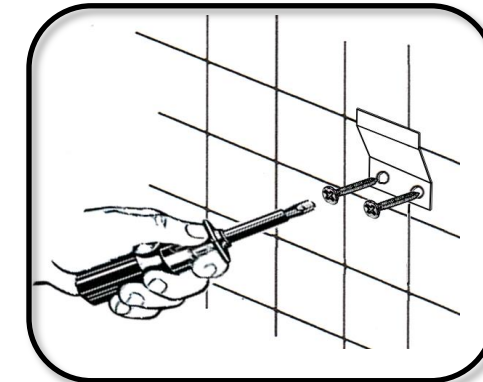
Ensure the bracket positions are vertically aligned.

The hole centres are 25mm apart in width and 945mm apart in height.

The bottom holes should be approx 180mm from the bottom of the panel.

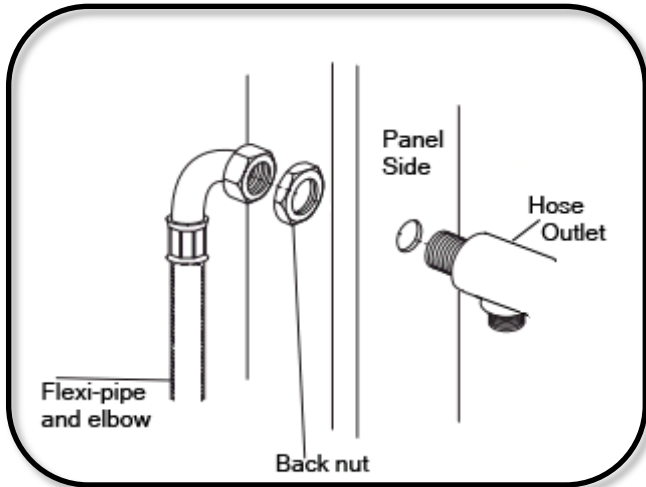
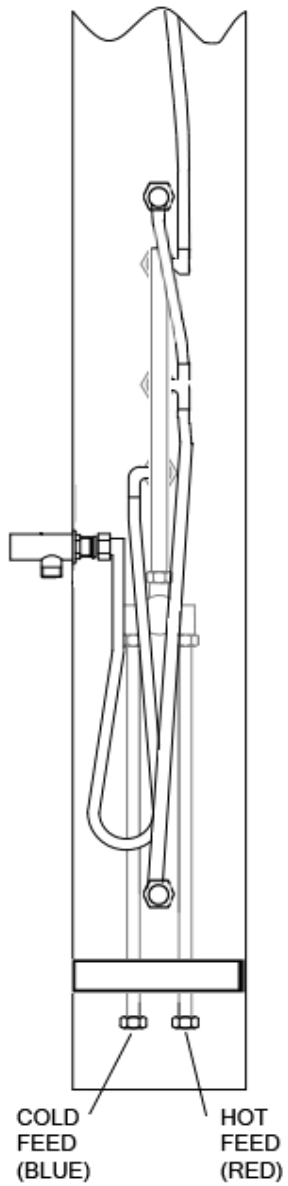


Drill the holes and insert plugs, tap in the plugs to make them flush with the finished wall.

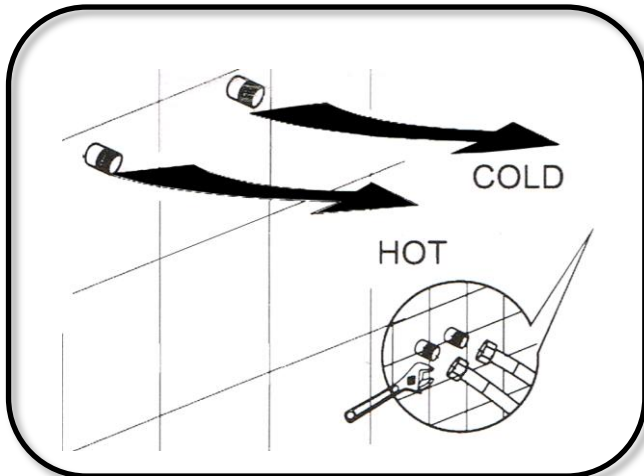


Offer the mounting plate to the wall and secure using the screws provided.

Installation - Step 2



Place outlet thread through side of panel and connect nut.
Ensure washer is fitted in elbow and connect to thread

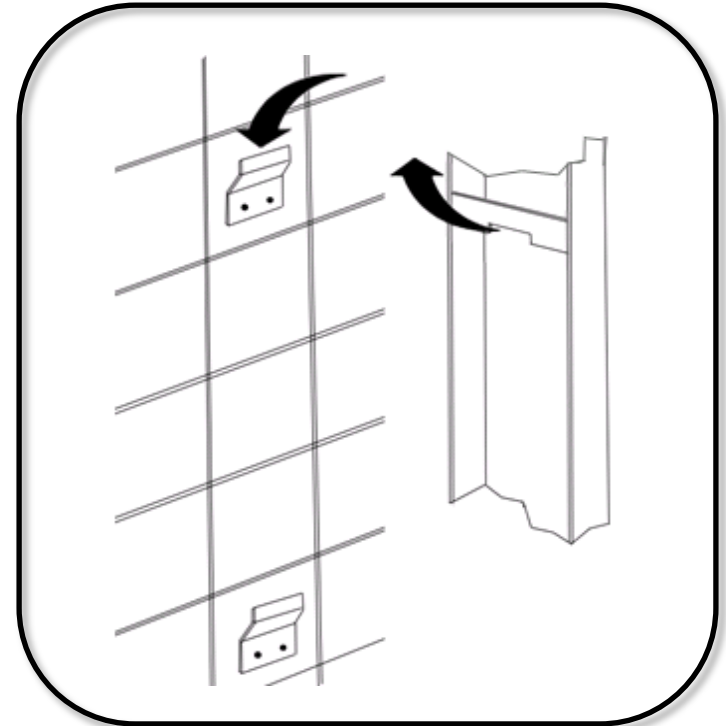


Connect red and blue flexi-tails to hot and cold supply
Tighten all connections

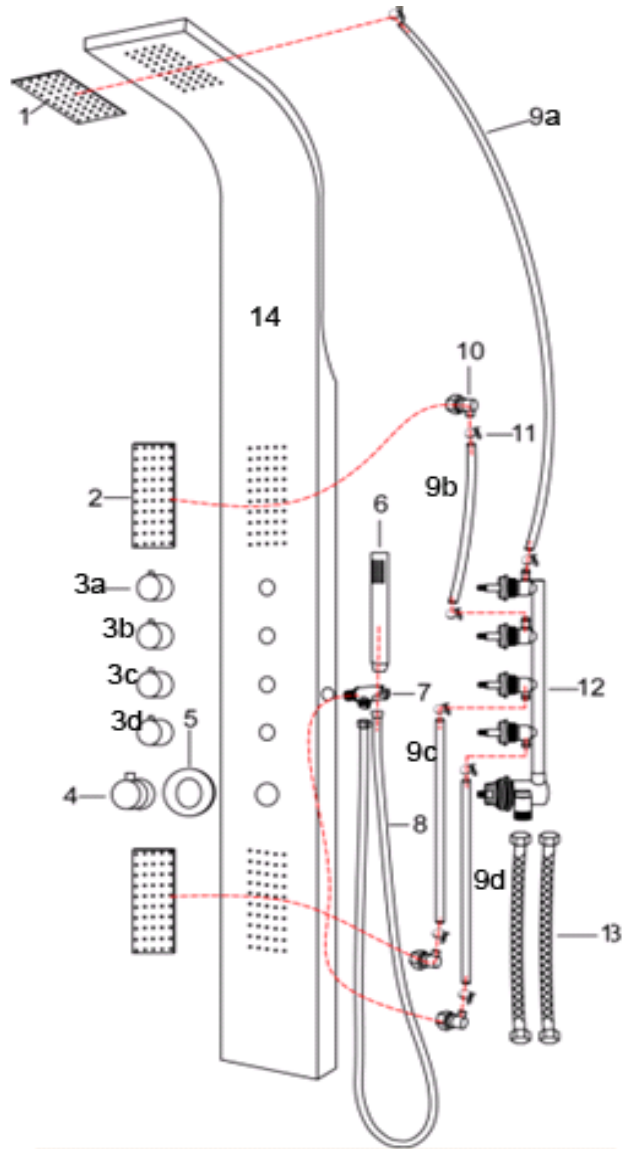
Installation - Step 3

Once all connections have been made and checked for leaks, hook the panel over the brackets secured to the wall.

Align on the wall, sealant can be used along the panel edge.



Parts



Parts

Part No.	Description	Qty
1	Shower head rubber insert	1
2	Body jet rubber insert	2
3a	Control handle - shower had	1
3b	Control handle - body jet	1
3c	Control handle - body jet	1
3d	Control handle - Hand shower	1
4	Temperature control handle	1
5	Temperature dial	1
6	Hand shower	1
7	Outlet elbow	1
8	Shower hose inc seals	1
9a	Shower head connecting pipe	1
9b	Top body jet connecting pipe	1
9c	Bottom body jet connecting pipe	1
9d	Hand shower connecting pipe	1
10	Connecting elbows	4
11	Pipe clips	8
12	Mixer assembly Inc Thermostat and flow control valves	1
13	Supply flexi-pipes	2

Guarantee

Your product comes with a 1 year guarantee when installed, used and cleaned in accordance with this manual.

Not covered by the guarantee is:

- Breakdown due to -
 - a) Use other than domestic
 - b) Wilful act of neglect
 - c) Any malfunction resulting from incorrect use
 - d) Incorrect setting of controls
 - e) Any malfunction resulting from poor water quality
- Repair costs for damage caused by foreign objects or substances
- Total loss of the product due to non-availability of parts
- Compensation for loss of use of the product or consequential loss of any kind.
- Call out charges where no fault has been found with the product.

Your product comes with a 1 year guarantee when installed, used and cleaned in accordance with this manual.

Not covered by the guarantee is:

- The cost of repair or replacement of pressure relief devices, spray heads, hoses, riser rails and/or wall bracket or any other accessories installed at the same time.
- The cost of routine maintenance, adjustments, overhaul, modifications, loss or damage, arising therefrom, including the cost of repairing damage, breakdown, malfunction caused by corrosion, furring, pipe scaling, lime scale, system debris or frost.