

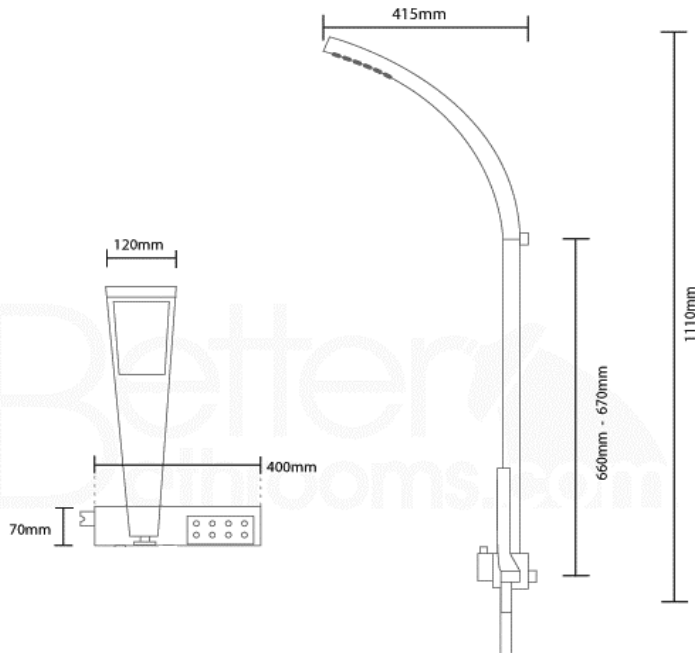
## Product Specification

~ Minimum Working Pressure	1.0 bar
~ Maximum Working Pressure	3.0 bar
~ Fixing Centres	150mm +/- 10mm
~ Outlet size	1/2" Bottom Outlet

Always maintain a minimum 10c difference between hot inlet temp and max mixed water

Hot supply must be connected to left inlet.

Pressures **MUST** be balanced, failure to have this will result in water not mixing and premature wear of the thermostat



## Celeste Luxury Shower Panel



Please retain this manual after installation for future reference and maintenance.

**Product must be installed in compliance with relevant Water Regulations and Byelaws**

Telephone  
**0844 484 7678**

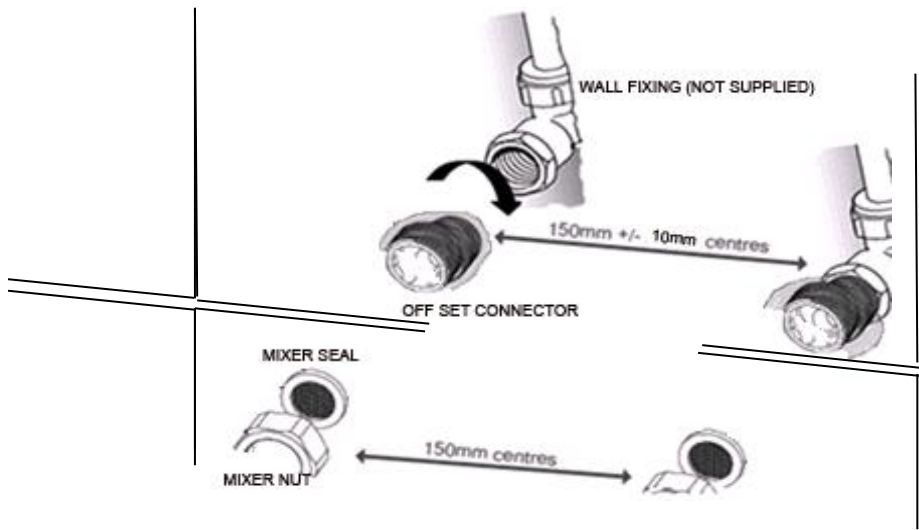
## Installation

Pipe work should be prepared and **MUST** be flushed to remove debris.

Prior to installation ensure water supply is turned OFF

Ensure hot supply is connected to inlet on the left of the mixer.

The pipes should be secured and a suitable fixing method used to support the mixer (Suggested back plate elbows, not supplied)



> Using an adequate form of seal, connect the 1/2" section of the offset connector to the pipe fitting not supplied (suggested back plate elbow), ensuring that the 3/4" section aligns with the mixer inlets.

> Fit the seals into the mixer nuts on the rear of the unit.

> Connect mixer nuts to connectors and tighten, to create a watertight seal.

## Installation

> Once the mixer section has been fitted and secured, positioning of the rail should be carried out.

> Place the grey gasket around the end of the rail.

> Push the pipe clip over the end of the pipe

> Push the pipe onto the water inlet

> Push the riser into the slot in the mixer

> Hold this in position and mark screw holes (Two people may be required)

> Ensure this is vertical

> Remove the assembly and drill holes (Ensure no pipes or wires can be affected)

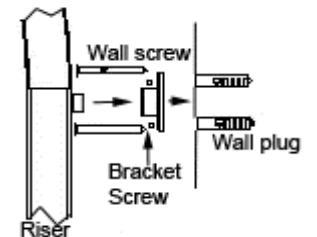
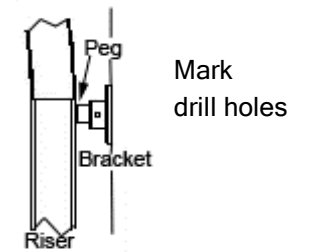
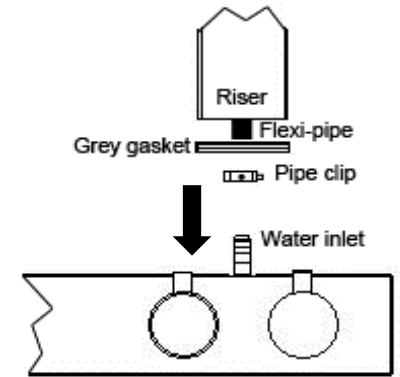
> Insert wall plugs

> Remove the wall bracket from the back of the riser, by loosening the two screws

> Secure this to the wall using screws provided

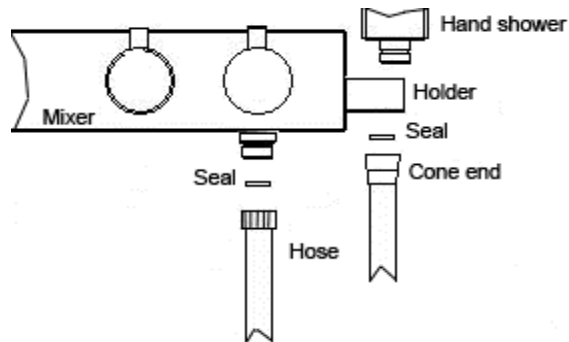
> Re-fit the assembly as previous but ensure to fully push the pipe onto the water inlet and tighten the clip fully.

> Locate the rail peg on the rear, into the wall bracket and secure this by tightening the two screws.



## Installation

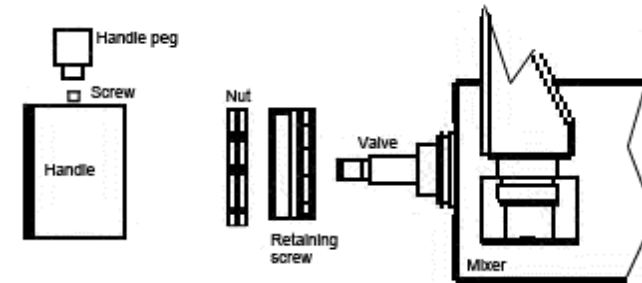
- > Place the seals in each end of the shower hose.
- > Connect the knurled end of the hose to the outlet on the underside of the mixer
- > Connect the cone end of the hose to the hand shower
- > Place the cone of the hose into the holder.



Turn on water supply and check for leaks

## Maintenance

- > In the event that the diverter valve should need to be cleaned or replaced, please use the following instruction.
- > Turn off water supply
- > Unscrew the handle peg
- > Remove the screw inside the handle, using an allen key
- > Pull the handle from the mixer
- > Unscrew the chrome nut visible once the handle is removed (Take care not to damage the mixer face)
- > Unscrew the brass retaining screw, using grips or pliers
- > This will then expose the diverter valve
- > To remove, pull this from the mixer, grips may be required.



- > When replacing the valve, please ensure that the two pegs on the base of the valve are correctly located into the two holes inside the mixer.

No water flow



- 1. Cold water failure, thermostatic anti-scald activated
- 2. No supply to mixer, supply pipe blockage
- 3. No supply to mixer, isolation valves closed
- 4. Blockage in filters, thermostat or flow control valve
- 5. Non-return valve stuck in closed position



- 1. No action
- 2. Remove mixer, flush pipes
- 3. Open isolation valves
- 4. Remove components and clean.
- 5. Remove mixer, press non-return valve several times

Poor water flow



- 1. Blockage in filters, thermostat or flow control valve
- 2. Isolation valves not fully open
- 3. Insufficient water pressure
- 4. Pump fitted, but not starting up
- 5. Blockage or air lock in supply pipe



- 1. Remove components and clean
- 2. Open isolation valves
- 3. Fit pump (not to mains)
- 4. Check sufficient flow (l/min) to activate pump
- 5. Remove mixer and flush pipes

Water too cold



- 1. Hot water isolation valve not fully opened
- 2. Blockage on hot supply
- 3. Blockage on hot side of mixer
- 4. Mixer has not been calibrated
- 5. Pressure difference between hot and cold
- 6. Hot water, not hot enough 55-85c



- 1. Open isolation valve
- 2. Remove mixer and flush pipes
- 3. Remove mixer and check non-return valve function
- 4. Re-set temperature - see instruction
- 5. Pressures need to be balanced to allow mix of water.
- 6. Increase hot water supply via boiler or cylinder.

Temperature fluctuation



- 1. Water supply in use elsewhere in the house
- 2. Pressure/temperature fluctuation from system
- 3. Blocked thermostat



- 1. A slight fluctuation will occur, until the thermostat has adjusted itself.
  - 2. System issue with supply to mixer, consult an engineer
  - 3. Remove thermostat and clean.
- If the above do not resolve the issue contact the supplier

Dripping/ running after turning off



- 1. Has the flow control been fully closed
- 2. Does the dripping stop



- 1. Fully close the flow control valve
  - 2. If the dripping stops, this is residual water emptying.
- This can also be caused by not flushing the system before installation, which damages the flow control valve.

# Guarantee

Your product comes with a 1 year guarantee when installed, used and cleaned in accordance with this manual.

## **Not covered by the guarantee is:**

- Breakdown due to -
  - a) Use other than domestic
  - b) Wilful act of neglect
  - c) Any malfunction resulting from incorrect use
  - d) Incorrect setting of controls
  - e) Any malfunction resulting from poor water quality
- Repair costs for damage caused by foreign objects or substances
- Total loss of the product due to non-availability of parts
- Compensation for loss of use of the product or consequential loss of any kind.
- Call out charges where no fault has been found with the product.

Your product comes with a 1 year guarantee when installed, used and cleaned in accordance with this manual.

## **Not covered by the guarantee is:**

- The cost of repair or replacement of pressure relief devices, spray heads, hoses, riser rails and/or wall bracket or any other accessories installed at the same time.
- The cost of routine maintenance, adjustments, overhaul, modifications, loss or damage, arising therefrom, including the cost of repairing damage, breakdown, malfunction caused by corrosion, furring, pipe scaling, lime scale, system debris or frost.