

Product Specification

Minimum Pressure	2.0 bar
Maximum Pressure	5.0 bar
Cold Temperature -	4 - 20 c
Hot temperature	55 - 85 c

1/2" bsp female end flexi-connectors

Single function rub clean hand shower

Single function rub clean shower head

Single function rub clean body jets

38c Temperature stop position

Minimum 10c difference between hot supply and mixed outlet temperature

In-coming pressures should be balanced



Important

When drilling check wires and pipes will not be damaged

Before installation fully flush the system to remove debris

Hot supply must be on left and cold supply on right

Cleaning

All surfaces should be cleaned using a clean damp cloth.

No abrasive cleaning agents or materials should be used.

Telephone
0844 484 7678

Concealed Shower Panel

7330



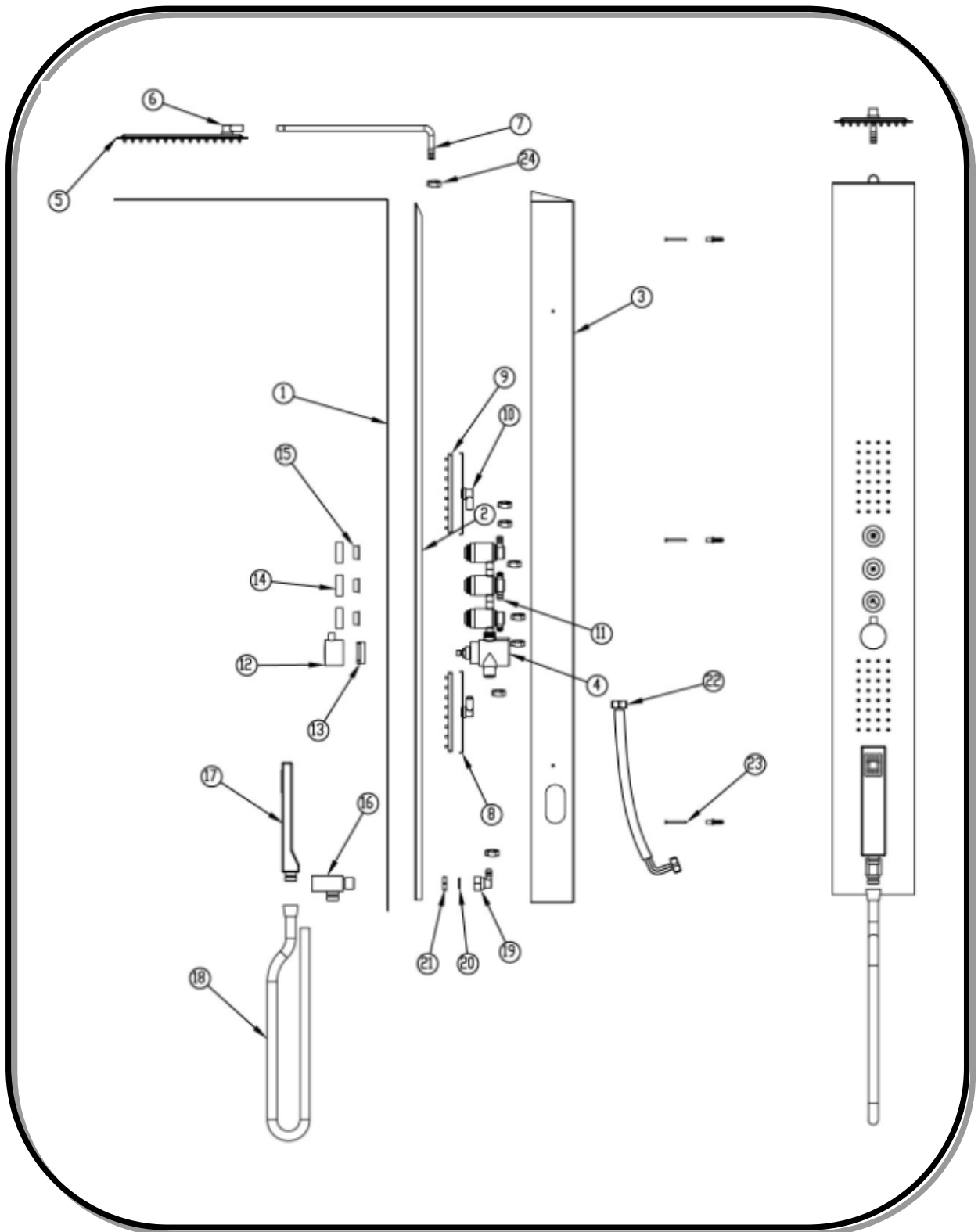
Please retain this manual after installation for future reference and maintenance.

Product must be installed in compliance with relevant Water Regulations and Byelaws

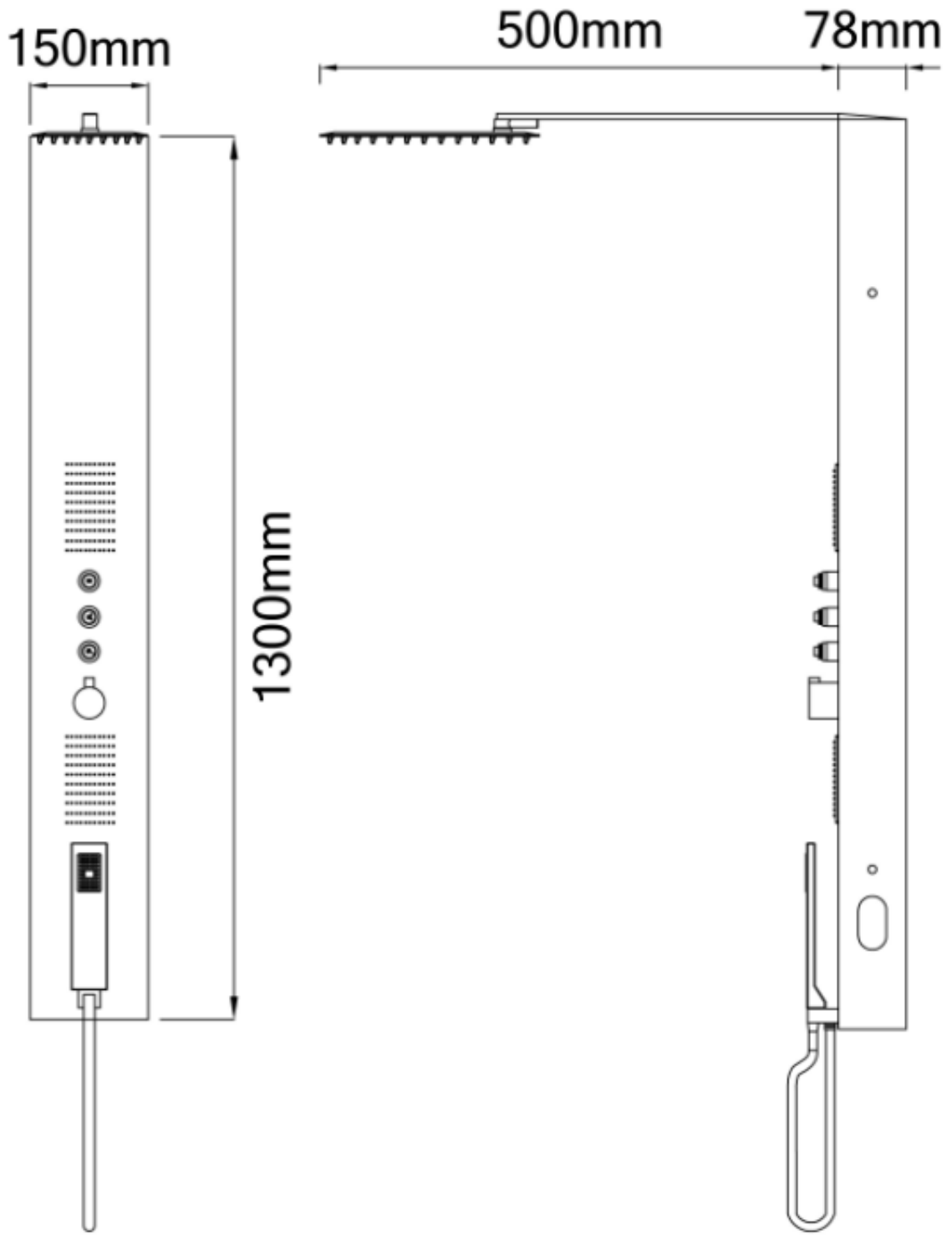
Installation

Part No.	Description	Qty
1	Shower Panel Body	1
2	Fixing Panel	1
3	Fixing Frame	1
4	Thermostatic Cartridge	1
5	Shower Head	1
6	Elbow	1
7	Connector bar	1
8	Body jets	2
9	Nozzles for body jets	2
10	M12x1 elbow for body jets	2
11	Connetor	1
12	Thermostatic Handle	1
13	Position holder	1
14	Button covers	3
15	Buttons	3
16	Hnadset Bracket	1
17	Handset	1
18	Shower hose	1
19	G1/2" Connector	1
20	Washer	1
21	G1/2" Hexagonal Nut	1
22	G1/2" Flexi tails	2
23	Plugs	6
24	Clips	8

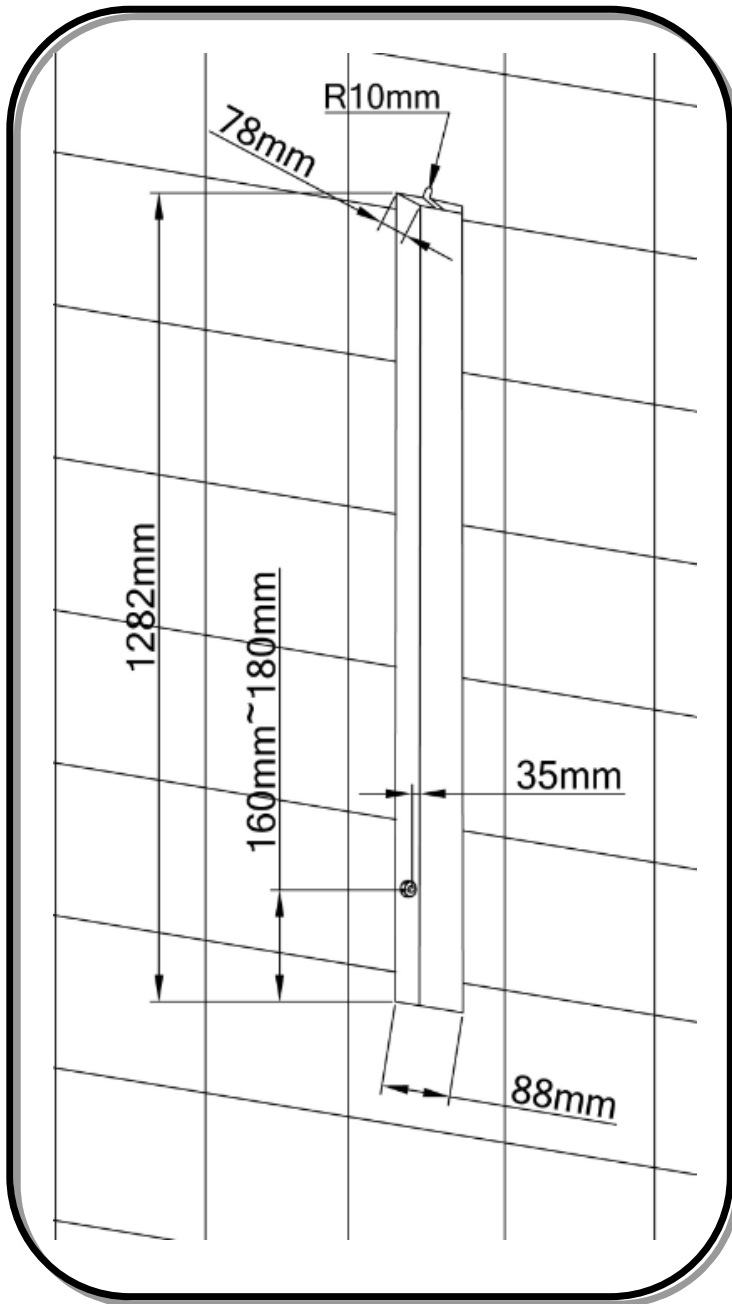
Parts



Dimensions



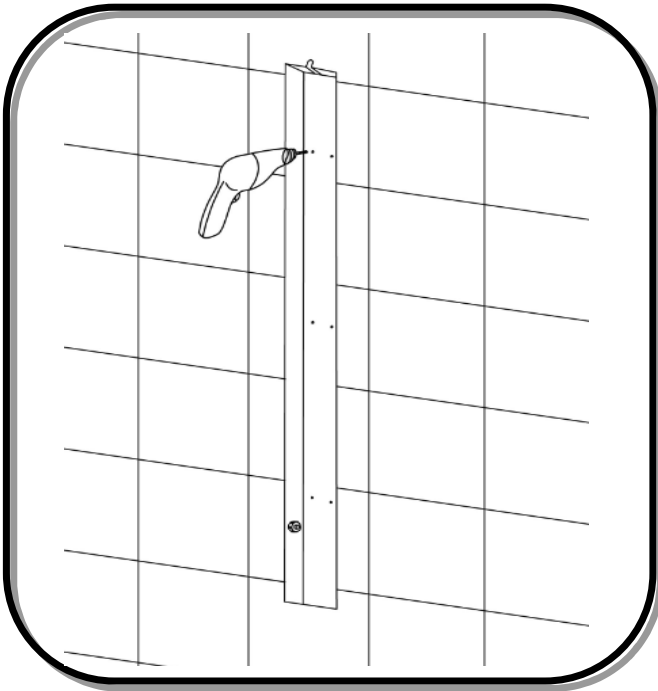
Installation



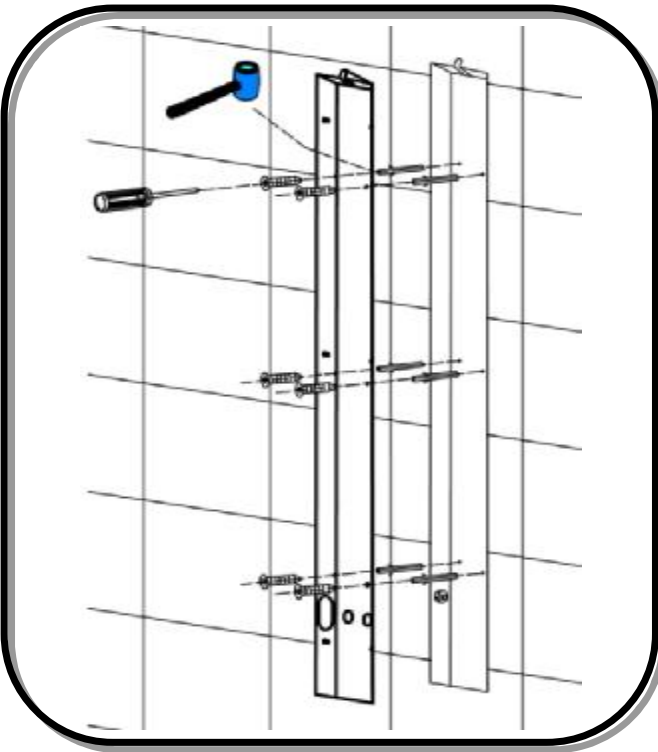
Create a cavity in the wall to dimensions 1282mm×88mm×78mm to secure the fixing frame.

Ensure the fixing frame is vertically aligned and secured into position.

Installation

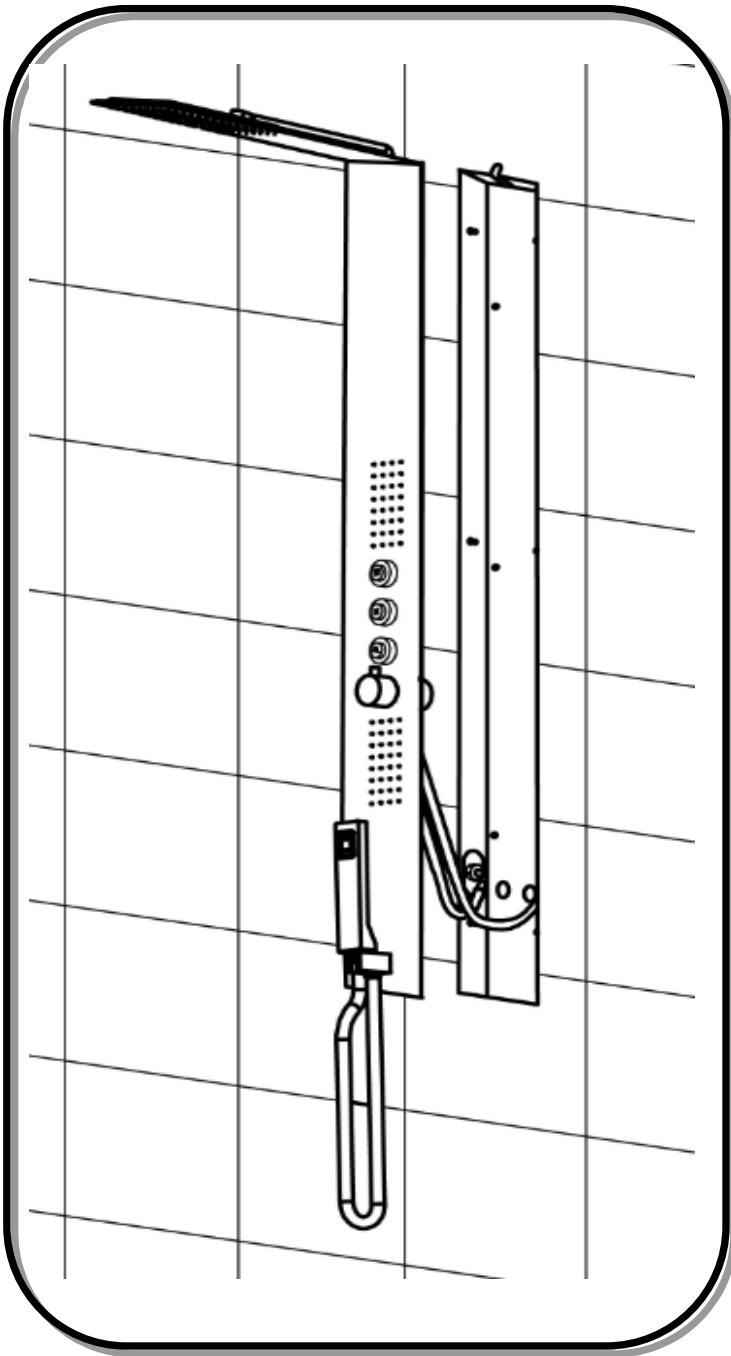


Drill the holes into wall through the holes on the fixing frame.



Offer the fixing frame to the wall and secure using the screws provided.

Installation



Connect red and blue flexi-tails to hot and cold supply connections.

Blue flexi-tail on right must be connected to cold supply.

Once all of the pipe connections have been made and checked for leaks.

Hook the panel onto the pegs located inside the fixing frame and ensure this is full located.

The panel can be sealed down each edge if required.

Guarantee

Not covered by the guarantee is:

- Breakdown due to -
 - a) Use other than domestic
 - b) Wilful act of neglect
 - c) Any malfunction resulting from incorrect use
 - d) Incorrect setting of controls
 - e) Any malfunction resulting from poor water quality
- Repair costs for damage caused by foreign objects or substances
- Total loss of the product due to non-availability of parts
- Compensation for loss of use of the product or consequential loss of any kind.
- Call out charges where no fault has been found with the product.

Not covered by the guarantee is:

- The cost of repair or replacement of pressure relief devices, spray heads, hoses, riser rails and/or wall bracket or any other accessories installed at the same time.

- The cost of routine maintenance, adjustments, overhaul, modifications, loss or damage, arising therefrom, including the cost of repairing damage, breakdown, malfunction caused by corrosion, furring, pipe scaling, lime scale, system debris or frost.