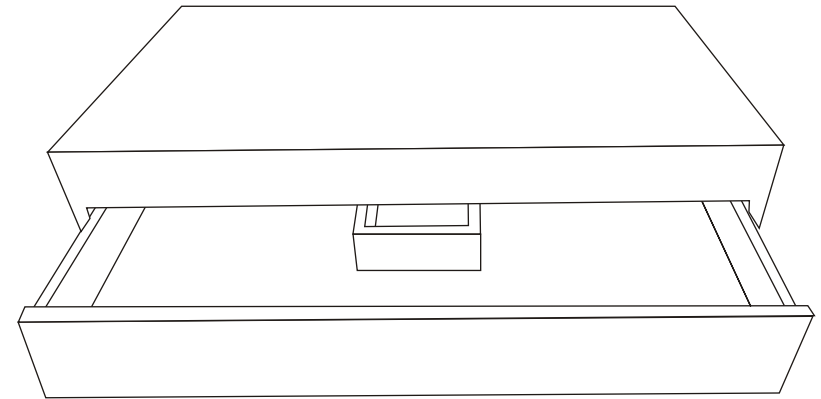


Installation Operation Manual

Wall Mounted Vanity Unit

This manual will cover the installation of the following code:

7454, 7455, 7456, 7457, 7458, 7459



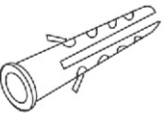

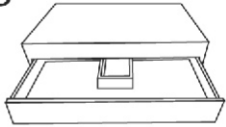
Please retain this manual after installation for future reference and maintenance

IMPORTANT:

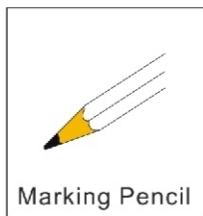
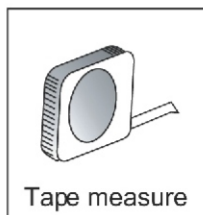
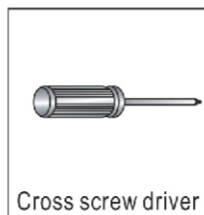
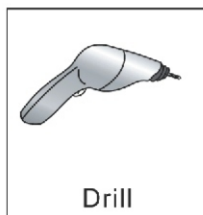
* Two people are required for installation

Telephone
0044 484 7678

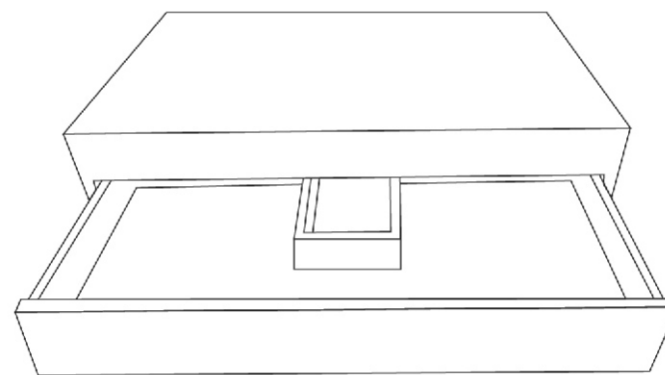
Part list

A  Wall Plug X2	B  M6x60 screws X2	C  Cabinet X1
--	---	--

Tools:

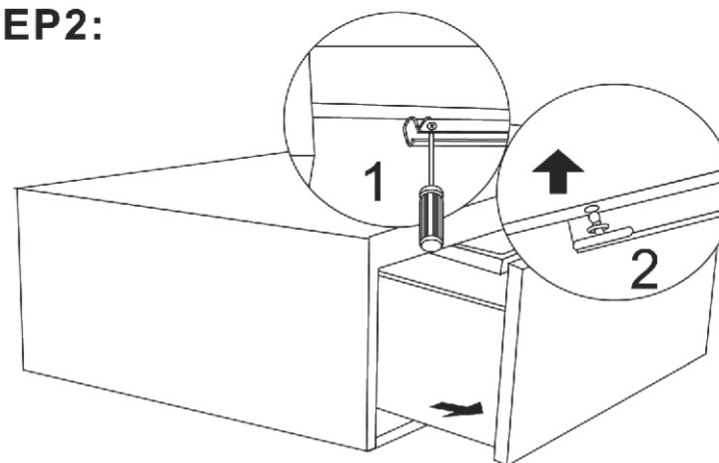


STEP1:



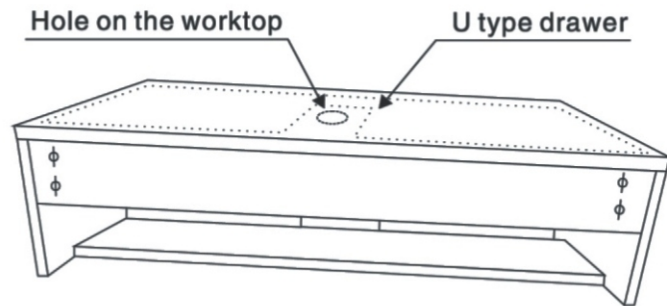
Place the cabinet on the table and fully pull out the drawer.

STEP2:



1. Locate the screw on the bottom of the slider, which connects and holds the slider to the drawer and remove this screw
2. Lift the drawer slightly and ensure the pin on the slider comes out of the hole of the bottom of the drawer
3. Then pull the drawer out, to remove it from the sliders.

STEP3:



Holes are not pre-drilled:

1. Drill waste hole before the cabinet installed to wall.

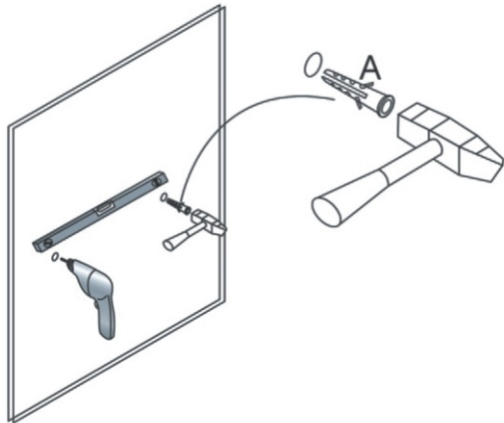
2. Drill tap hole (if the cabinet to go with extended basin mono).

Not necessary to drill the tap hole if the cabinet to go with wall mounted tap.

*** There are four holes at the back of the unit, but strongly recommend to use the bottom two holes.

*** Any holes drilled, must be sealed along the open edge to prevent water penetration.

STEP4:



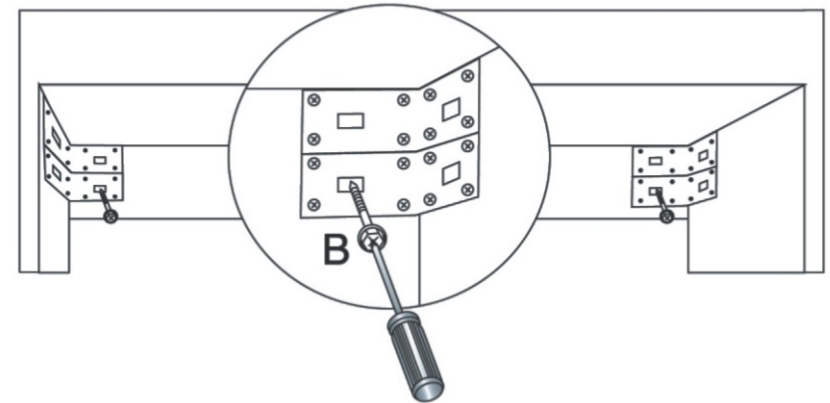
Put the wall hung cabinet to be positioned on the wall.

Use a spirit level to make sure the wall unit is level.

Mark the two holes on the wall. Then take away the cabinet.

Locate the wall plugs behind the vanity cabinet location and mark the center line of each plug.

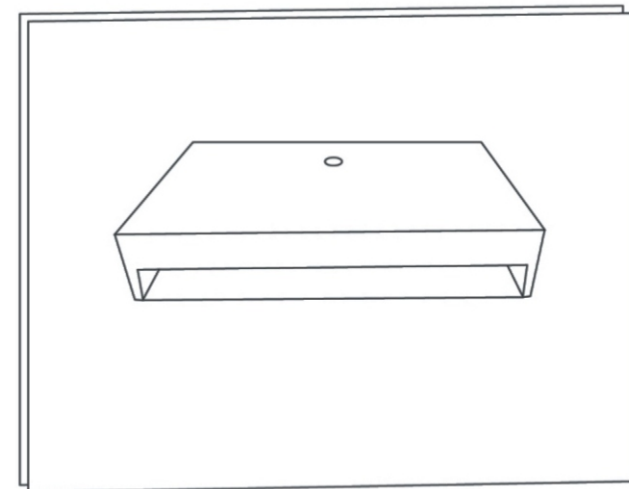
STEP5:



1. The brackets are pre-installed to the unit and holes for wall plugs are pre-drilled on the unit.

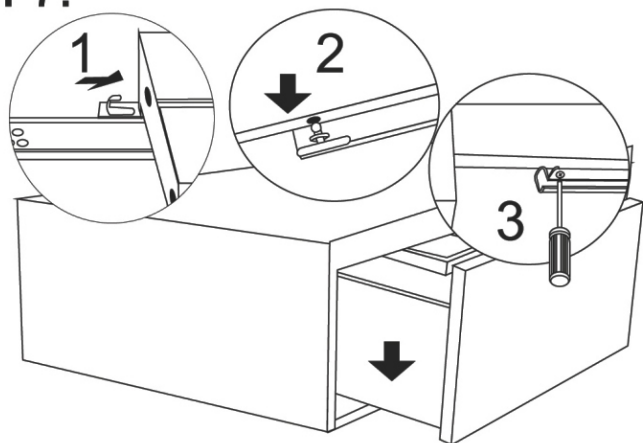
2. Position the vanity cabinet in place, making certain to feed the water supply lines and drain pipe and screw it tightly against the wall.

STEP6:



Vanity body is installed on the wall

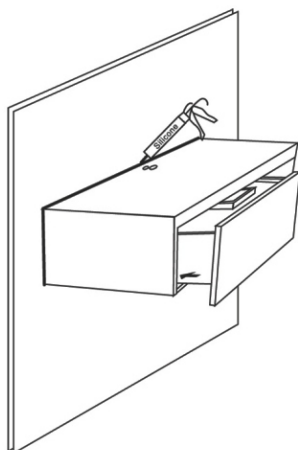
STEP7:



1. Make sure the hooks at the end of the sliders fit the holes at the back side of the drawer.
2. Make sure the pins at the bottom of the sliders fit into the holes on the bottom of the drawer
3. Screw the drawer and sliders together until secure.
4. Push the drawer closed to check this closes correctly.

STEP8:

Silicone the gap between the vanity body to the wall



- *** No harsh chemicals, agents or materials should be used to clean this item.
- *** The unit withstands maximum 30kg excluding unit weight.
- *** Do not use within 24 hours to let the silicone fully cure.