

## Cleaning

All chrome surfaces should be cleaned using a clean damp cloth.

No abrasive cleaning agents or materials should be used.

General glass cleaner can be used for the screen, but ensure that this will not damage the chrome, check the cleaning information on the product before use.

This instruction will cover installation of the following units

### **Codes:**

7691

Telephone  
**0333 777 4777**

## Windsor 750 Mirror Cabinet with 2 Lights



Please retain this manual after installation for future reference and maintenance.

Images are for installation purposes only.



### IMPORTANT

Handle with care, impact can damage both the glass and frame

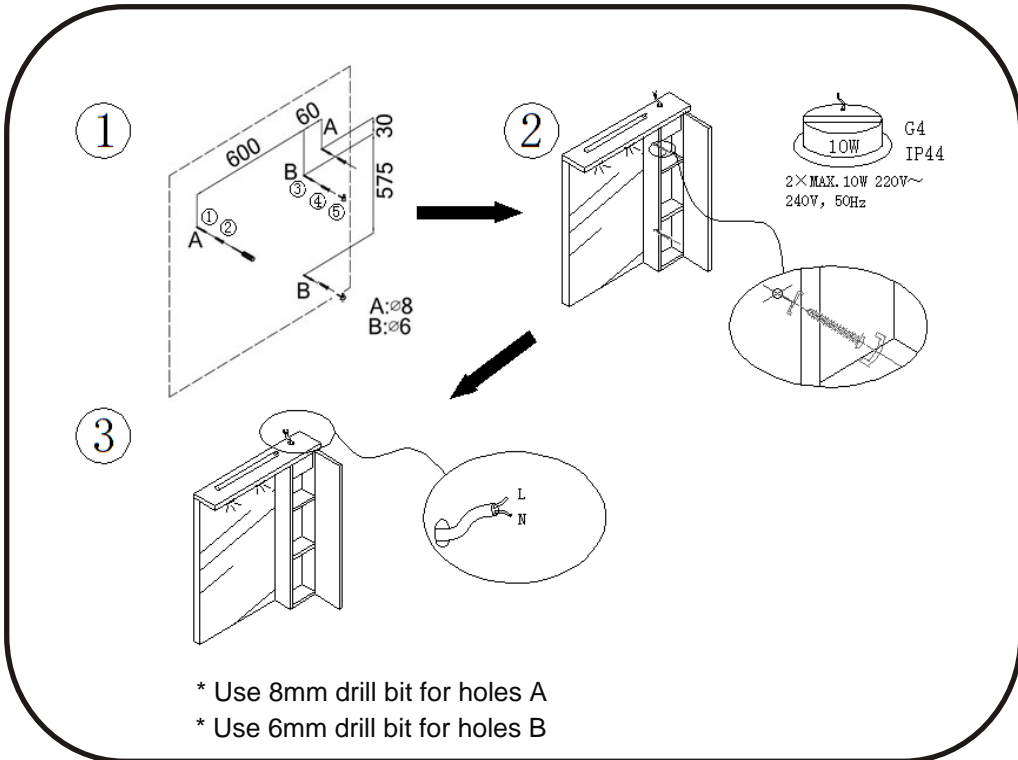
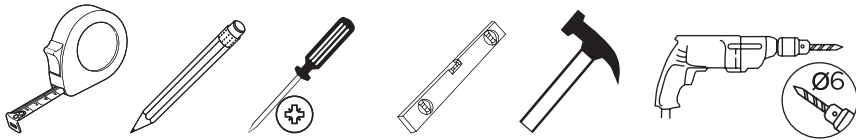
Check for pipes and wires prior to drilling

Use of safety equipment is advised

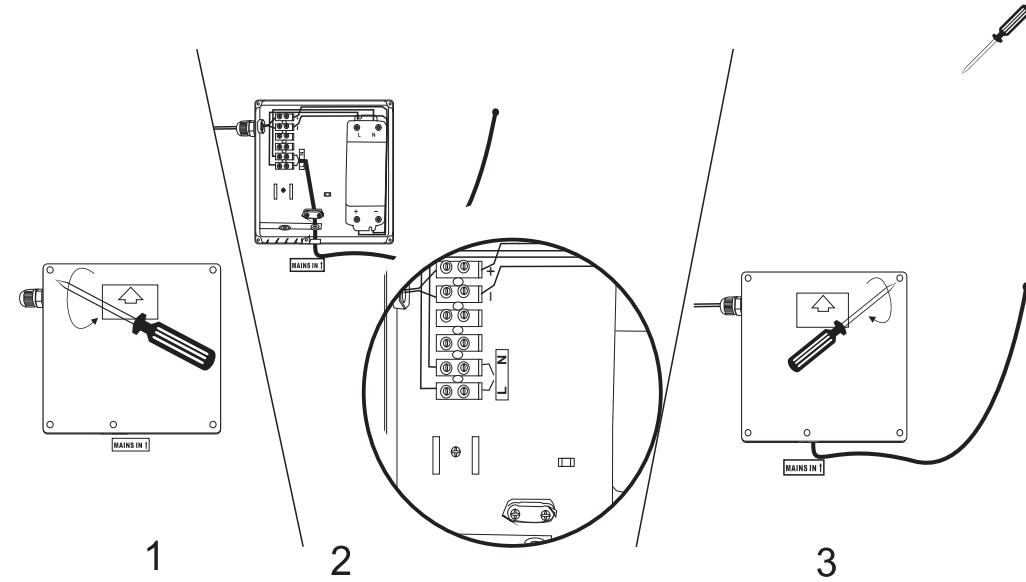
Two people may be required for parts of the installation

ClassIII approved product(output voltage 12V) does not need earth wire

**Tools Required(not provided)**



**Figure1**



**Installation Guide**

\*\*\* The unit can only be installed by fully qualified electrician.

1. Position the mirror in a suitable location, make sure the domestic electrical mains supply is within reach of the electrical entry point of the product.
2. Carefully mark the position of the mirror using a soft pencil ensuring it is level. Remove the mirror and mark the mounting points. Please ensure that all marked mounting points accurately match up with the fixing points on the mirror.
3. Using a suitable drill bit, drill holes in the marked positions to a suitable depth.

Installation Guide

4. Insert wall plugs level with the surface of the wall. If fitting to a tiled surface, wall plugs should be inserted below the tile surface to avoid cracking.
5. Screw supplied fixings into wall plugs on position A.
6. Ensure the domestic electrical mains supply to which the mirror is being connected is turned off. Connect the domestic mains supply to the wires on top of the mirror cabinet --- the live wire in brown and neutral wire in blue.
7. Hang the cabinet onto the screws (Position A). Then open the cabinet door panel, thread in the screws on position B to secure the cabinet, put the screw covers on to screws.

Parts List

No.	Item	Qty	Remark
1	wall plug	2	Φ8*45
2	screw	2	Φ5*50
3	wall plug	2	Φ6*25
4	screw	2	Φ4*30
5	screw cover	2	

Product Specification

Wattage	10W
Voltage	220-240V,50-60Hz
Consumption	25kwh/1000h
Lumen	210lm
Energy class	E
Life time	2000H
Color temperature	2700K
CRI	80
Switch cycles	50000
Dimmable	NO
Hg	0
Socket	G4,Chrome
Size(diameter*length)	70*17mm
Certificate	CE, IP44