

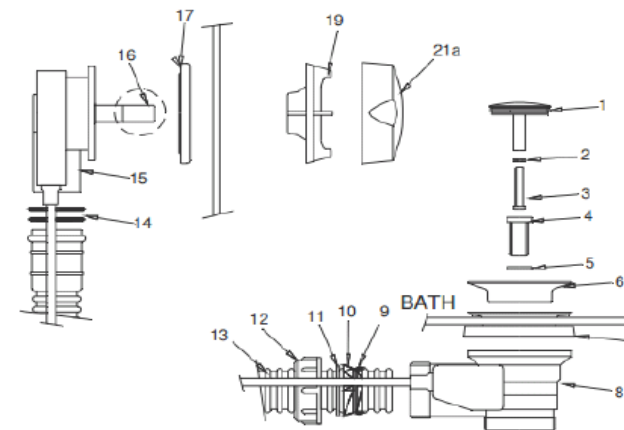
Bath Pop Up Waste

INSTALLATION

1. Identify all components and check for completeness.
2. Fit the waste body (8) and flange (6) to the bath securing using screw (4) and washer (5); ensure sealing washer (7) is placed under the bath before this is done as shown on diagram.
- Use a pure Silicon sealant where necessary.
3. Fit the overflow elbow (15) to the bath ensuring overflow washer (17) is in place, secure with overflow flange (19).
- Use a pure Silicon sealant where necessary.
4. Connect flexible tube (13) to the waste body (8) using the plastic nut (12) and washers 9, 10, and 11 fitted in the correct order as shown.
5. Connect the flexible tube (13) to the overflow elbow (15) ensuring o-rings (14) are fitted.
6. Push the handle (20) fully onto the control spindle and secure using the grub screw located on the underside of the handle.
7. Check all joints and connections for leaks.

COMPONENTS

- | | |
|---------------------------------|--------------------|
| 1. Plug | 2. Adjusting nut |
| 3. Adjusting screw | 4. Flange screw |
| 5. Spacer washer | 6. Waste flange |
| 7. Flange / body sealing washer | 8. Waste body |
| 9. O-ring | 10. Conical washer |
| 11. Nylon washer | 12. Plastic washer |
| 13. Flexible tube | 14. O-rings x 2 |
| 15. Overflow elbow | 16. Spline |
| 17. Overflow washer | 20 a/b. Handle |
| 19. Overflow flange | |



NB: - Spacer washer (5) may need to be removed if fitted to a cast iron bath.