

Product Specification

Minimum Pressure	1.5 bar
Maximum Pressure	3.0 bar
Cold Temperature -	4 - 20 c
Hot temperature	55 - 85 c
1/2" bsp female end flexi-connectors	
Single function rub clean hand shower	
Single function rub clean shower head	
Single function rub clean body jets	
38c Temperature stop position	
Minimum 10c difference between hot supply and mixed outlet temperature	
In-coming pressures should be balanced	



Important

When drilling check wires and pipes will not be damaged
Before installation fully flush the system to remove debris
Hot supply must be on left and cold supply on right

Cleaning

All surfaces should be cleaned using a clean damp cloth.
No abrasive cleaning agents or materials should be used.

Telephone
0844 484 7678

Aspire Shower Panel

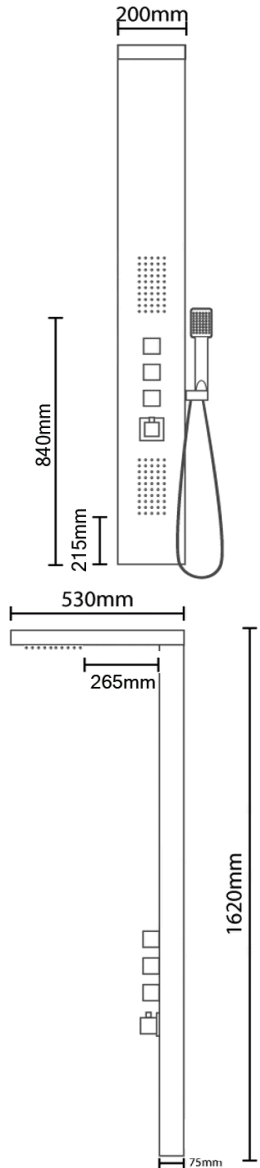
9006 -- 9007



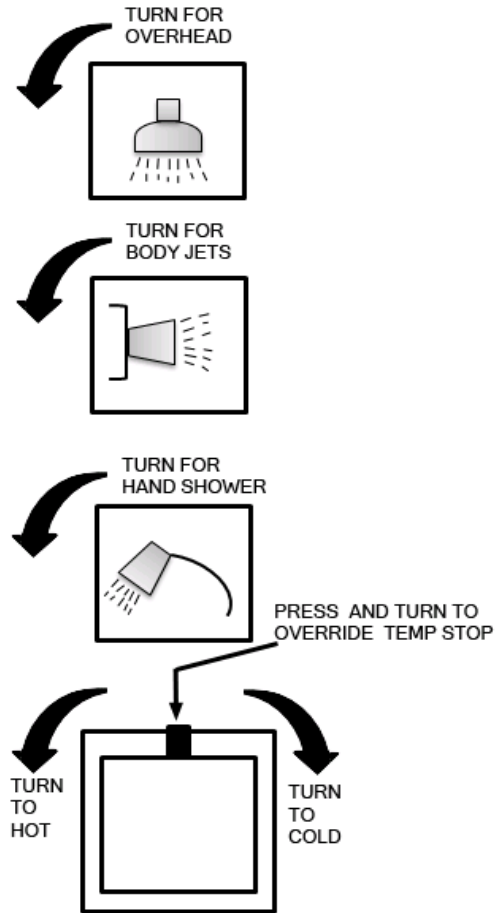
Please retain this manual after installation for future reference and maintenance.

Product must be installed in compliance with relevant Water Regulations and Byelaws

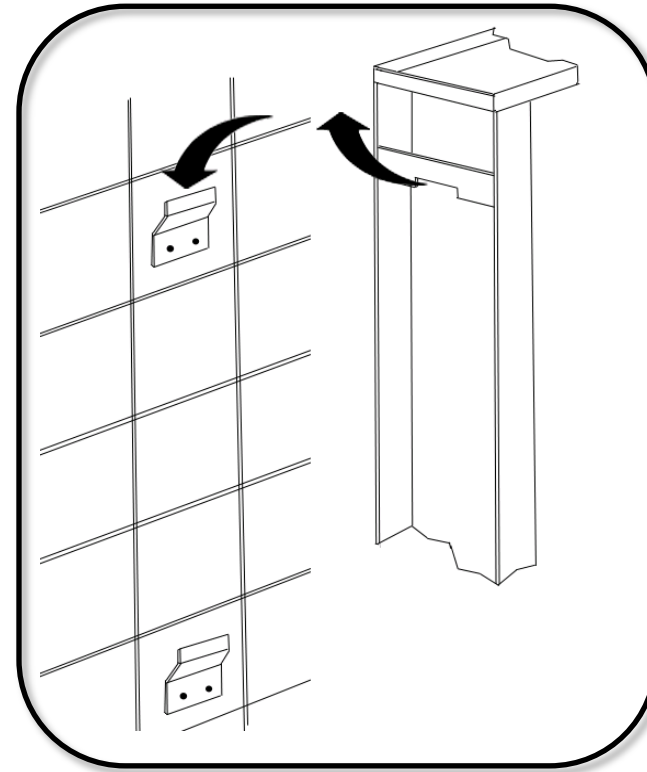
Dimensions



Operation



Installation



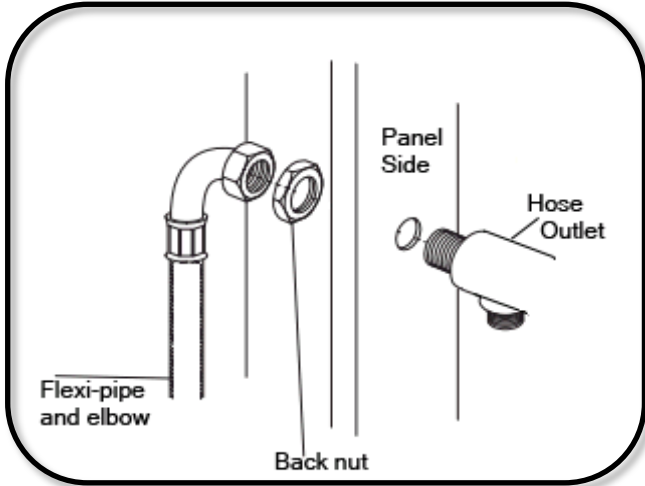
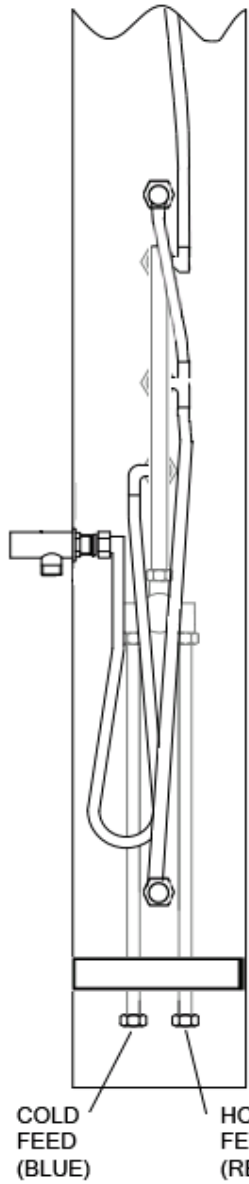
Once all of the pipe connections have been made and checked for leaks.

Hook the panel over the wall mounting brackets.

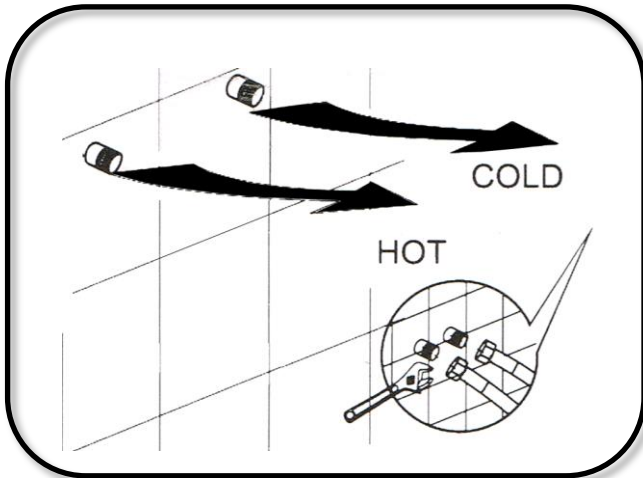
Align so that the panel hangs vertically.

The panel can be sealed down each edge if required.

Installation

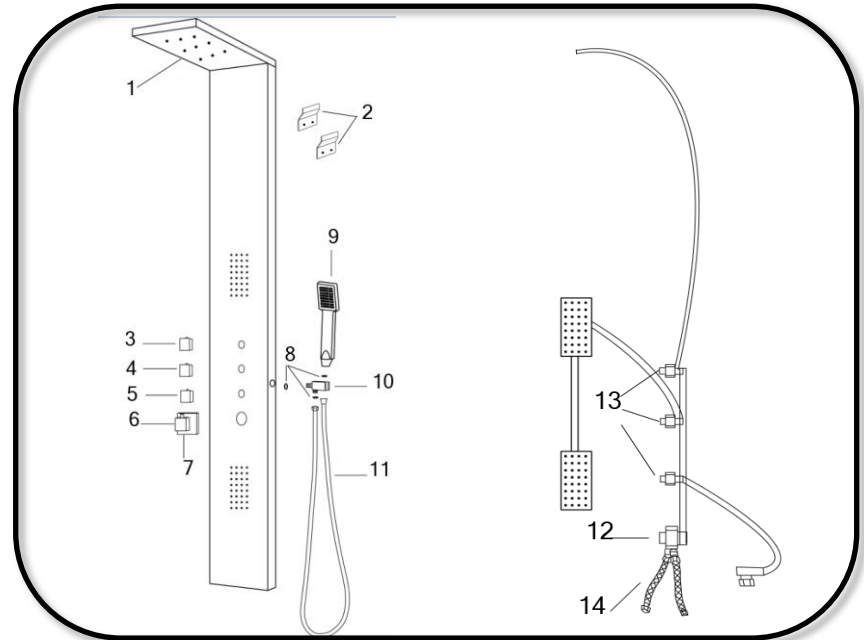


Place outlet thread through side of panel and connect nut.
Ensure washer is fitted in elbow and connect to thread



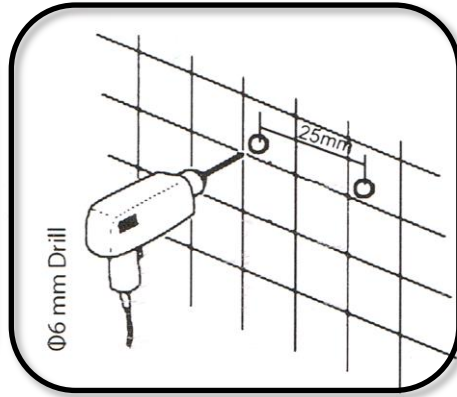
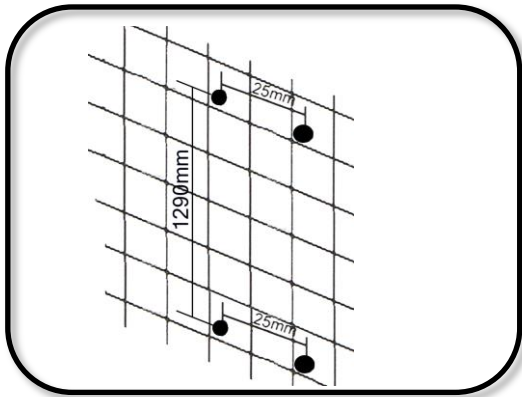
Connect red and blue flexi-tails to hot and cold supply
Tighten all connections

Parts



Part	Code	Description
1	P0026-2	Overhead shower - Steel
1	P0026-3	Overhead shower - Black
2	P0028-2	Mounting brackets
3	P0008-8	Overhead control handle
4	P0008-9	Body jet control handle
5	P0008-10	Hand shower control handle
6	P0008-11	Temperature control handle
7	P0045-6	Temperature dial
8	P0022-1	Hose seals
9	P0021-4	Hand shower
10	P0048-1	Outlet elbow
11	P0023-1	Shower hose
12	P0005-5	Thermostatic cartridge
13	P0007-4	Flow control valve
14	P0049-1	Supply flexi-tails

Installation



Prepare holes in the wall to secure the mounting brackets.

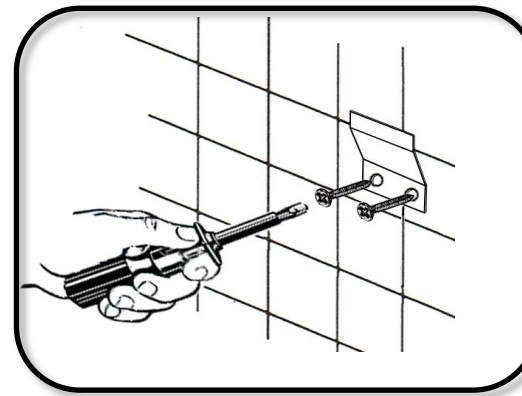
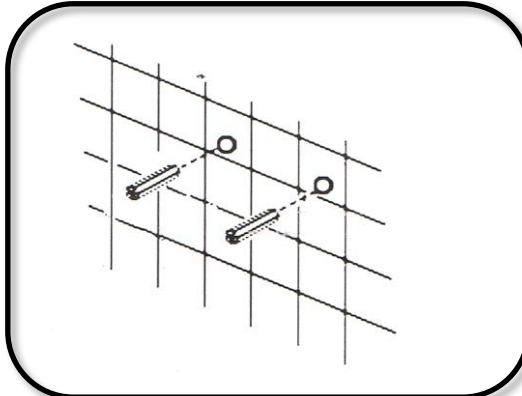
Ensure the bracket positions are vertically aligned.

The hole centres are 25mm apart in width and 1290mm apart in height.

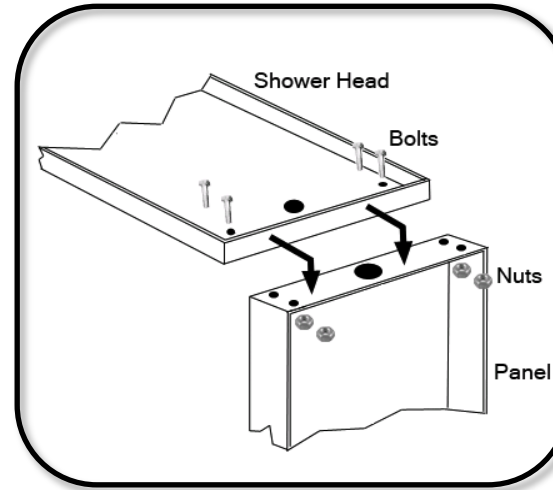
The bottom holes should be approx 125mm from the bottom of the panel.

Drill the holes and insert plugs, tap in the plugs to make them flush with the finished wall.

Offer the mounting plate to the wall and secure using the screws provided.

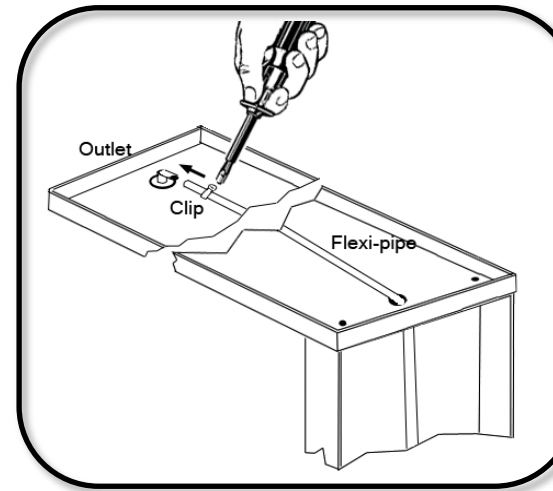


Installation



Place the shower head onto the main panel and align the holes.

Fit the bolts through the four holes and connect the nuts from inside the main panel, tighten fully.



Feed the long flexi-pipe through the larger hole in the centre of the panel.

Pull this towards the outlet inside the head of the panel.

Fit the jubilee clip to the flexi-pipe.

Connect end of pipe to the outlet once fully attached, tighten clip.

Guarantee

Your product comes with a 1 year guarantee when installed, used and cleaned in accordance with this manual.

Not covered by the guarantee is:

- Breakdown due to -
 - a) Use other than domestic
 - b) Wilful act of neglect
 - c) Any malfunction resulting from incorrect use
 - d) Incorrect setting of controls
 - e) Any malfunction resulting from poor water quality
- Repair costs for damage caused by foreign objects or substances
- Total loss of the product due to non-availability of parts
- Compensation for loss of use of the product or consequential loss of any kind.
- Call out charges where no fault has been found with the product.

Your product comes with a 1 year guarantee when installed, used and cleaned in accordance with this manual.

Not covered by the guarantee is:

- The cost of repair or replacement of pressure relief devices, spray heads, hoses, riser rails and/or wall bracket or any other accessories installed at the same time.
- The cost of routine maintenance, adjustments, overhaul, modifications, loss or damage, arising therefrom, including the cost of repairing damage, breakdown, malfunction caused by corrosion, furring, pipe scaling, lime scale, system debris or frost.