

**Product Specification**

Minimum Pressure 1.5 bar  
 Maximum Pressure 3.0 bar  
 Cold Temperature - 4 - 20 c  
 Hot temperature 55 - 85 c  
 1/2" bsp female end flexi-connectors  
 Single function rub clean hand shower  
 Single function rub clean shower head  
 Single function rub clean body jets  
 38c Temperature stop position  
 Minimum 10c difference between hot supply and mixed outlet temperature  
 In-coming pressures should be balanced



**Important**

To maintain the finish of your product, no abrasive cleaning agents or materials should be used, clean using only a clean damp cloth. Also prevent any harsh chemicals coming into contact with the product. Over a period of time lime scale build up may occur on the nozzles of the shower heads, to clean simply rub using your finger or a soft brush.

**Telephone**  
**0333 777 4777**

**Touch Thermostatic Shower Panel**



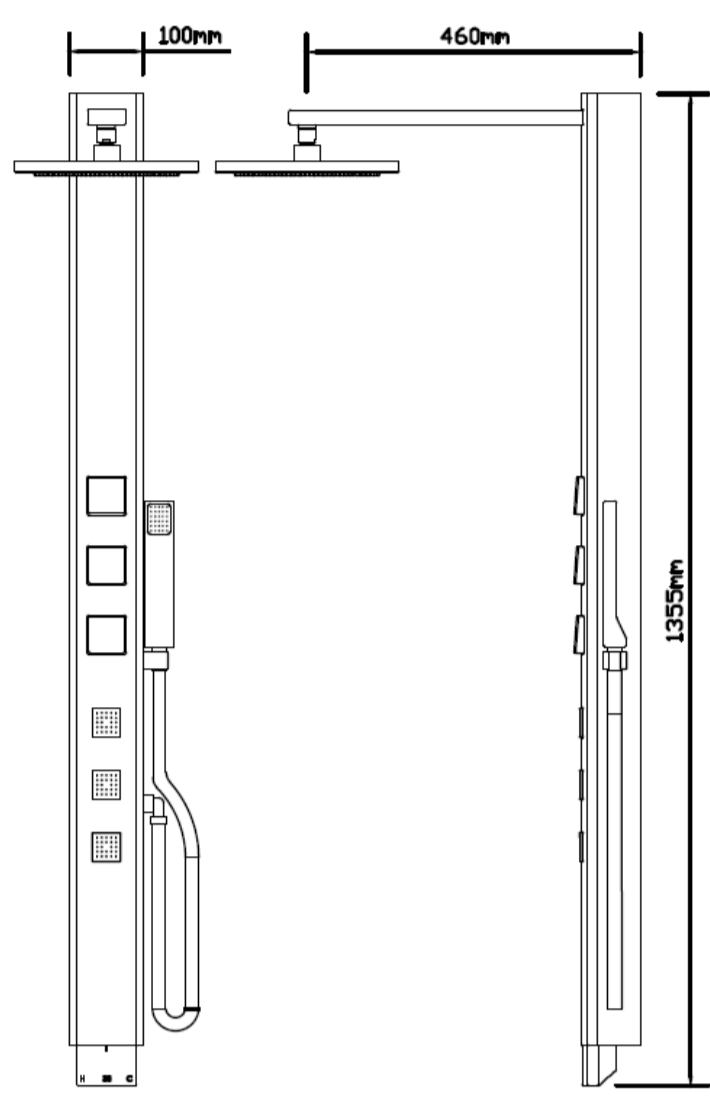
Please retain this manual after installation for future reference and maintenance.

Product must be installed in compliance with relevant Water Regulations and Byelaws

**Dimensions**

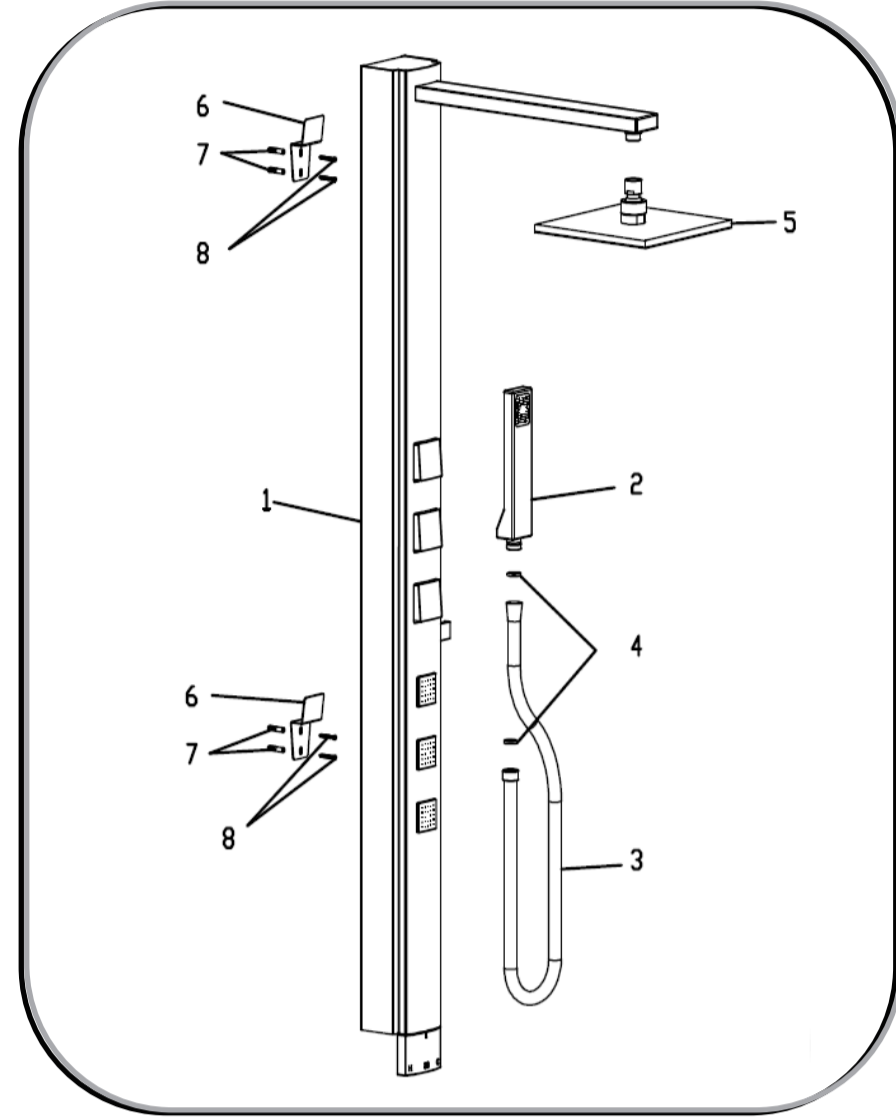
**Important:**

When setting the position of the panel, ensure that the flexi-tails are not installed in a way which will cause excessive bends or kinks



1

**Parts**



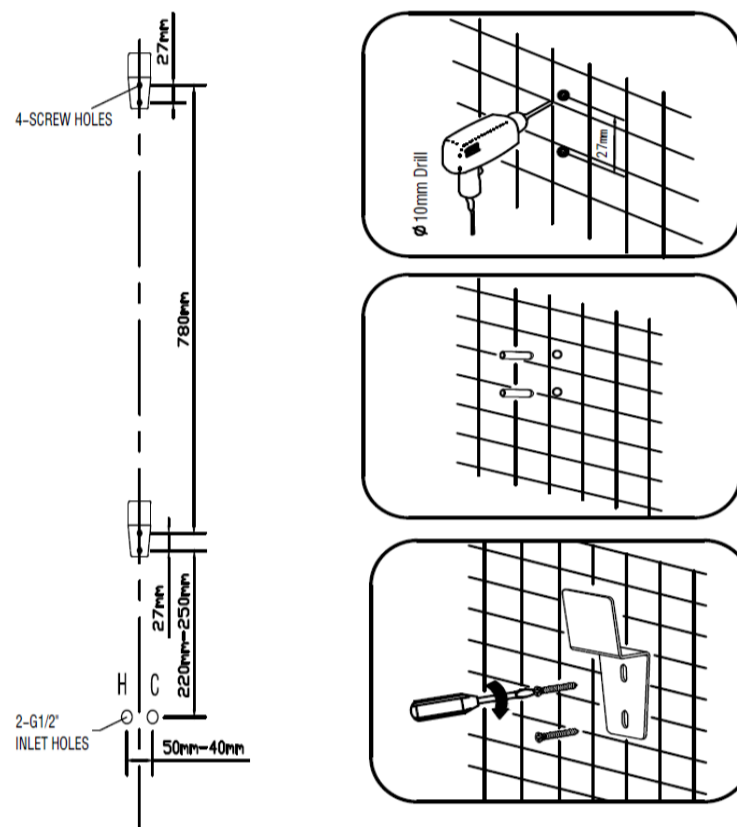
2

**Installation**

Part No.	Description	Qty
1	Shower panel	1
2	Handset	1
3	Shower hose	1
4	Rubber washer 18mm	2
5	Top Shower	1
6	Wall bracket	2
7	Wall plug	4
8	Wall screw ST4.5*48	4

3

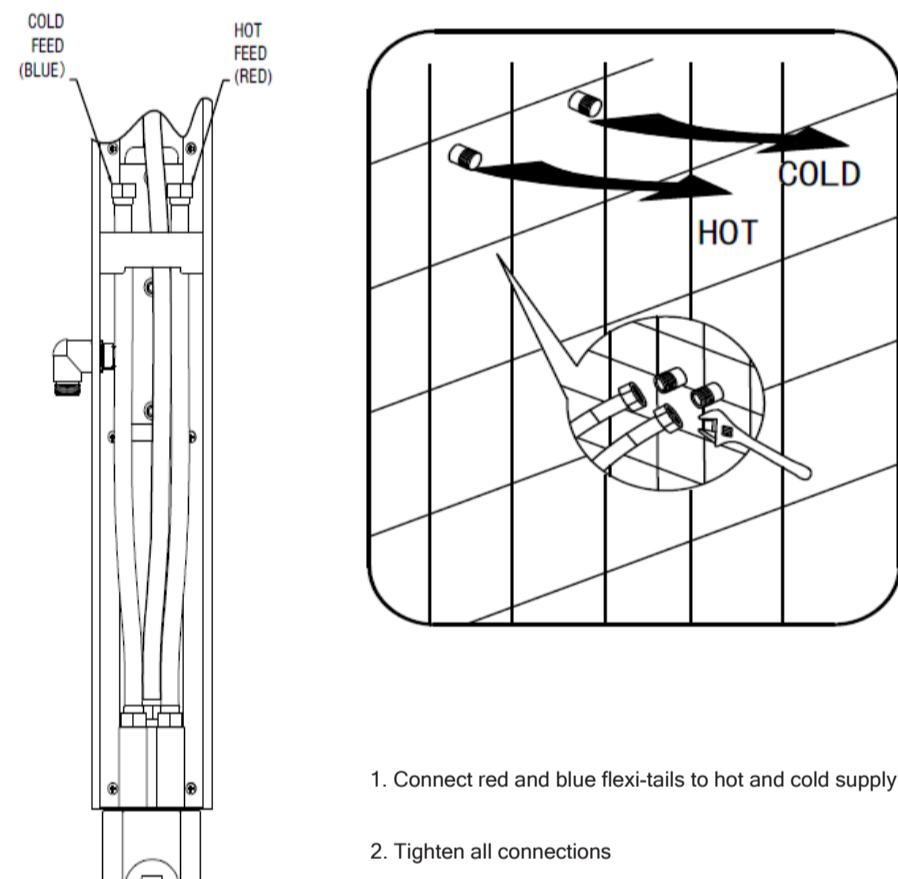
**Installation**



1. Prepare holes in the wall to secure the mounting brackets.
2. Ensure the bracket positions are vertically aligned.
3. Drill the holes and insert plugs, tap in the plugs to make them flush with the finished wall.
4. Offer the mounting bracket to the wall and secure using the screws provided.

4

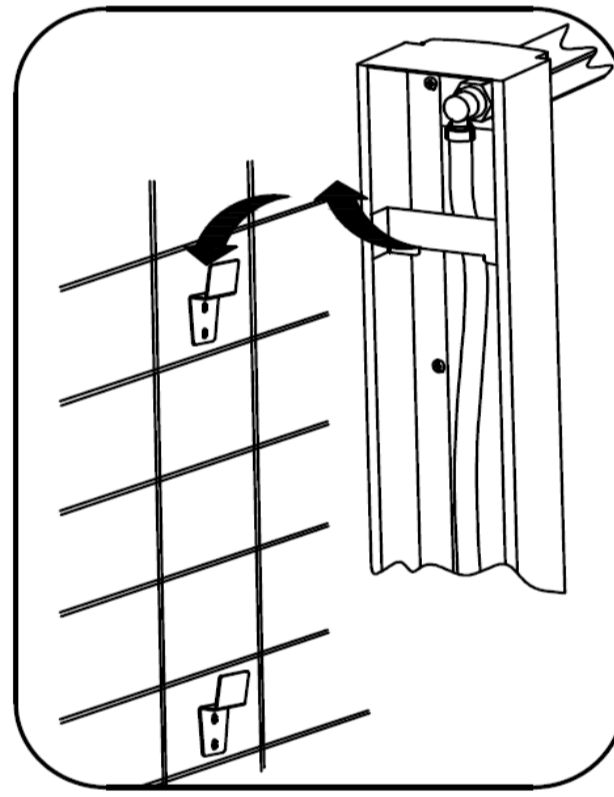
**Installation**



1. Connect red and blue flexi-tails to hot and cold supply.
2. Tighten all connections

5

**Installation**



1. Once all of the pipe connections have been made and checked for leaks.
2. Hook the panel over the wall mounting brackets.
3. Align so that the panel hangs vertically.
4. The panel can be sealed down each edge with gulle if required.

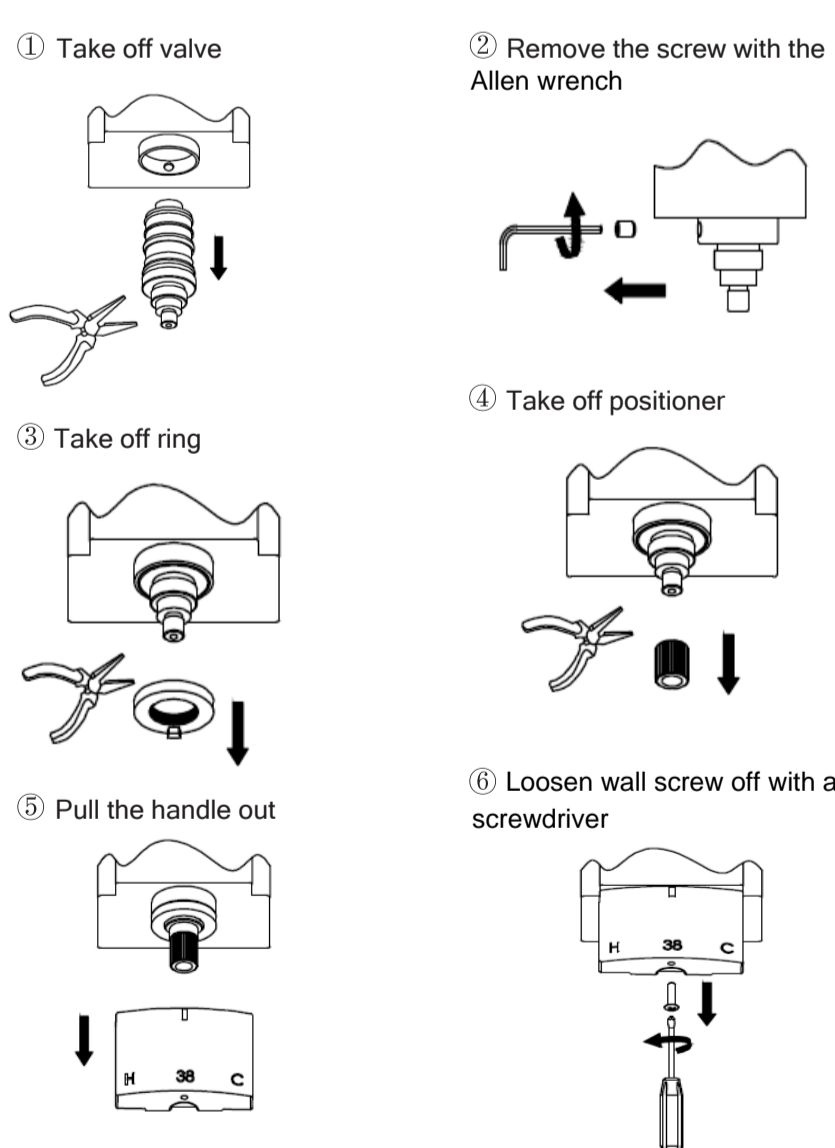
6



**NOTE: PLEASE CARRY OUT THE FOLLOWING STEPS IF CLEANING /MAINTENANCE IS REQUIRED**

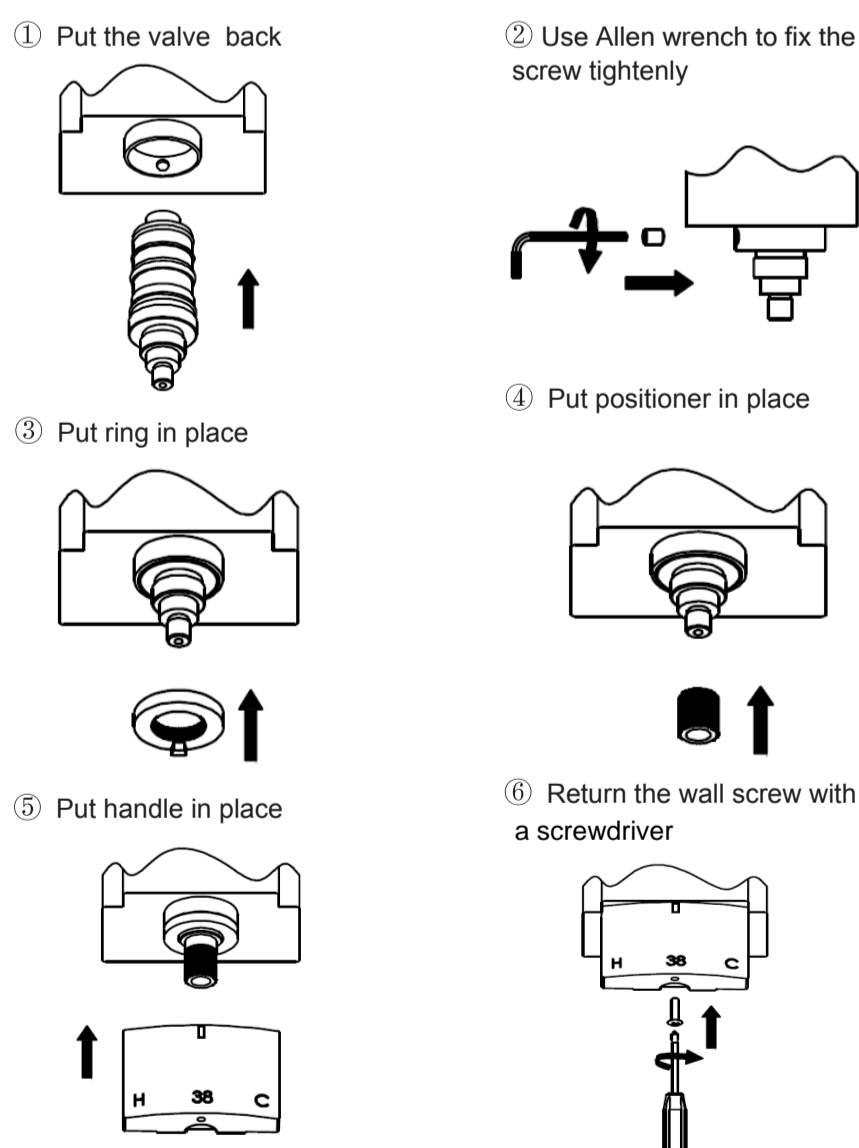
**Thermostatic valve removal and installation**

**Removal process**



7

**Installation process**



8

**Guarantee**

**Not covered by the guarantee is:**

- Breakdown due to -
  - a) Use other than domestic
  - b) Wilful act of neglect
  - c) Any malfunction resulting from incorrect use
  - d) Incorrect setting of controls
  - e) Any malfunction resulting from poor water quality
- Repair costs for damage caused by foreign objects or substances
- Total loss of the product due to non-availability of parts
- Compensation for loss of use of the product or consequential loss of any kind.
- Call out charges where no fault has been found with the product.

9

**Not covered by the guarantee is:**

- The cost of repair or replacement of pressure relief devices, spray heads, hoses, riser rails and/or wall bracket or any other accessories installed at the same time.
- The cost of routine maintenance, adjustments, overhaul, modifications, loss or damage, arising therefrom, including the cost of repairing damage, breakdown, malfunction caused by corrosion, furring, pipe scaling, lime scale, system debris or frost.

10