

Product Specification

Minimum Pressure 1.5 bar
 Maximum Pressure 3.0 bar
 Cold Temperature - 4 - 20 c
 Hot temperature 55 - 85 c
 1/2" bsp female end flexi-connectors
 Single function rub clean hand shower
 Single function rub clean shower head
 Single function rub clean body jets
 38c Temperature stop position
 Minimum 10c difference between hot supply and mixed outlet temperature
 In-coming pressures should be balanced



Important

To maintain the finish of your product, no abrasive cleaning agents or materials should be used, clean using only a clean damp cloth. Also prevent any harsh chemicals coming into contact with the product. Over a period of time lime scale build up may occur on the nozzles of the shower heads, to clean simply rub using your finger or a soft brush.

Telephone
0333 777 4777

Press Thermostatic Shower Panel



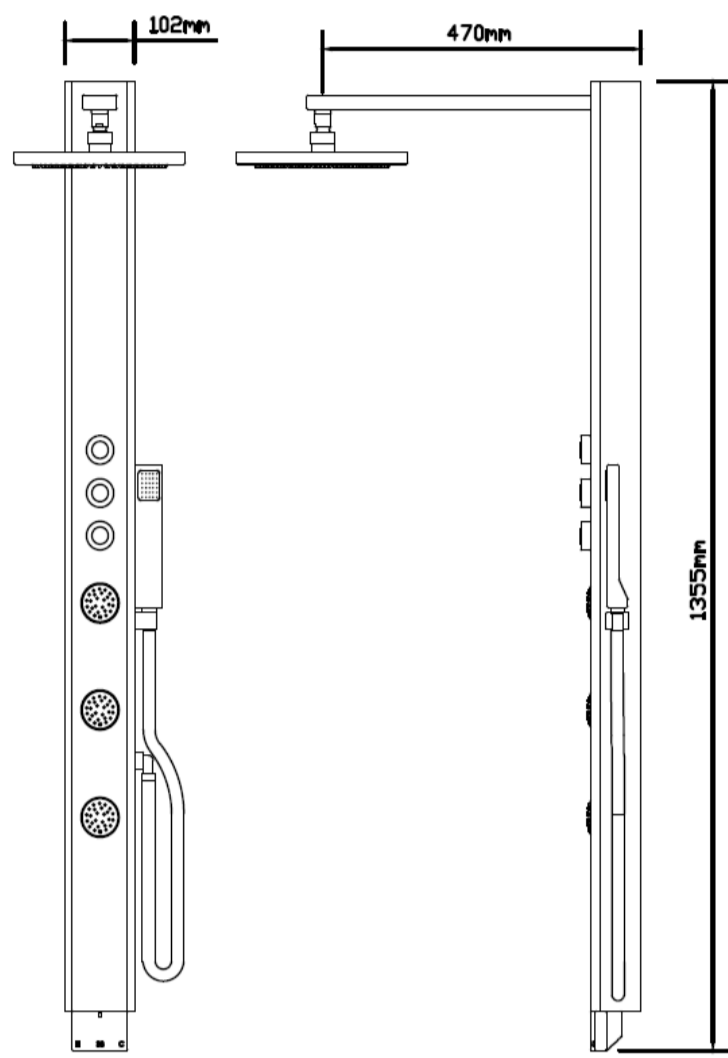
Please retain this manual after installation for future reference and maintenance.

Product must be installed in compliance with relevant Water Regulations and Byelaws

Dimensions

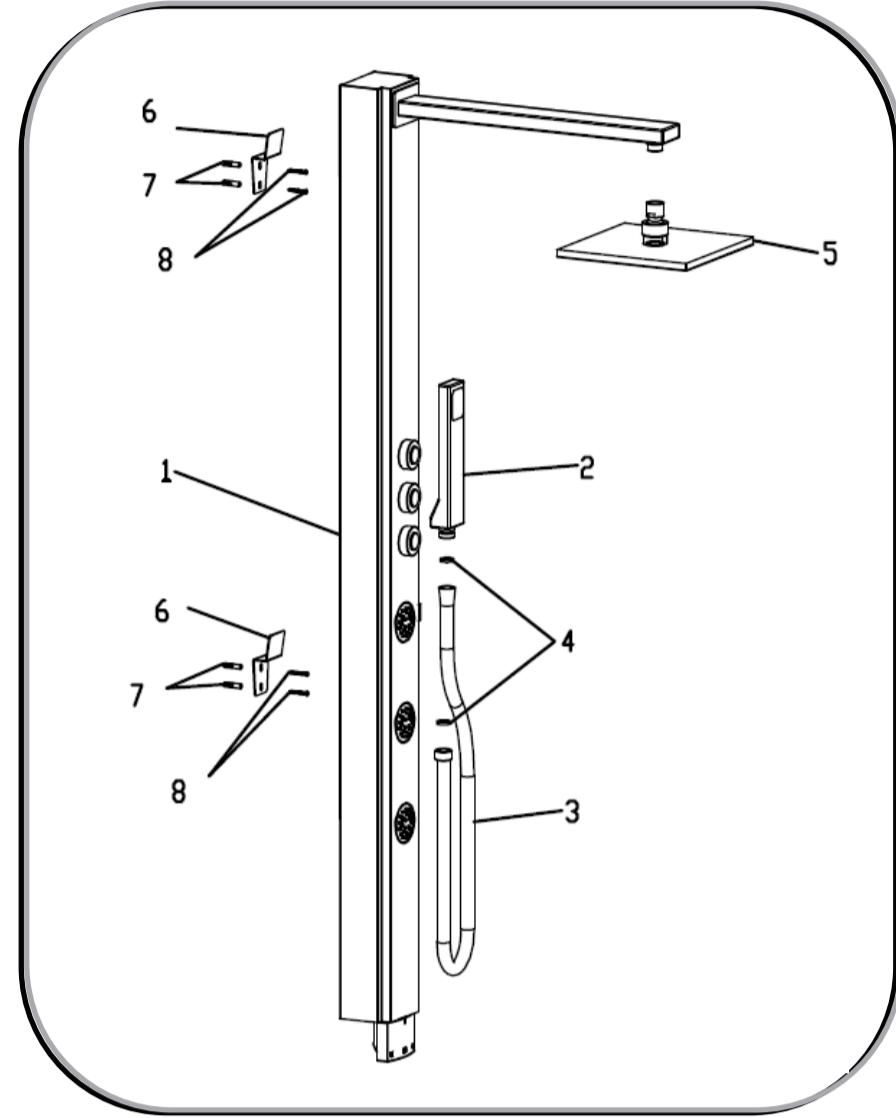
Important:

When setting the position of the panel, ensure that the flexi-tails are not installed in a way which will cause excessive bends or kinks



1

Parts



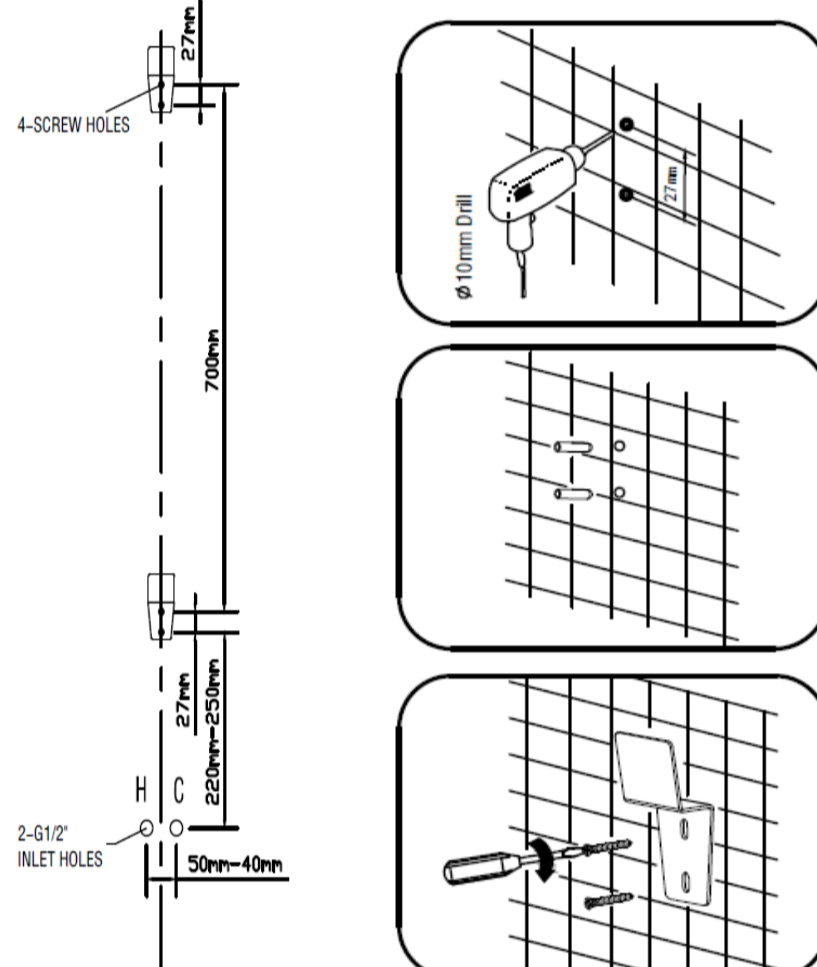
2

Installation

| Part No. | Description | Qty |
|----------|---------------------|-----|
| 1 | Shower panel | 1 |
| 2 | Handset | 1 |
| 3 | Shower hose | 1 |
| 4 | Rubber washer 18mm | 2 |
| 5 | Top Shower | 1 |
| 6 | Wall bracket | 2 |
| 7 | Wall plug | 4 |
| 8 | Wall screw ST4.5*48 | 4 |

3

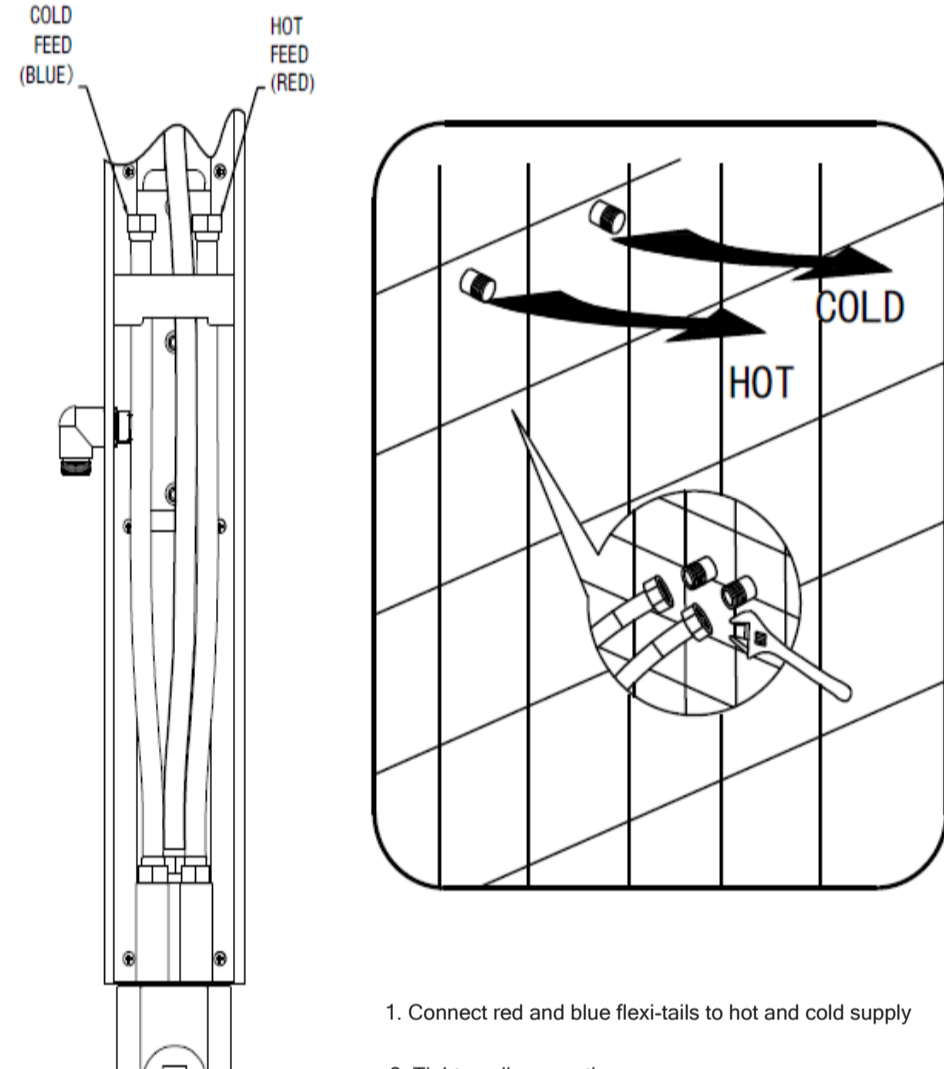
Installation



1. Prepare holes in the wall to secure the mounting brackets.
2. Ensure the bracket positions are vertically aligned.
3. Drill the holes and insert plugs, tap in the plugs to make them flush with the finished wall.
4. Offer the mounting bracket to the wall and secure using the screws provided.

4

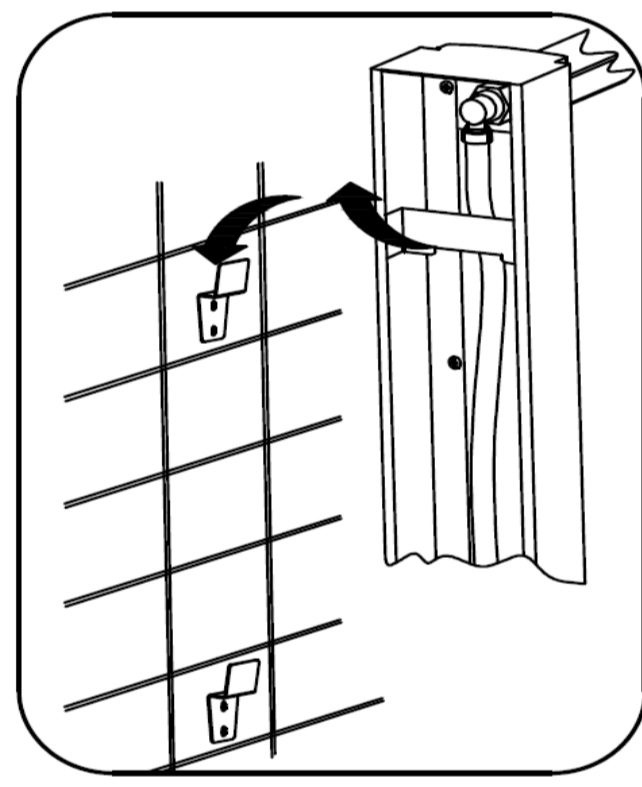
Installation



1. Connect red and blue flexi-tails to hot and cold supply
2. Tighten all connections

5

Installation



1. Once all of the pipe connections have been made and checked for leaks.
2. Hook the panel over the wall mounting brackets.
3. Align so that the panel hangs vertically.
4. The panel can be sealed around each edge if required.

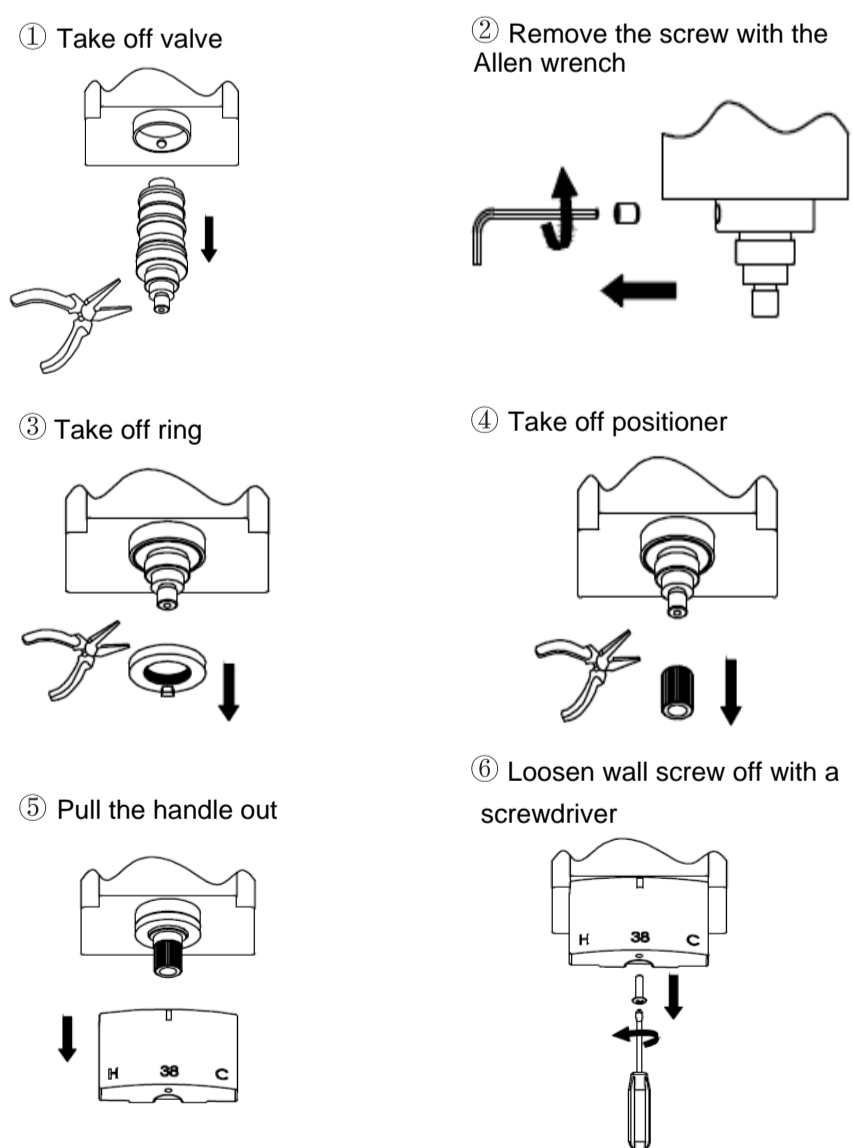
6



NOTE: PLEASE CARRY OUT THE FOLLOWING STEPS IF CLEANING /MAINTENANCE IS REQUIRED

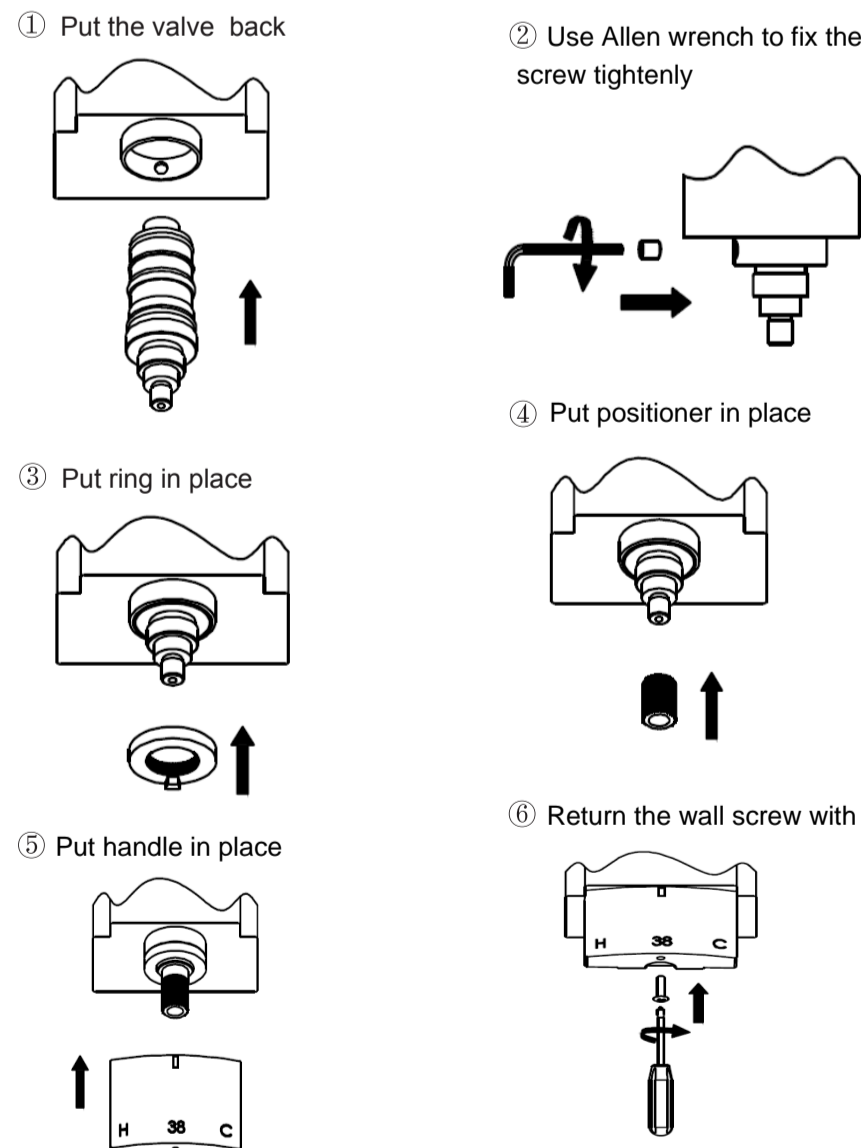
Thermostatic valve removal and installation

Removal process



7

Installation process



8

Guarantee

Not covered by the guarantee is:

- Breakdown due to -
 - a) Use other than domestic
 - b) Wilful act of neglect
 - c) Any malfunction resulting from incorrect use
 - d) Incorrect setting of controls
 - e) Any malfunction resulting from poor water quality
- Repair costs for damage caused by foreign objects or substances
- Total loss of the product due to non-availability of parts
- Compensation for loss of use of the product or consequential loss of any kind.
- Call out charges where no fault has been found with the product.

9

Not covered by the guarantee is:

- The cost of repair or replacement of pressure relief devices, spray heads, hoses, riser rails and/or wall bracket or any other accessories installed at the same time.
- The cost of routine maintenance, adjustments, overhaul, modifications, loss or damage, arising therefrom, including the cost of repairing damage, breakdown, malfunction caused by corrosion, furring, pipe scaling, lime scale, system debris or frost.

10