

## Product Specification

Minimum Pressure	1.0 Bar
Single function hand shower	
Rub clean hand shower	
Shower hose	1500mm
Thread for overhead	1/2"
Nut for mixer connection	3/4"
Adjustable rail height	785mm - 1250mm
Adjustable hand shower angle	

## Cleaning

The product should be cleaned using a soft damp cloth, no abrasive agents or materials must be used, or this will invalidate your guarantee.

Telephone  
**0844 484 7678**

## Round Riser Kit



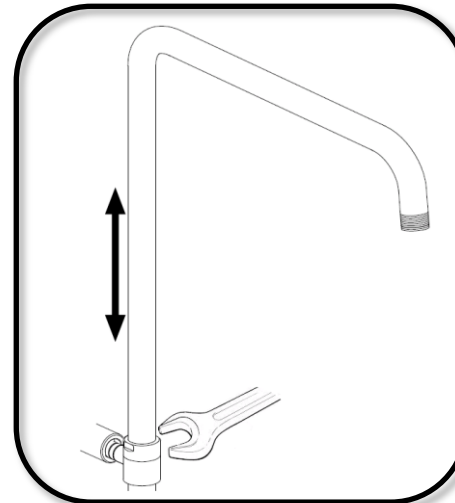
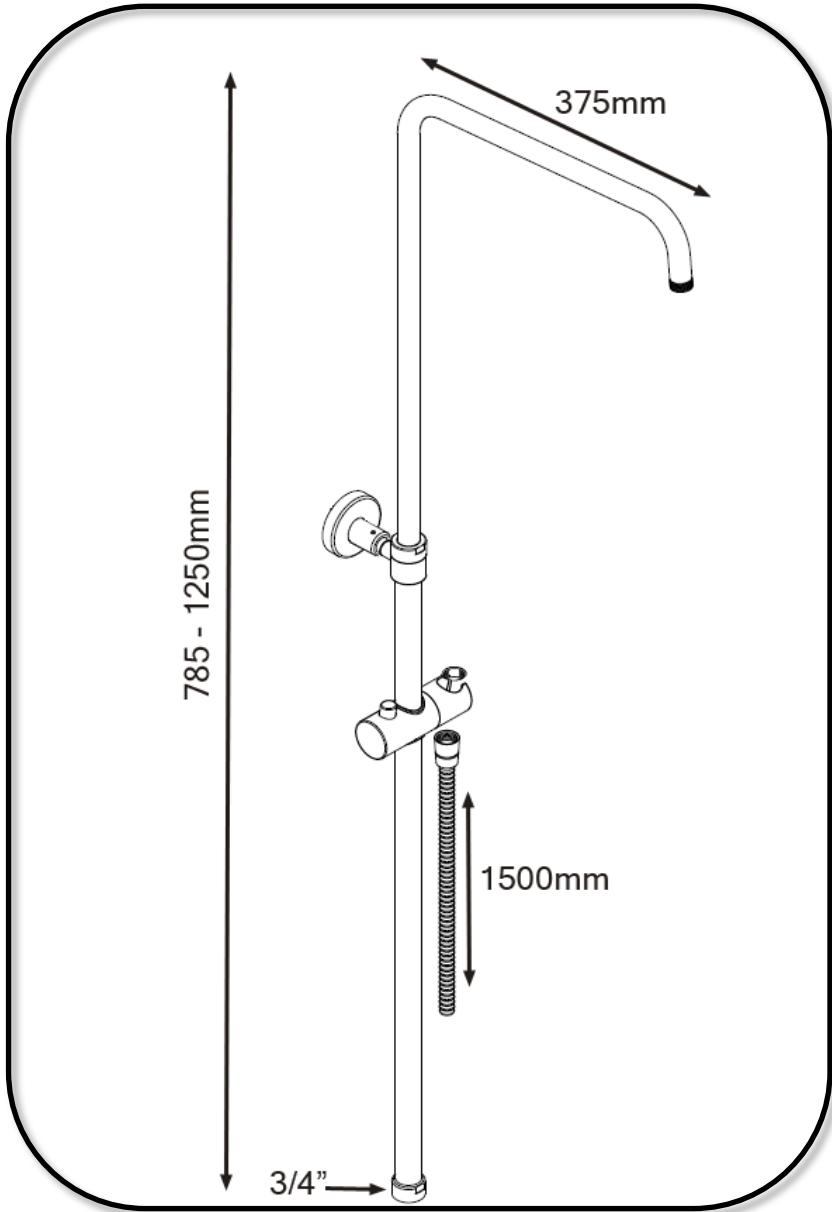
(Shower mixer and shower head not included with S1002A)

Please retain this manual after installation for future reference and maintenance.

**Product must be installed in compliance with relevant Water Regulations and Byelaws**

### **IMPORTANT**

Always check for wires and pipes prior to any drilling.  
Flush the system prior to installation

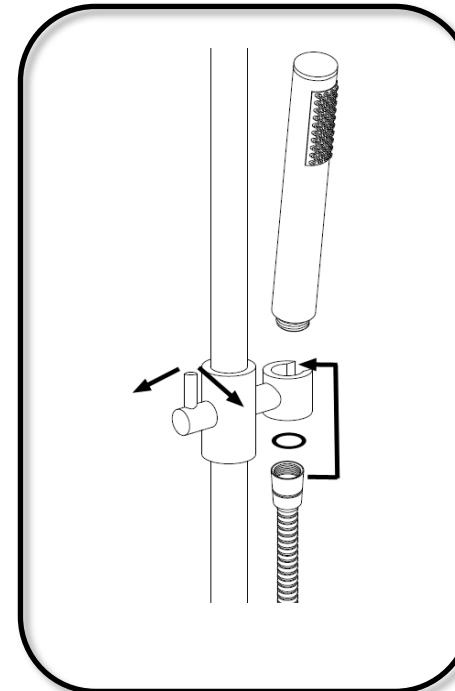


Your product has an adjustable riser top section.

To adjust this, loosen the nut just above the mounting bracket.

Then pull or push the rail, until at the required height.

Do not attempt to move the rail with the nut tightened, this may damage to seals.



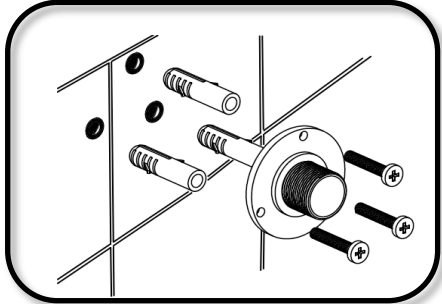
Insert the washers into each end of the shower hose.

Attach the cone end of the hose to the hand shower and insert the cone into the slider.

Attach the nut end of the hose to the mixer outlet.

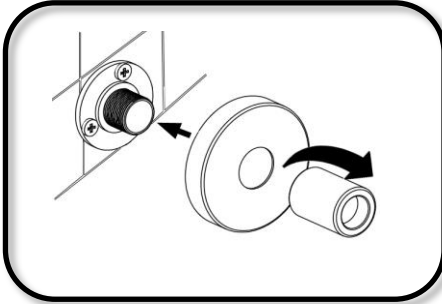
To move the slider on the rail, so adjusting the hand shower height, you must turn the slider lever to loosen, then slide on the rail.

Do not slide when tightened.

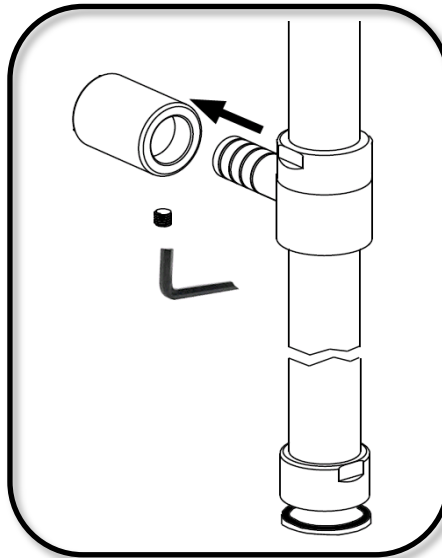


First install the shower mixer to be used, this will allow you set the height of the riser.  
(Adjustable height riser, fixed bracket position)

Offer the mounting bracket to the wall in the required location, mark drill holes, drill, insert plugs and secure the mounting bracket to the wall.



With the mounting bracket secure, place the trim plate over and screw the mounting bracket peg onto the mounting bracket thread.



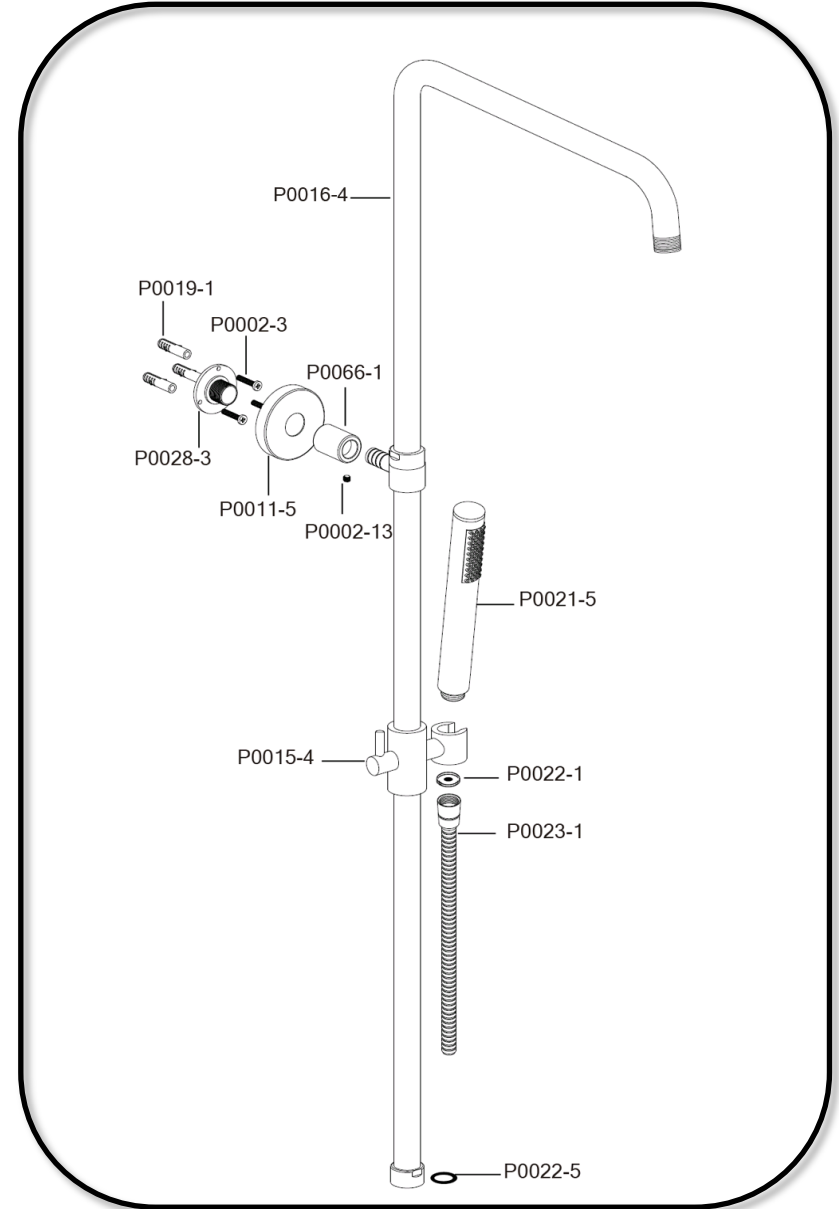
The grub screw in the peg should be loosened to allow the riser arm to be slotted inside.

Place the washer inside the nut on the rail.

Place the riser arm into the peg and fit the nut to the mixer.

Secure the arm into the peg by tightening the grub screw.

Tighten the nut to the mixer using a spanner.



# Guarantee

Your product comes with a 1 year guarantee when installed, used and cleaned in accordance with this manual.

## **Not covered by the guarantee is:**

- Breakdown due to -
  - a) Use other than domestic
  - b) Wilful act of neglect
  - c) Any malfunction resulting from incorrect use
  - d) Incorrect setting of controls
  - e) Any malfunction resulting from poor water quality
- Repair costs for damage caused by foreign objects or substances
- Total loss of the product due to non-availability of parts
- Compensation for loss of use of the product or consequential loss of any kind.
- Call out charges where no fault has been found with the product.

Your product comes with a 1 year guarantee when installed, used and cleaned in accordance with this manual.

## **Not covered by the guarantee is:**

- The cost of repair or replacement of pressure relief devices, spray heads, hoses, riser rails and/or wall bracket or any other accessories installed at the same time.
- The cost of routine maintenance, adjustments, overhaul, modifications, loss or damage, arising therefrom, including the cost of repairing damage, breakdown, malfunction caused by corrosion, furring, pipe scaling, lime scale, system debris or frost.







