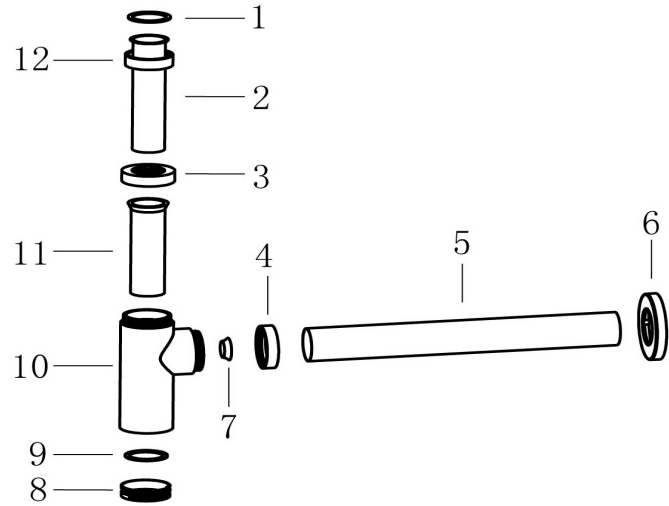


Parts



Contents

		Qty
1	Small seal	1
2	Chrome extension tube	1
3	Waste nut	1
4	Horizontal waste pipe nut	1
5	Horizontal waste pipe	1
6	Wall trim	1
7	Large cone seal	1
8	Access plug	1
9	Access plug seal	1
10	Bottle trap	1
11	Plastic extension tube	1
12	Bottle trap/extension nut	1

Code: 9902
1 1/4" Modern Bottle Trap

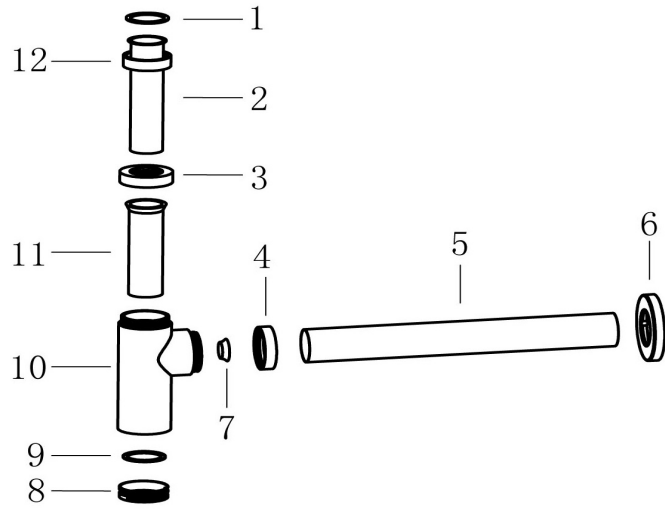


Please retain this manual after installation for future reference and maintenance.

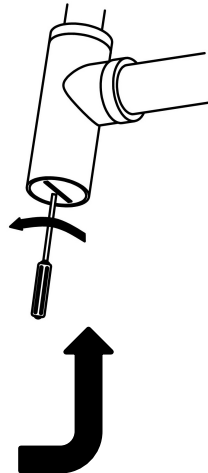
Product must be installed in compliance with relevant Water Bylaws

Telephone
0844 484 7678

Installation



Adjust height of tubes (2) and (11) to required height to meet basin waste and align with main waste pipe, then secure nut (3).
 Fit washer (1) into nut (12) and loosely fit to basin waste.
 Fit washer nut (4) over tube (5), then push washer (7) over tube (5).
 Push tube (5) into trap (10) and connect nut (4) and tighten.
 Place trim plate (6) over end of tube (5) and then connect tube (5) to main waste pipe (not supplied) and push trim (6) back to wall.
 Tighten nut (2) fully to basin waste.
 To clean, unscrew nut on underside, always re-fit seal.



Cleaning

The product should be cleaned using a soft damp cloth, no abrasive agents or materials must be used, or this will invalidate your guarantee.



Troubleshooter Guide

