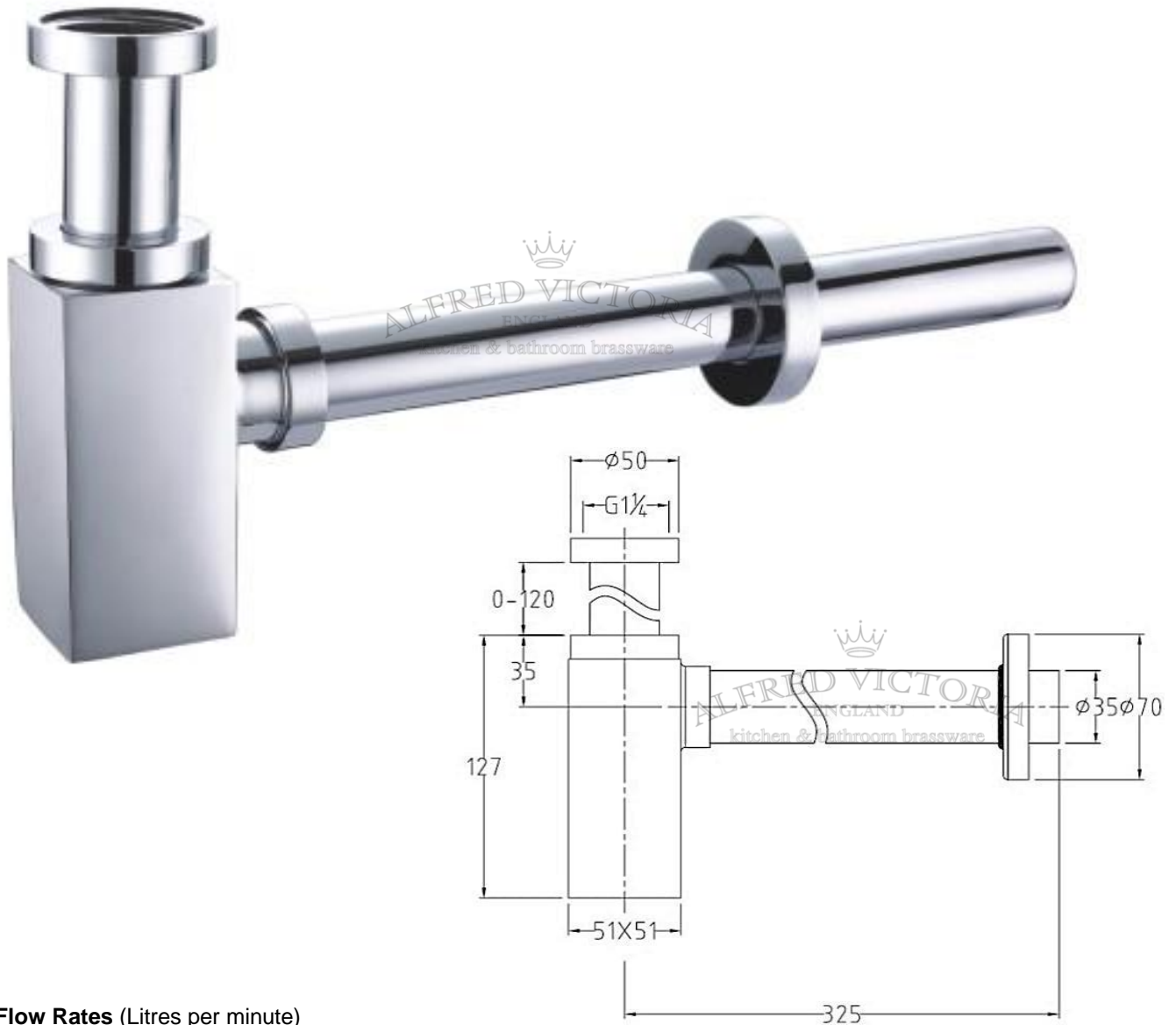


# TECHNICAL DATA SHEET

## BT03 Square Bottle Trap

<b>Barcode</b>	7081241687895
<b>Product Code</b>	BT03
<b>Construction</b>	Brass & Zinc Alloy
<b>Finishes</b>	Chrome plated to BS EN 248
<b>Product Type</b>	Contemporary
<b>Water Pressure</b>	Min. 0.2 bar, Max. 5.0 bar
<b>Plumbing Systems</b>	Suitable for all plumbing systems
<b>Standards</b>	-
<b>Certification</b>	Manufactured to comply with WRAS
<b>Cartridge</b>	-
<b>Fitting</b>	Ø35mm
<b>Packaging</b>	53 x 39 x 33.5cm / carton (24 boxes / carton)
<b>Guarantee</b>	1 years against manufacturing faults (excluding serviceable parts).



### Flow Rates (Litres per minute)

System Pressure	0.1 Bar	0.2 Bar	0.3 Bar	0.5 Bar	1.0 Bar	1.5 Bar	2.0 Bar	3.0 Bar	4.0 Bar	5.0 Bar
<b>BT03</b>	-	-	-	-	-	-	-	-	-	-

The information contained on this page was correct at date of issue. Fitting dimensions are provided as a guide only. Some variation may occur due to manufacturing tolerances. We pursue a policy of continuing improvement in design and performance of our products and so reserve the right to change specifications without prior notice.