

# Bath Foot Installation



If a part is missing or damaged, please call 01535 613 830.  
Please have your instruction guide ready.  
74TCI

06052015

## Before you start carefully read the instructions.

Failure to adhere to these instructions will invalidate the manufacturers guarantee and no responsibility will be accepted for any loss or damage.

**Please inspect this product immediately for damage, size and colour. Do not install this product if you are not satisfied, as no claims for consequential damage will be accepted.**

Check the pack and make sure all the components are included. When you are ready to start make sure you have the right tools to hand, plenty of space and a clean dry area for building. Don't rush, read the instructions first and run through them before you begin. Keep fittings together to avoid loss.

If you are unsure of any part of this instruction contact a reputable qualified trades person.

We recommend that you read the sealant packaging for the curing time. Do not use until the sealant is set.

## Product after care instructions

We recommend cleaning with a soft damp cloth and mild soap solution.

**Do Not** use cream cleaners or cleaners containing bleach.

**Do Not** scrub or scour.

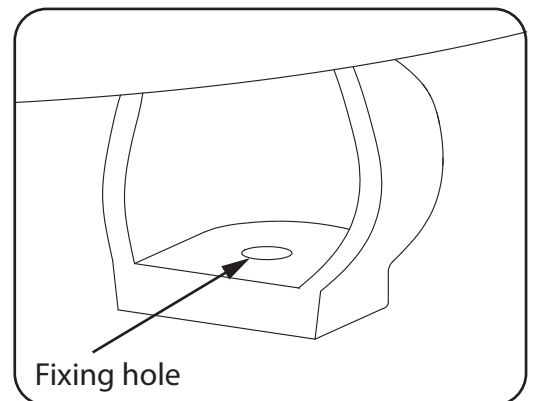
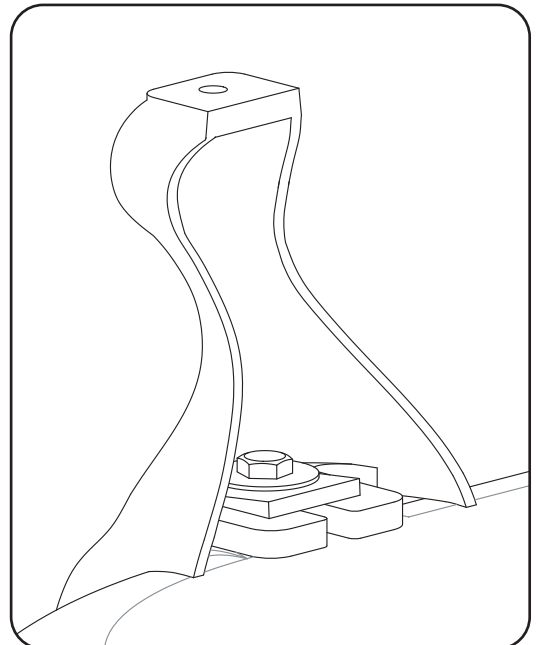
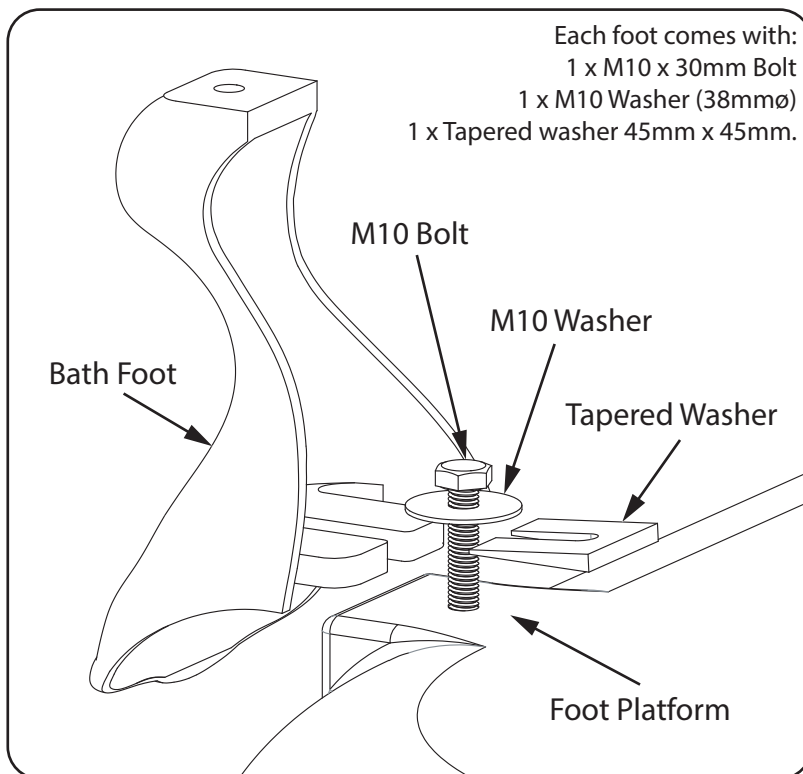
**Do Not** use abrasive cleaning agents.

**Do Not** use solvent based cleaners.

Using any or the above cleaning products will cause the surface to deteriorate and invalidate the guarantee.

**Do Not** allow pools of water to remain standing on the surfaces.

1. Turn the bath upside down, preferable on a drop cloth so not to cause scratching to the rim of the bath.
2. The bath is designed so that all four feet fit on any foot platform.
3. Place the washer onto the M10 Bolt.
4. Before placing the foot on the bath, it is advisable to place silicon sealant on the foot platform.
5. Partially screw the M10 Bolt into the foot platform leaving enough room to slot on the foot and tapered washer.
6. Slot the foot and the tapered washer onto the bolt, as pictured bellow.
7. Secure the bolt using a spanner until tight, be careful not to over tighten bolts. Make sure the foot it tight to the bath. Apply all four feet to the bath. Leave the silicone to set before turning the bath over.



## As the bath is free standing it is advised that it is secured to the floor.

1. With the feet attached place the bath in the required position and mark out on the floor the fixing hole positions.
2. Move the bath out of the way and using the marked out positions drill using a suitable drill bit.
3. If the bath is found to wobble due to an uneven floor, a washer can be placed between the base of the foot and the floor to level out the bath.
4. Secure the bath to the floor using fixings and washers (not supplied). It is important that this is done using fixings suitable for the floor you are securing the bath to.

