

Cleaning

*** All chrome surfaces should be cleaned using a clean damp cloth.

*** No abrasive cleaning agents or materials should be used.

*** No chemical cleaners can be used on the glass use only mild soapy water

This instruction will cover installation of the following units

Codes:

7438	7439	7440	7441
11084	11093	11096	11098

Adjustment:

7438:	1160 - 1180mm	right hand
7439:	1360 - 1380mm	right hand
7440:	1560 - 1580mm	right hand
7441:	1660 - 1680mm	right hand
11084:	1160 - 1180mm	left hand
11098:	1360 - 1380mm	left hand
11096:	1560 - 1580mm	left hand
11093:	1660 - 1680mm	left hand

Trinity Premium Sliding Door Instructions



*** Image for installation purpose only

Please retain this manual after installation for future reference and maintenance

Product must be installed in compliance with relevant Water Bylaws

Importance

- *** Handle with care, impact can damage both the glass and frame
- *** Check for pipes and wires prior to installation
- *** Use of safety equipment is advised
- *** Two people may be required for part of the installation
- *** If installing on a tray, follow correct method of installation by installing the tray and tile down onto this.

Telephone

0333 777 4777

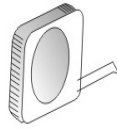
TOOLS REQUIRED (not supplied)



Spirit Level



Wrench



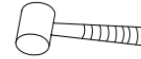
Tape



Marking Pencil



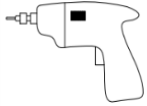
Silicone Gun



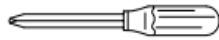
Hammer



Drill Bit
Ø6



Drill

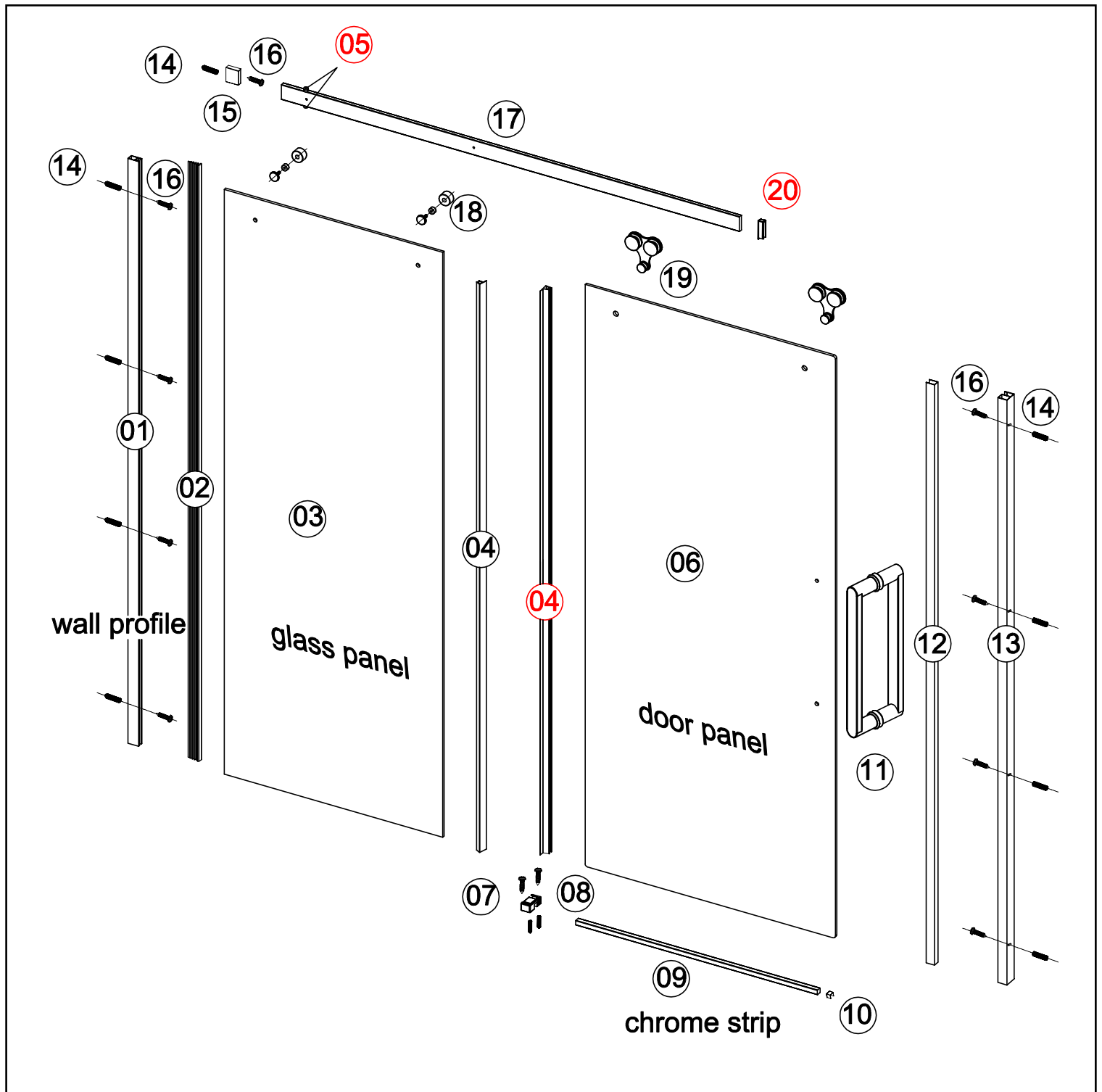


Screwdriver

Parts List

Item	Description	Qty		
01	Wall profile	1		
02	Strip	1		
03	Fixed panel	1		
04	Fixed panel seal	1	1855mm	
04	Door panel seal	1	1875mm	
05	Stopper	2		
06	Door panel	1		
07	Screw ST4*16	2		
08	Glass clip	1	1 left or 1 right	
09	Chrome strip	1		
10	Small filler	1		
11	Handle	1 pair		
12	U shaped seal	1	Square U type	
13	Door profile	1		
14	Plug	11		
15	Metal fixture	1 set		
16	Screw ST4*25	9		
17	Rail	1		
18	Fixing kit	2 sets		
19	Rollers	2		
20	Large filler	1		

Parts Drawing



Part 17- Top rail length

1200 enclosure - 1145mm

1400 enclosure - 1345mm

1600 enclosure - 1545mm

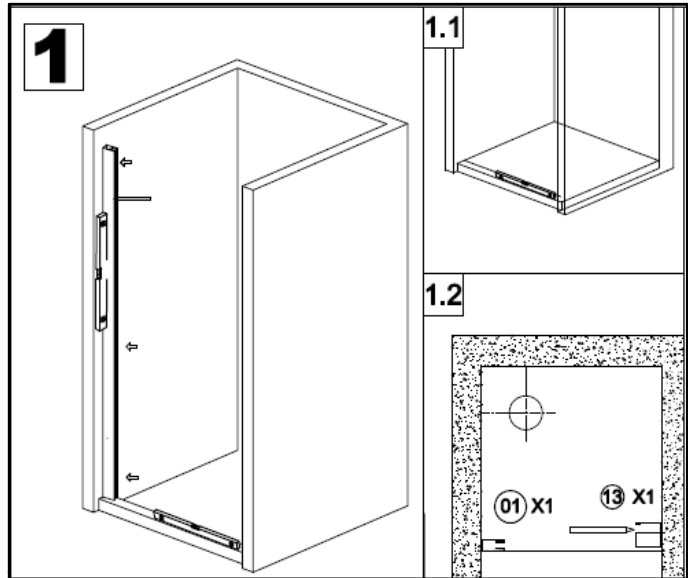
1700 enclosure - 1645mm

Installation Guide

Step 1

Place the fixed panel wall profile 5mm in from the front edge of the tray and door profile 25mm in from the front edge of the tray, using a spirit level to ensure the profiles are vertical

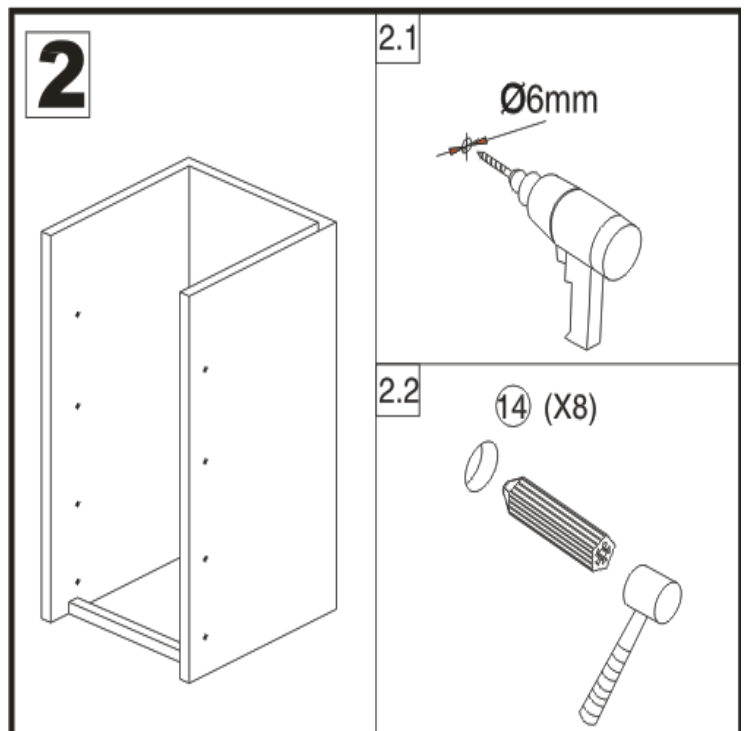
Mark the drill holes through the inside of the wall profiles, carry out the same for door profile



Step 2

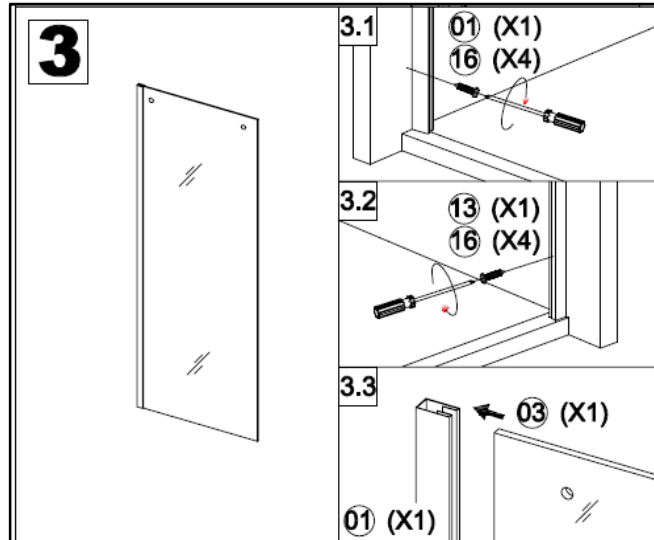
2.1 Once the holes are marked on the wall, remove the wall profile and drill the holes using $\Phi 6\text{mm}$ drill bit

2.2 Place the plugs (14) and insert them into wall



Step 3

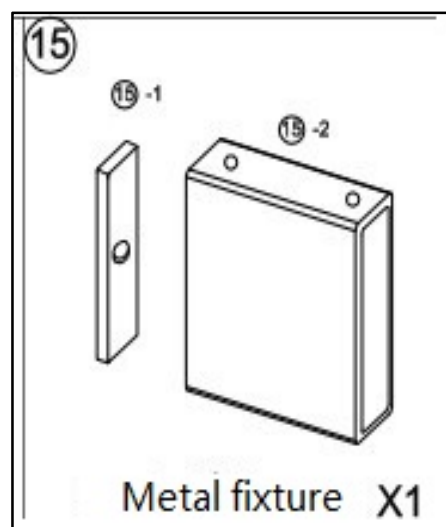
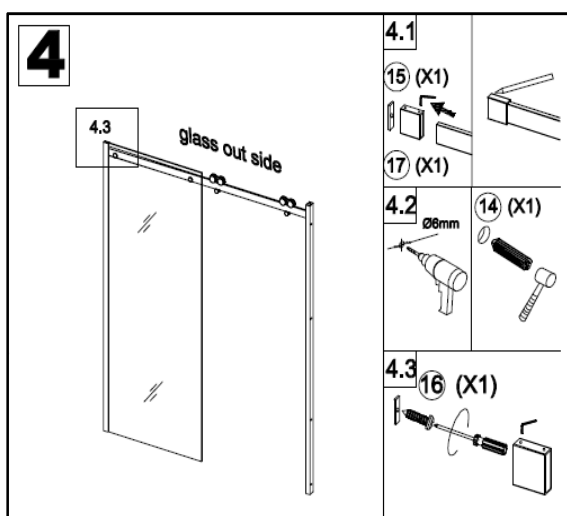
- 3.1 Place the wall profile(01) onto the wall and using screwdriver to fix the screws (16)
- 3.2 Place the door profile(13) onto the wall and using screwdriver to fix the screws (16)
- 3.3 Push the fixed glass panel (03) into the wall profile



Step 4

Place the rail (17) on the fixed glass panel (03) and line up the holes both on the panel and rail

- 4.1 Mark around the metal fixture (15) and remove the rail, remark the hole position through the metal fixture to the wall
- 4.2 Drill the hole and fix the plug (14) into the wall
- 4.3 Fix the wall plate (15-1) using screw (16); put the metal fixture (15-2) to cover the wall plate
Fix the fixture (15-2) to the wall plate (15-1) from the top through the hole next to the wall plate



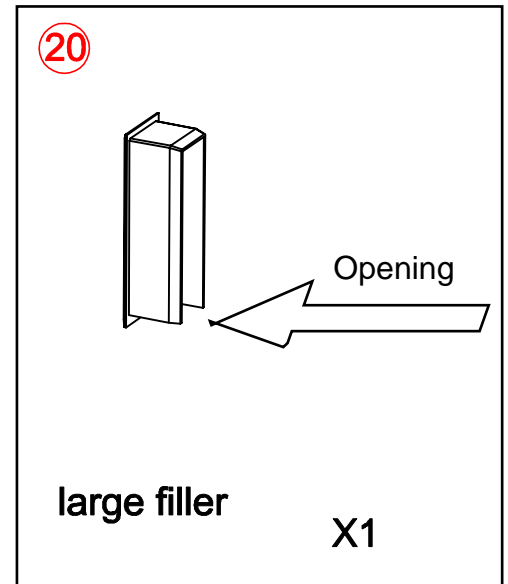
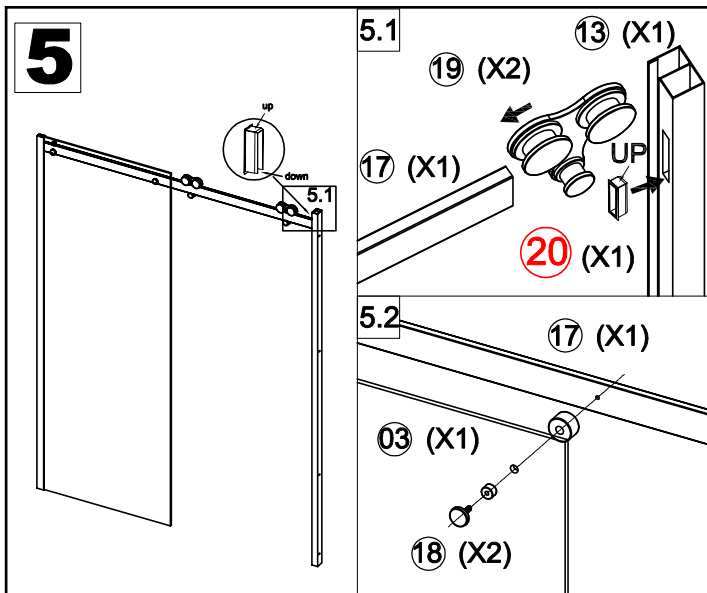
Step 5

Insert the rail (17) into the fixture (15-2), line up the holes on the rails and fixed glass panels

5.1 Put the two rollers (19) into the rail, position the large filler (20) into the door profile (13)

*** When installing the filler, ensure the opening is located at the bottom

5.2 Position the fixing kit (18) and fix the rail (17) to the fixed panel (03), not too tight at this moment



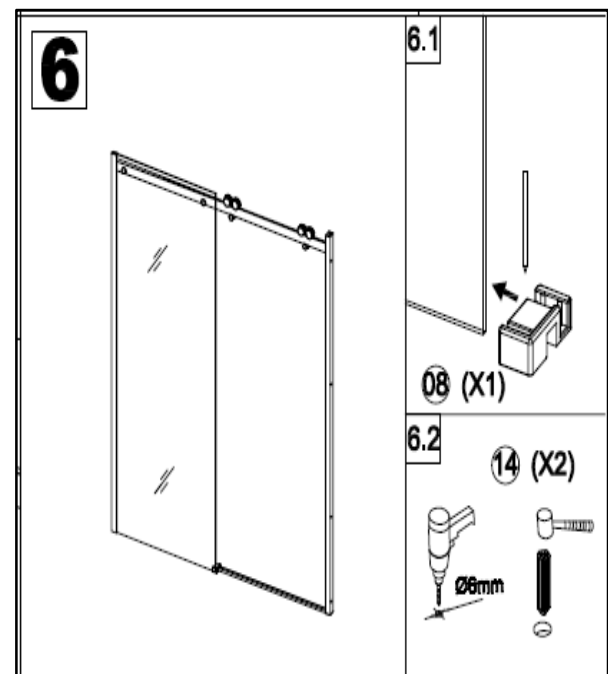
Step 6

6.1 Place the glass clip(08) to fit fixed panel (03)
mark the hole position through the top
of glass clip

6.2 Remove the glass clip, drill a hole using
 $\Phi 6\text{mm}$ bit; Once hole is drilled apply a small
amount of silicone into the hole

*** plug(14) is not applied if install on a tray

*** plug(14) is necessary to install directly on floor



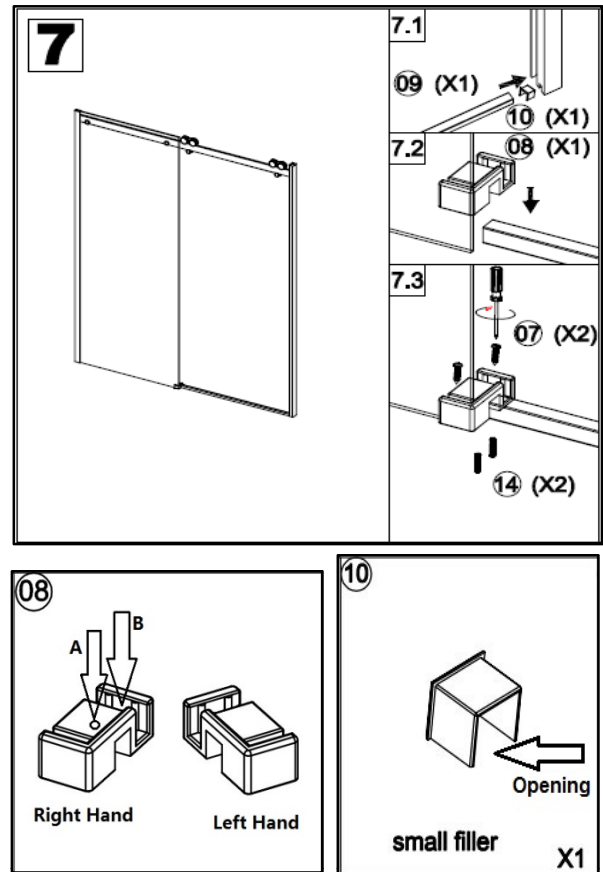
Step 7

7.1 Insert the small filler (10) into the door profile (13); then position the chrome strip(09) into the filler corner profile

*** When installing the filler, ensure the opening is located at the bottom

7.2 Place the glass clip(08) to the fixed panel(03), then move it down and ensure the chrome strip (09) to be positioned correctly to the glass clip

7.3 Fasten the clip by screwdriver with ST4*16(07) from the top of the clip(A)



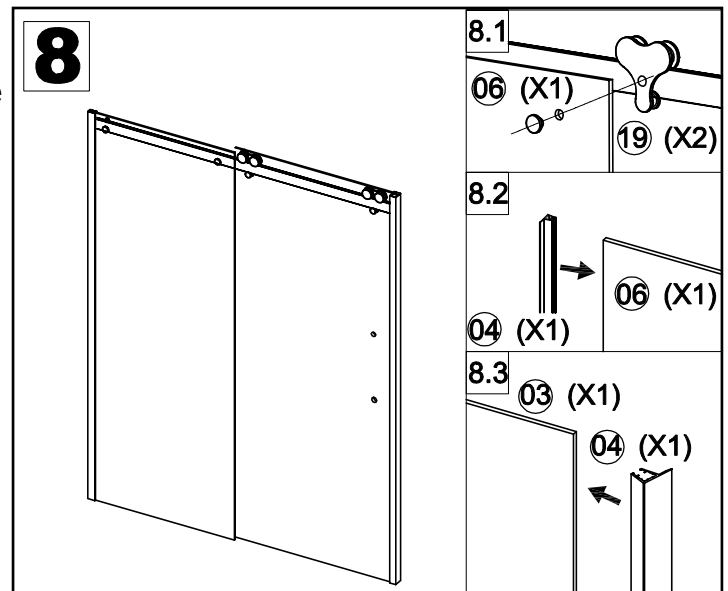
Step 8

8.1 Place the door panel up to rail(17) and ensure the bottom of door panel sit on the glass clip (08); then fasten the rollers(19) to the rail

*** Back to 5.2 and tighten the fixing kit

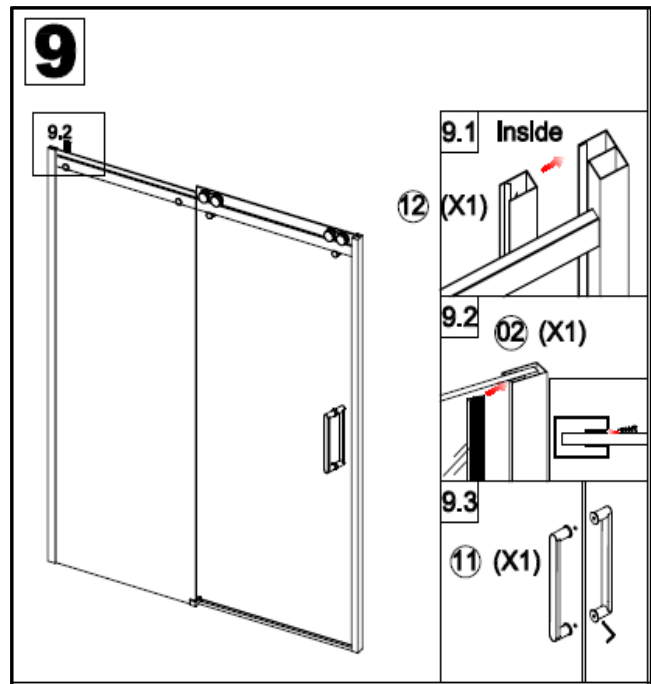
8.2 Push the door panel seal(04) to door panel

8.3 Push the fixed panel seal(04) to fixed panel and ensure the lip is toward inside



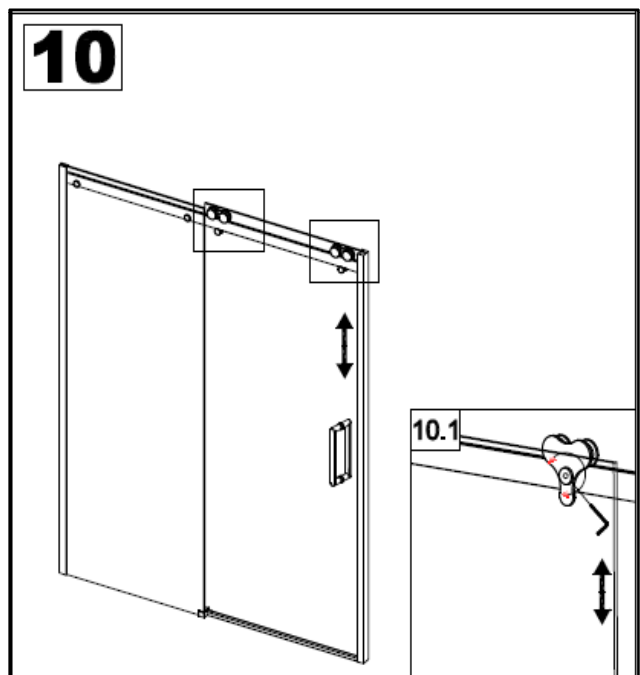
Step 9

- 9.1 Insert the seal(12) into the door profile
- 9.2 Push the seal(02) into the fixed panel(01)
- 9.3 Fasten the handles(11) to the door panel



Step 10

- Using a spirit level to check whether the door panel is installed level;
- If not, please use a proper Allen Key(supplied) to adjust the roller to ensure the door panel is level



Step 11

Apply silicone along the bottom outer edge of the frame

*** Do not apply silicone from inside

*** Do not use the enclosure for at least 24hours to let the silicone fully cure

