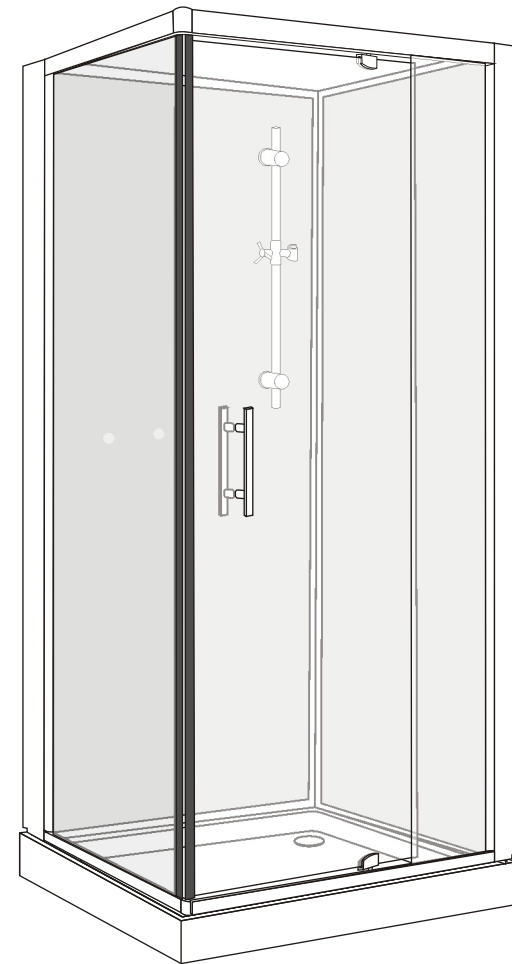


Installation instructions

S-8453-2



SIZE:80x80x205CM

SIZE:120x80x205CM

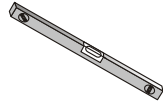


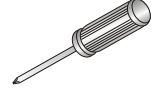



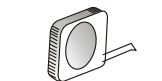
Important Reminder

1. Please install the shower enclosure according to the instruction strictly, otherwise, it will affect the operational performance.
2. After opening the carton, please check the parts according to the part list.
3. Please handle the glass parts carefully, don't knock on the glass to avoid damage.
4. After installation completely, please use it after 24 hours.

Notice

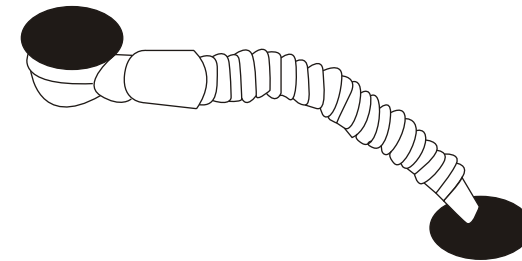
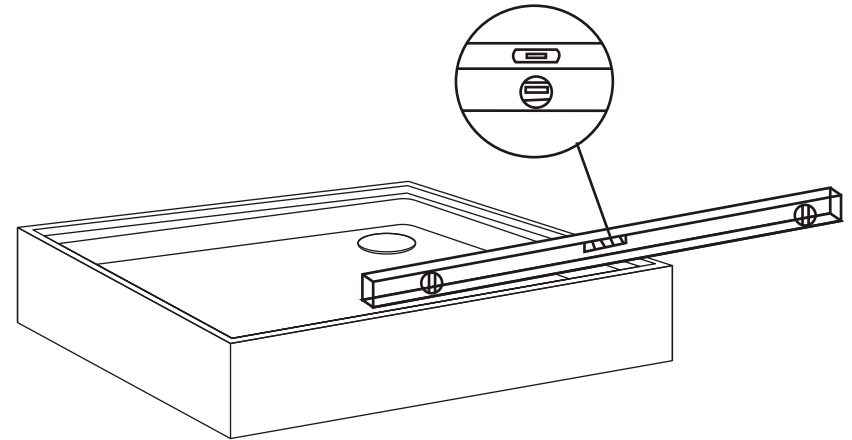
1. Do not let children, old people or disabled people enter the room alone.
2. Do not climb or hang heavy things on the shower enclosure.
3. Do not knock and impact the glass with heavy things.
4. Caution slippery on the inside of the shower enclosure.
5. Ordinary liquid detergent should be used with a soft cloth for cleaning.
6. Apply silicone to prevent water leakage.
7. Keep the tray clean, avoid hair and sundries to jam the drain.

Tools:

| | | | |
|---|---|--|---|
|  horizontal ruler |  driller |  Drill beat head |  cross screw driver |
|  silicon gun |  Hexagon ring spanner |  wrench |  Tape measure |

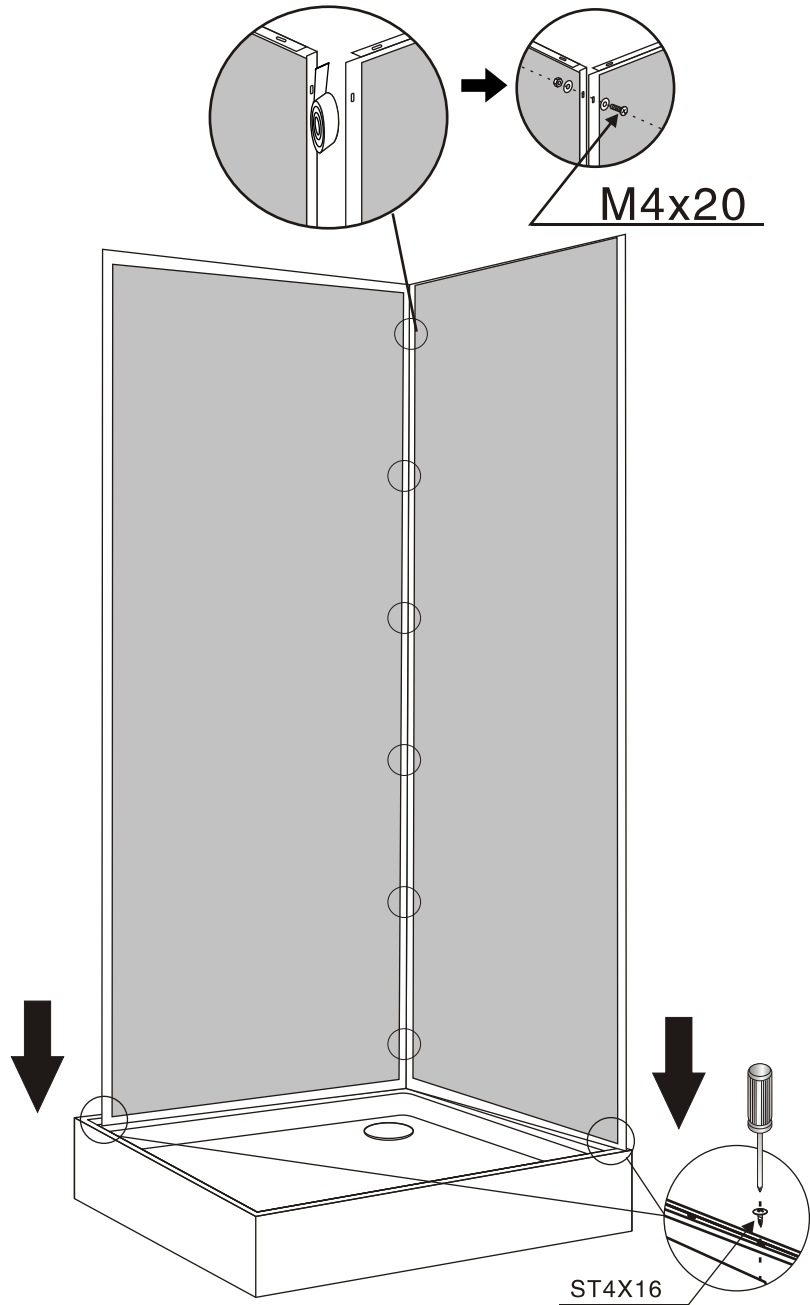
STEP1:

Tray assembling



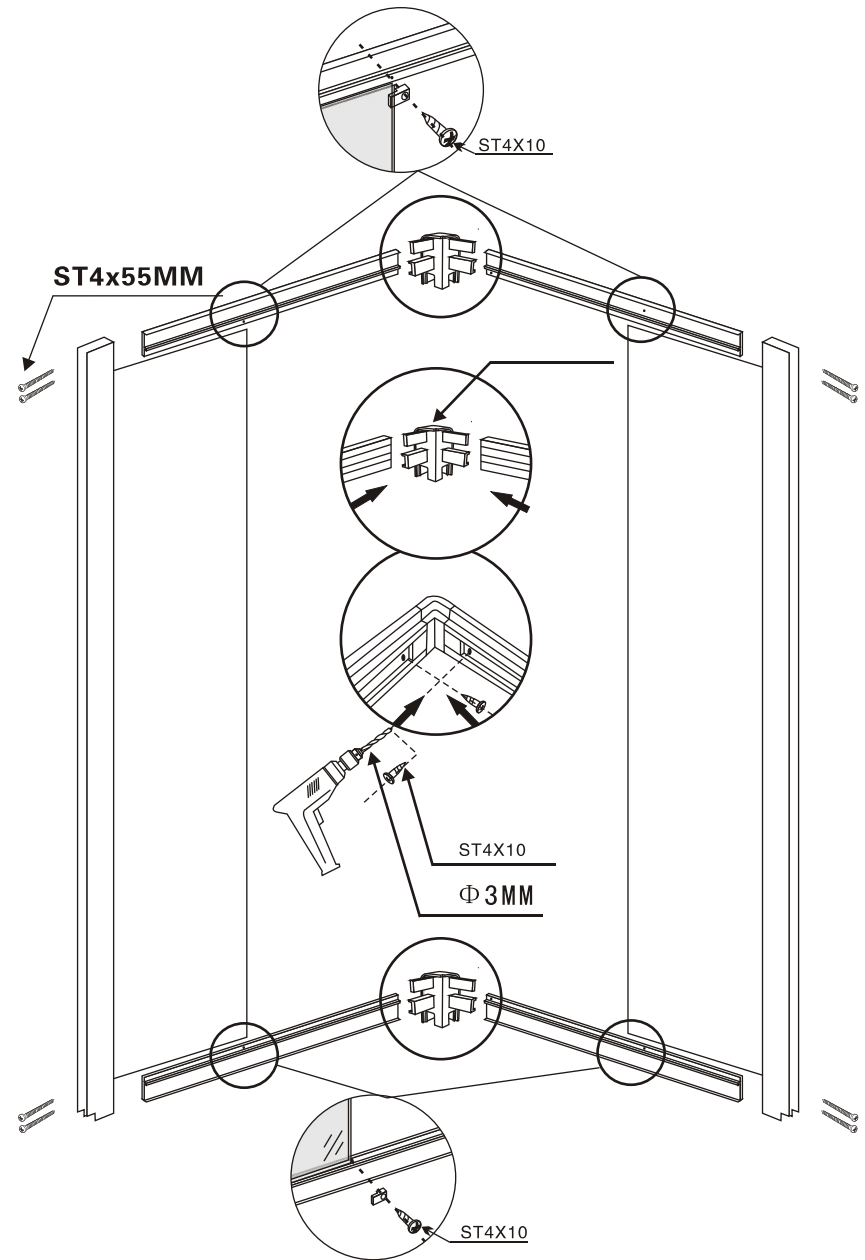
Disassemble the skirt and uplift the rear part of the basin, then insert one end of the pipe into the drainage hole.

STEP2:



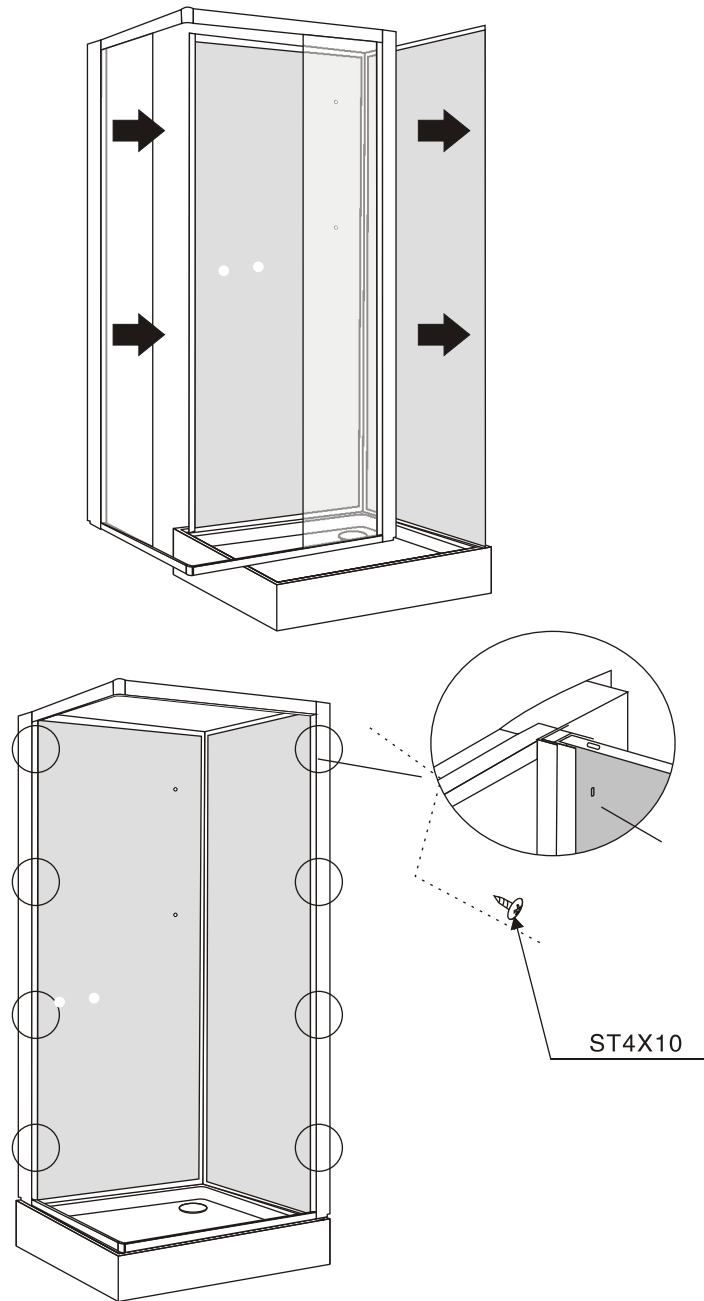
3

STEP3:

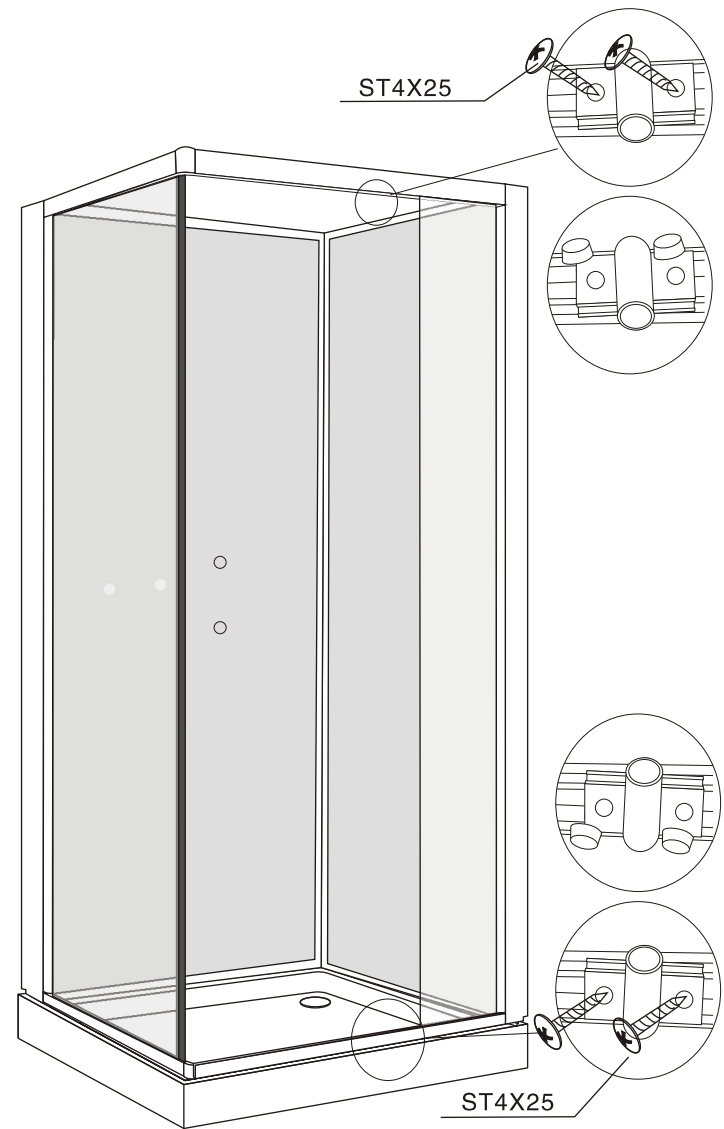


4

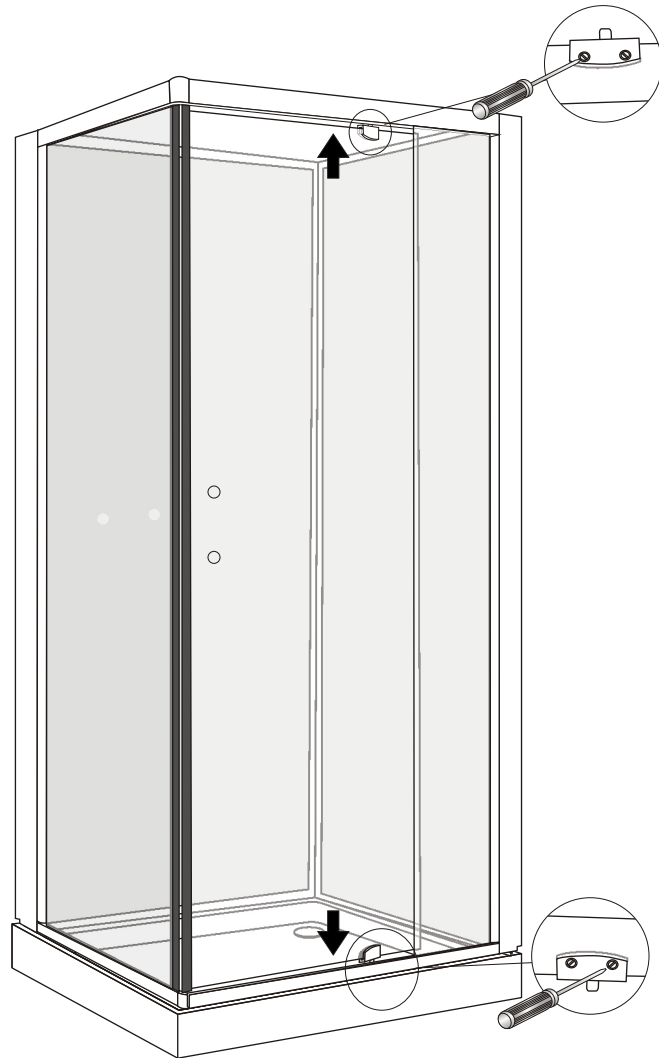
STEP4:



STEP5:

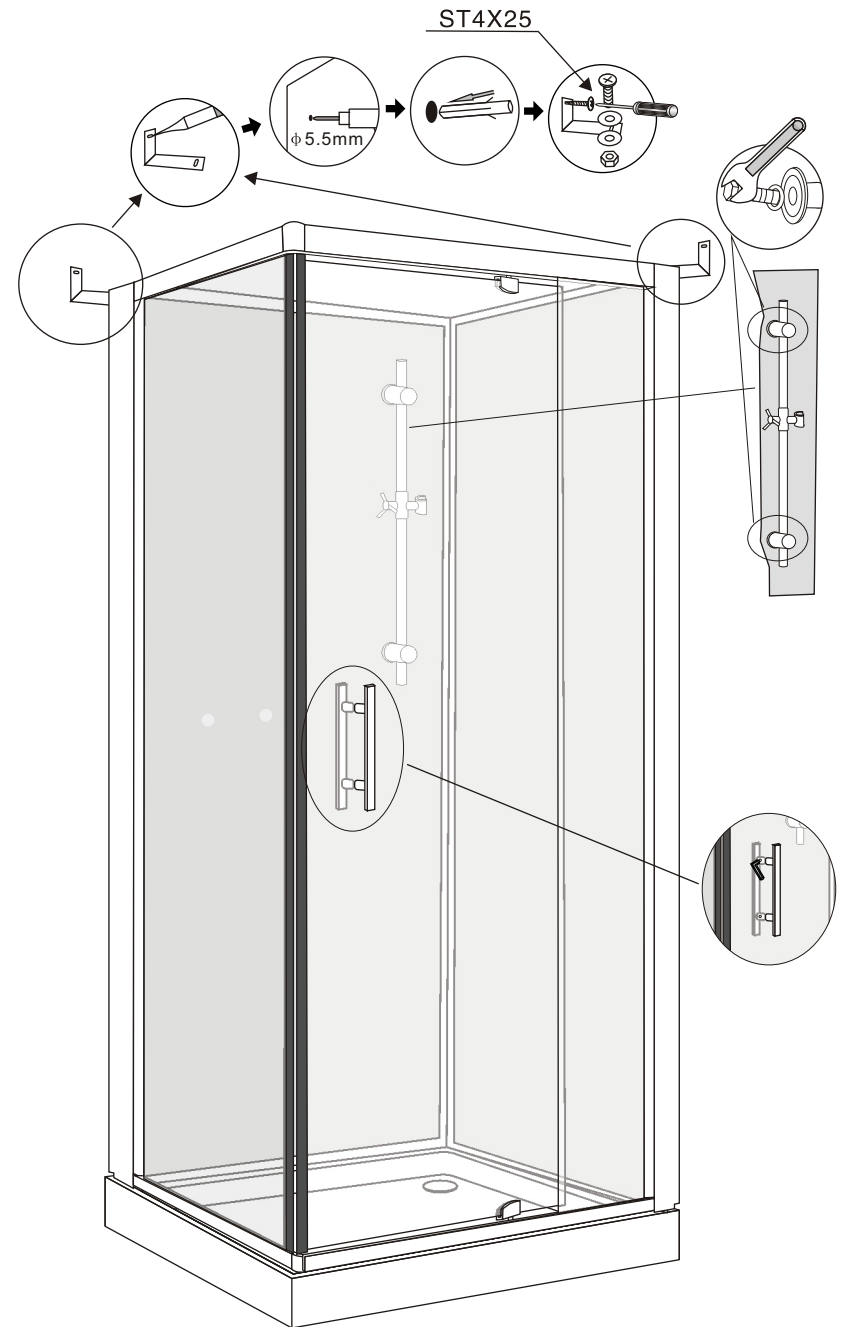


STEP6:



7

STEP7:



8