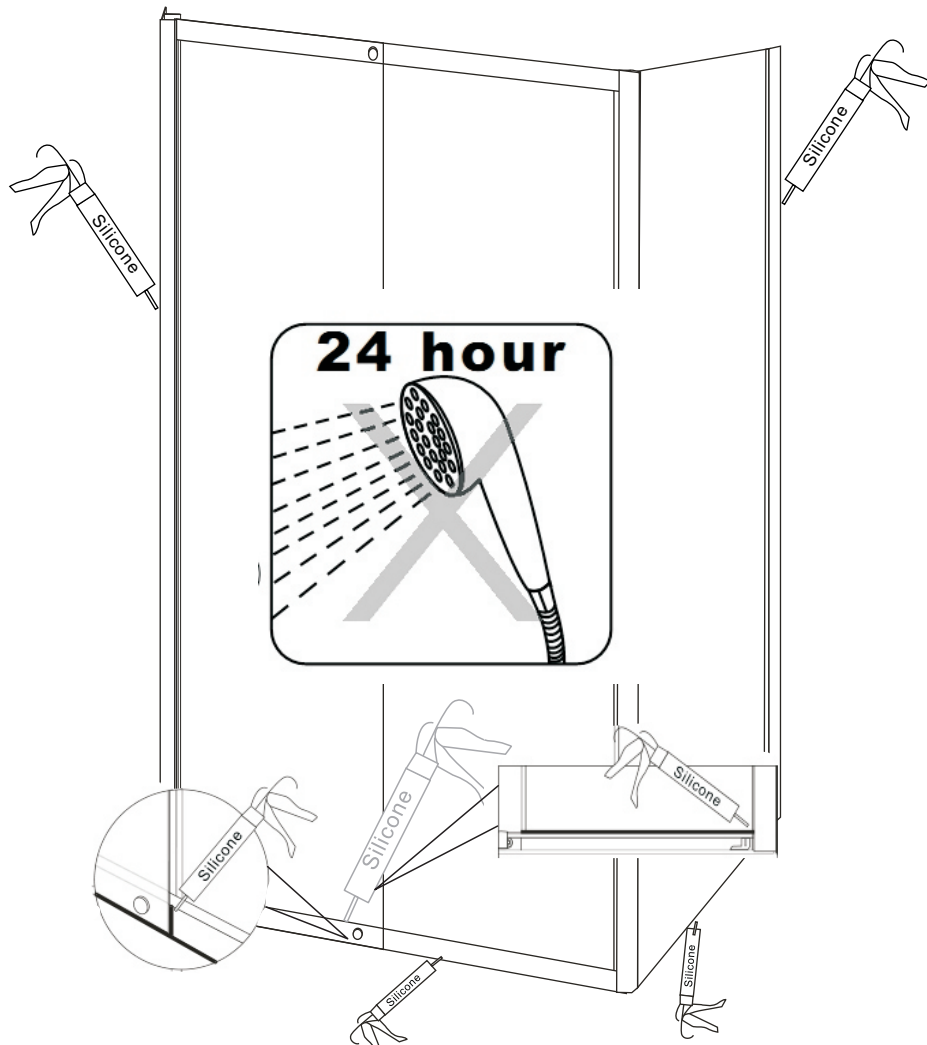


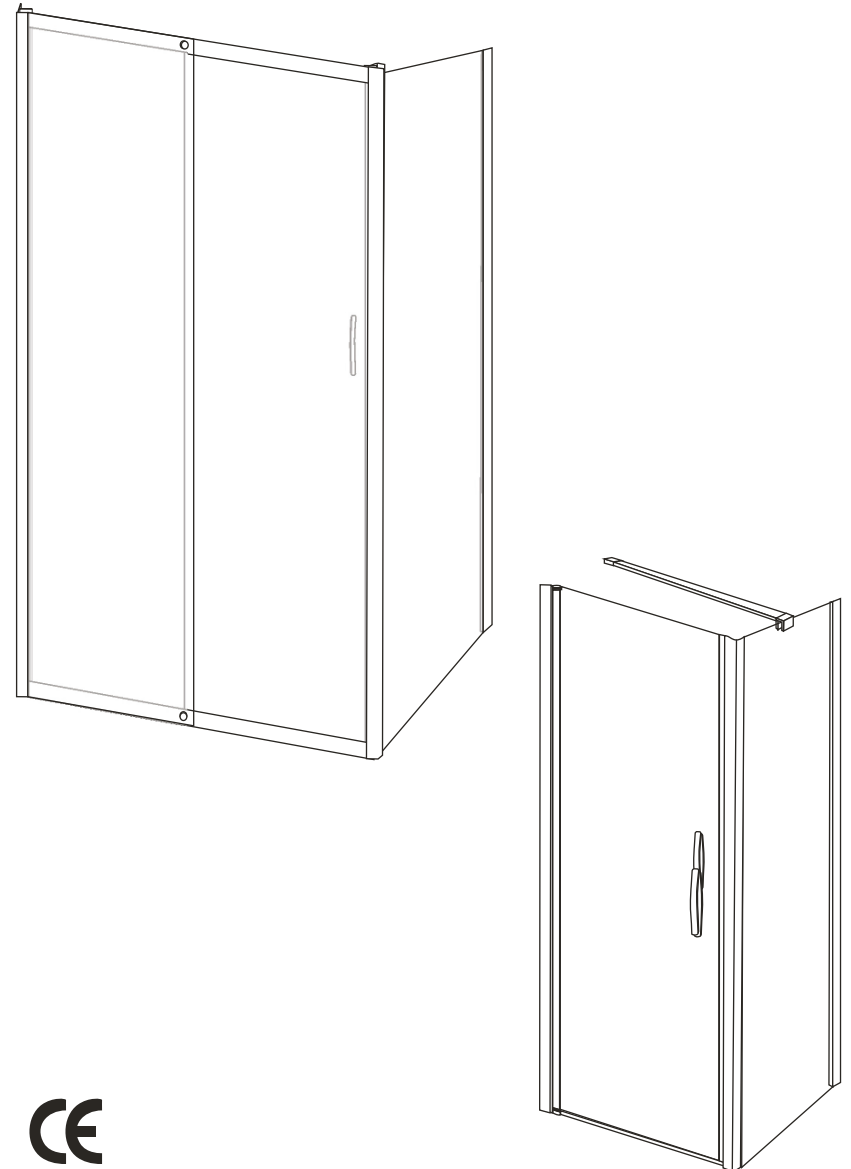
STEP3:



-Apply silicone sealant to all joints between wall profile, fixed glass panel, bottom aluminium alloy rail.

-Do not use the enclosure for 24 hours, to allow the silicone to dry completely. Apply silicone sealant to all joints between fixed glass panel, bottom aluminium alloy rail and tray.

Installation Operation Manual **SG07-SP**



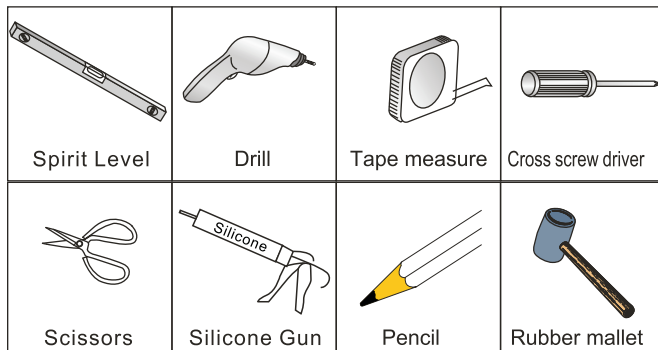
Important Reminder

1. Please install the shower enclosure according to the instruction , otherwise, it will affect the operational performance.
2. After opening the carton, please check the parts according to the part list.
3. Please handle the glass parts carefully and avoid impact
4. After installation , do not use for 24hours.



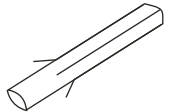


Notice

1. Do not climb or hang heavy things on the shower enclosure.
2. Do not knock and impact the glass.
3. Caution slippery on the inside of the shower enclosure.
4. Ordinary liquid detergent should be used with a soft cloth for cleaning.
5. Apply silicone to prevent water leakage.
6. Keep the tray clean, remove hair and debris to prevent blockages

Tools:

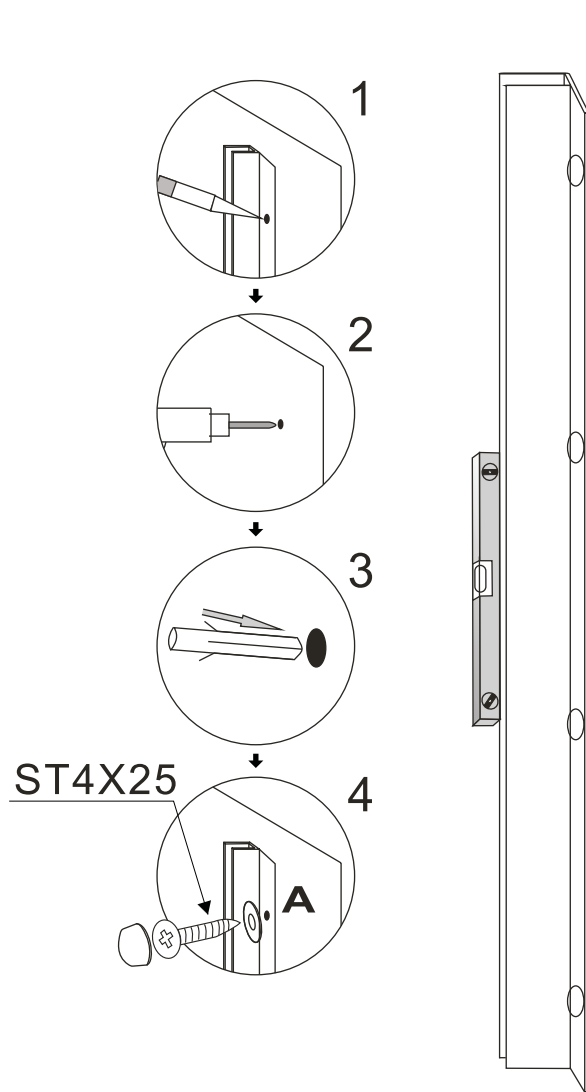


Part list

 A ST4X25 X4	 B Screws ST4X12 X4	 C Wall plug X4
 D Drill bit 3mm X1	 E Side panel X1	

Plugs and drill bit are supplied, these are suitable for masonry and so a suitable bit and plug should be used or your wall type

STEP1: Wall profiles assembling



Point 1 and 4: the screws should be fitted to the inside

Place the wall channels against the wall and using a spirit level ensure these are vertical.

Position the wall channels with the lip on the inside, to be screwed to the wall.

Mark the drill holes through the wall channel.

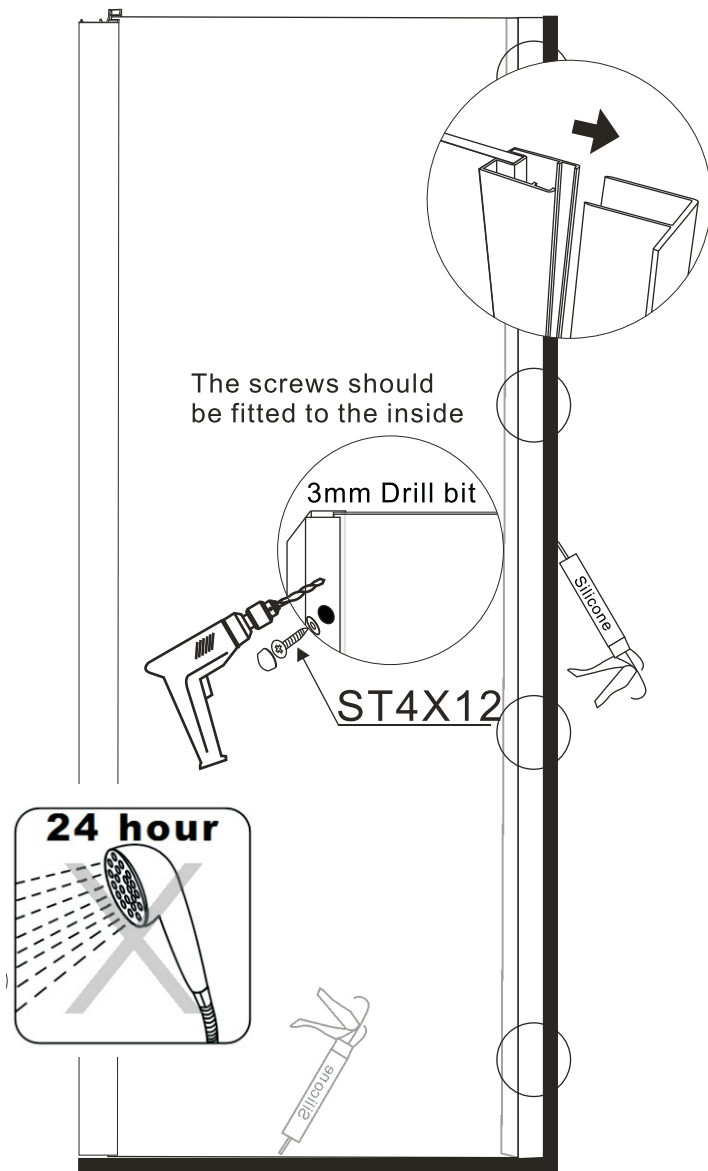
Drill holes using a suitable drill bit for your wall type. Insert wall plugs and tap in until flush with the finished wall.

Sealant can be applied between the wall channel and wall.

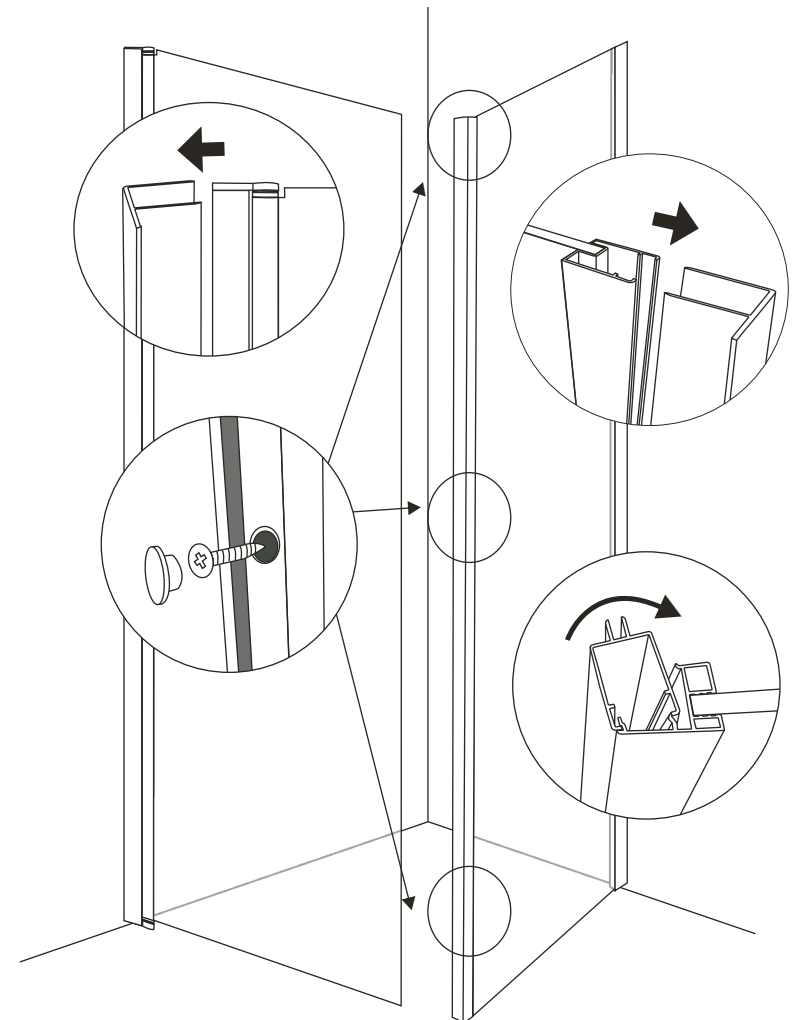
Place the wall channels against the wall and secure into position using screws and washers.

Push on the chrome screw cap covers.

STEP2:

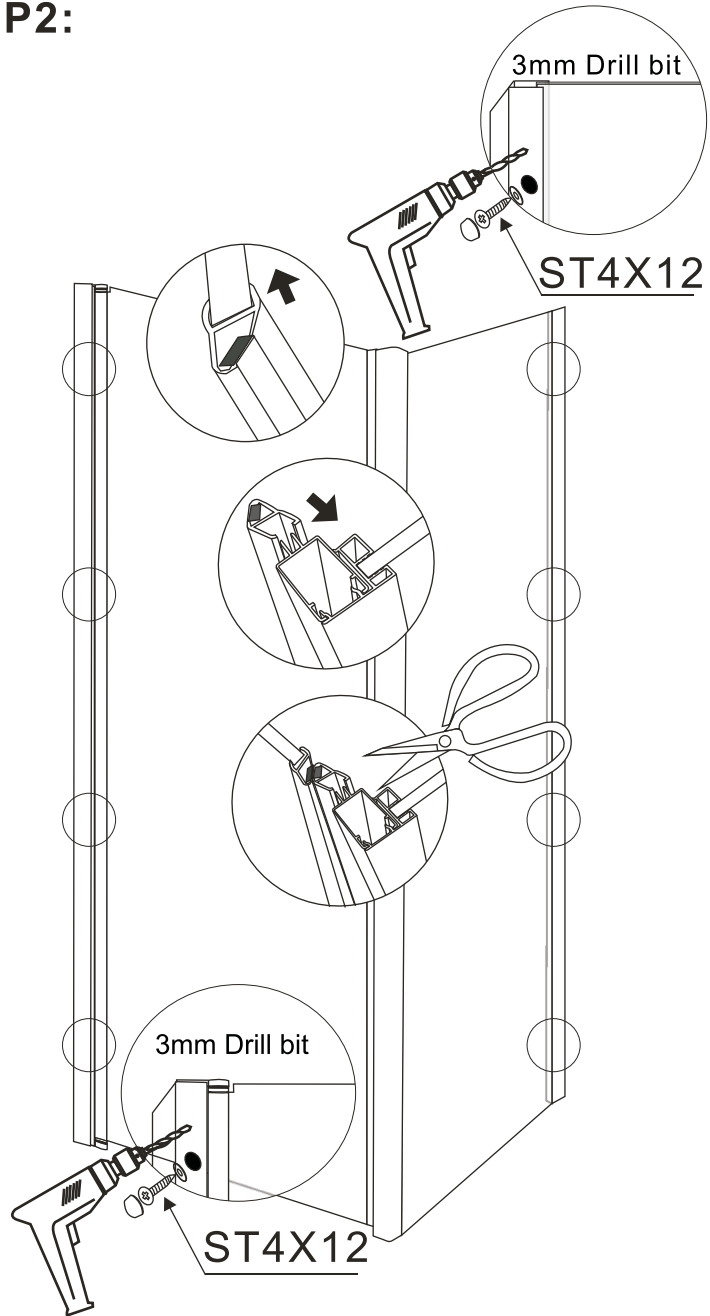


Pivot door with side panel STEP1:

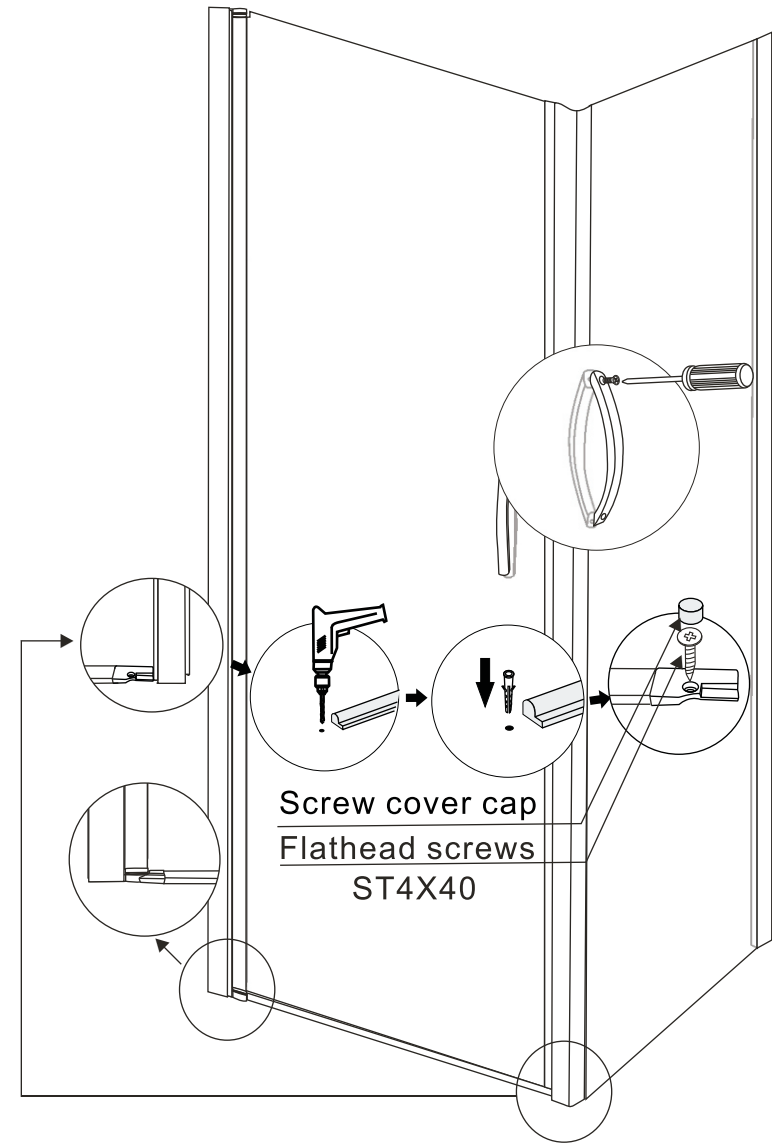


-Insert the fixed glass panels into the wall profiles.
(Note: please make sure the two glass panels are vertical with each other.)

STEP2:

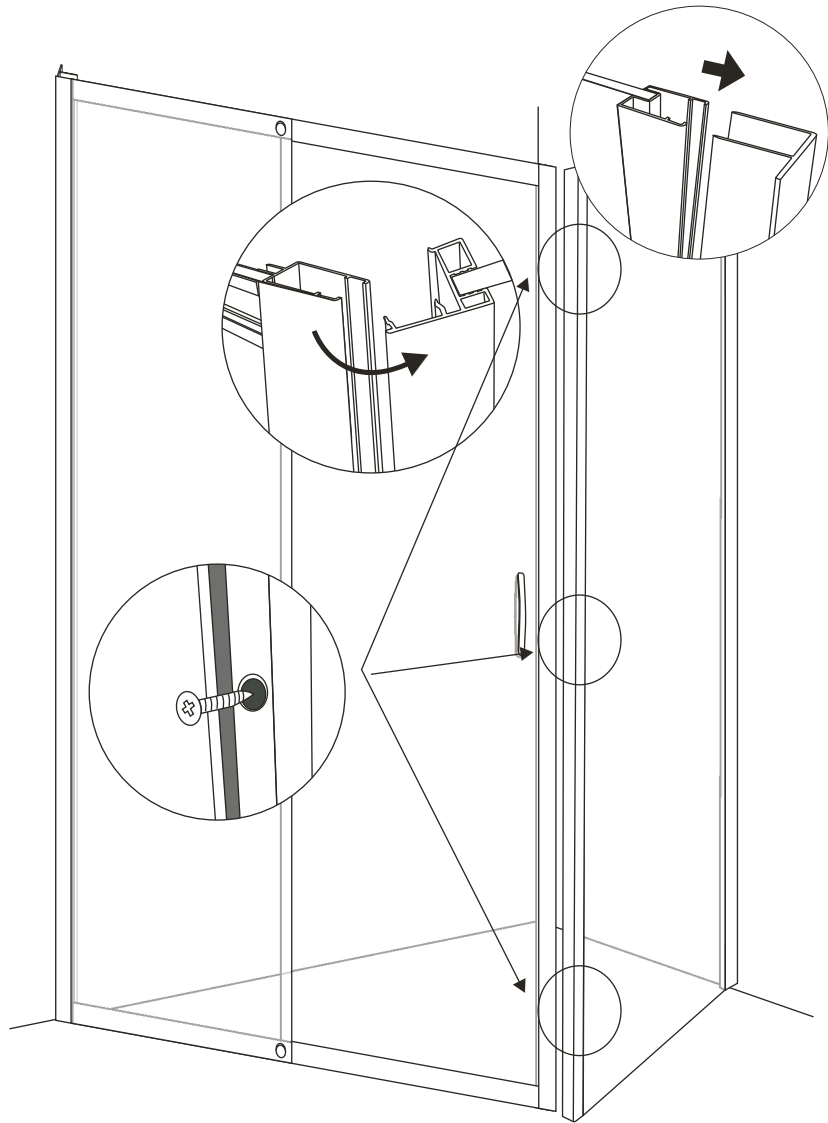


STEP3:



Sliding door with side panel

STEP1:



STEP2:

