

## Cleaning

All chrome surfaces should be cleaned using a clean damp cloth.

No abrasive cleaning agents or materials should be used.

General glass cleaner can be used for the screen, but ensure that this will not damage the chrome, check the cleaning information on the product before use.

Telephone  
**0844 484 7678**

## Side Panel



Please retain this manual after installation for future reference and maintenance.

Images are for installation purposes only.



### **IMPORTANT**

Handle with care, impact can damage both the glass and frame

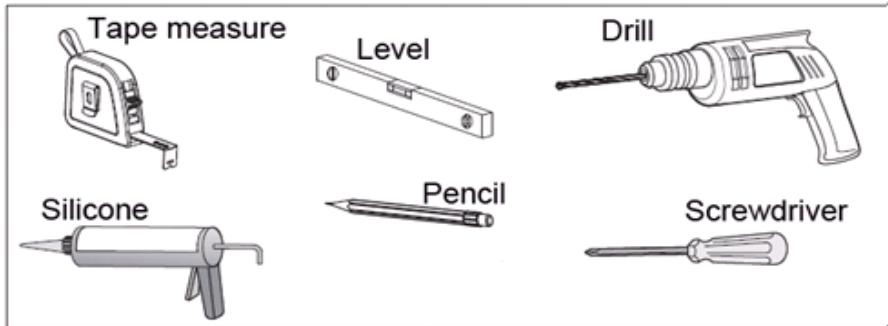
Check for pipes and wires prior to drilling

Use of safety equipment is advised

Two people may be required for parts of the installation

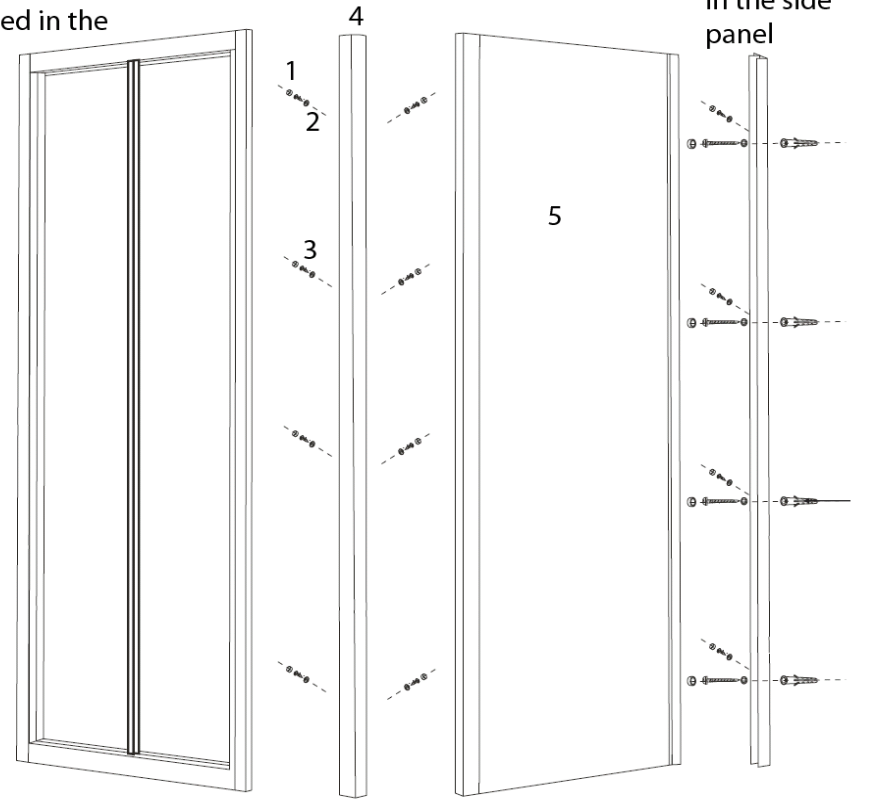
Parts		
Part	Qty	Description
1	8	Screw cover
2	8	Screw cup
3	8	Corner profile screws M4 x10
4	1	Corner profile
5	1	Side panel inc chrome profiles

**Tools**



**Parts**

Not included in the side panel

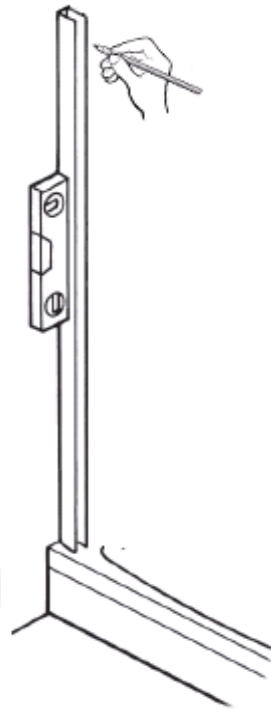
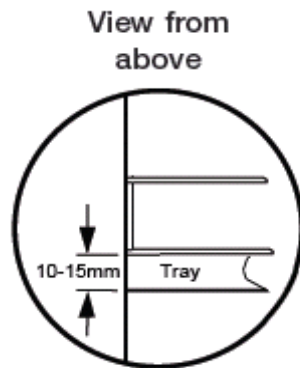
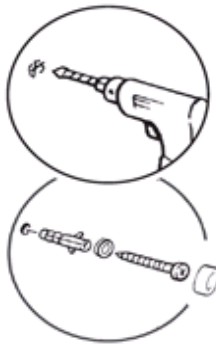


### Installation - Step 1

To assemble the side panel to the enclosure, you will use one of the wall channels supplied with your enclosure.

Fit the main screen wall channel to the wall as advised in the instructions for the enclosure.

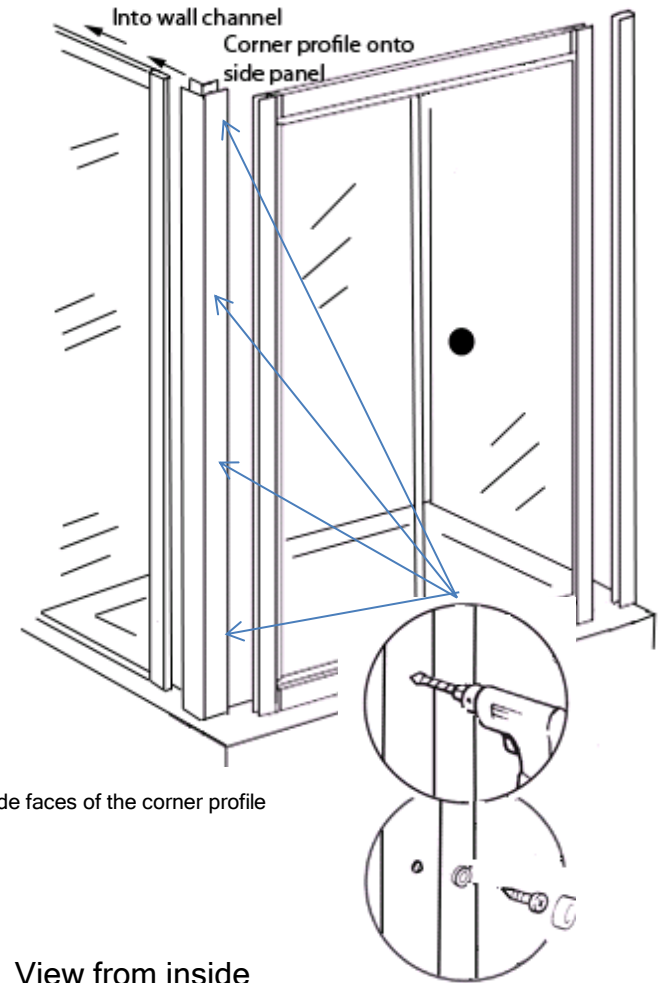
Then using the second wall channel fit this in the same way, approx 10-15mm in from the edge and secure using screws, cups and covers provided.



### Installation - Step 2

Once the side panel has been pushed into the wall channel, some adjustment will be required to align the corner profile with the main door frame.

After the side panel, corner profile and door have been aligned and levelled, drill through from the inside of the wall channel and corner profile (do not drill through to the outside) and secure the assembly using the screws (M4 x10) cups and covers.



Drill both inside faces of the corner profile

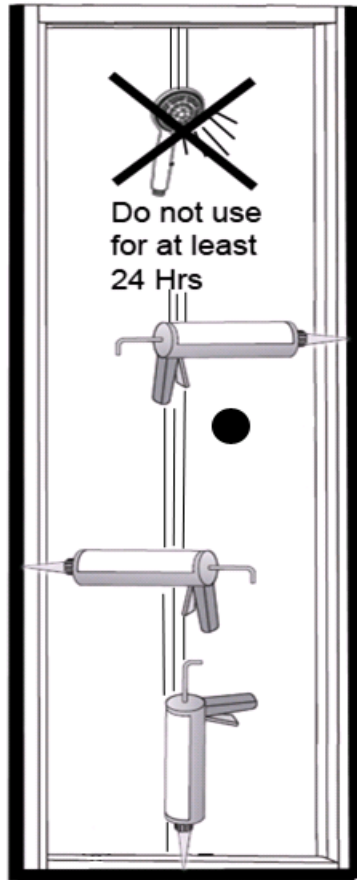
View from inside  
Drill and secure corner profile

### Installation - Step 3

Sealing should be carried out along the bottom outer edge of the frame and up the outside of the wall channels.

**DO NOT** seal on the inside of the enclosure.

After sealing do not use the enclosure for at least 24 hours



## Guarantee

Your product comes with a 1 year guarantee when installed, used and cleaned in accordance with this manual.

### Not covered by the guarantee is:

- Breakdown due to -
  - a) Use other than domestic
  - b) Wilful act of neglect
  - c) Any malfunction resulting from incorrect use
  - d) Incorrect assembly/installation
- Repair costs for damage caused by foreign objects or substances
- Total loss of the product due to non-availability of parts
- Compensation for loss of use of the product or consequential loss of any kind.
- Call out charges where no fault has been found with the product.
- The cost of repair or replacement of any accessories installed at the same time.
- The cost of routine maintenance, adjustments, overhaul, modifications, loss or damage, arising therefrom, including the cost of repairing damage, breakdown, malfunction caused by incorrect use, assembly or maintenance