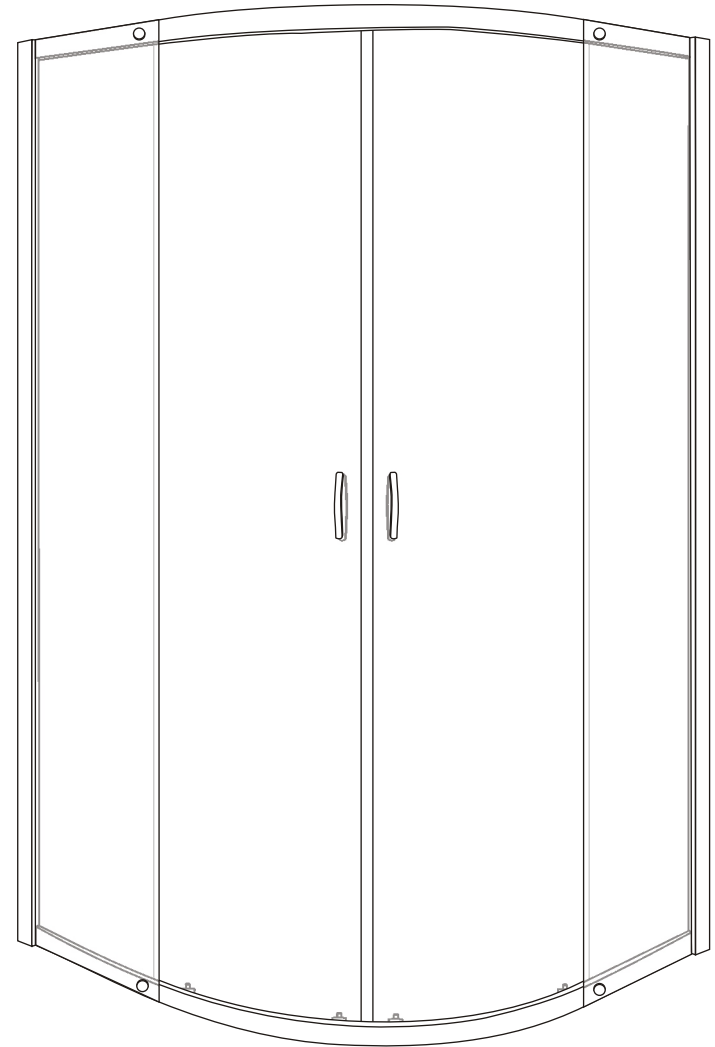


Installation Operation Manual

SG07



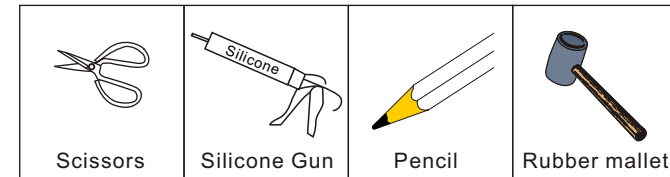
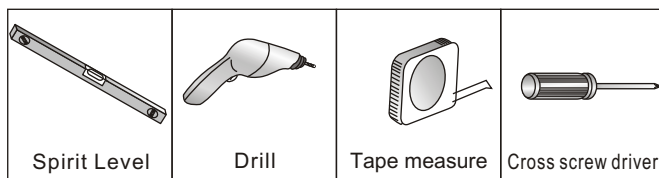
Important Reminder

1. Please install the shower enclosure according to the instruction , otherwise, it will affect the operational performance.
2. After opening the carton, please check the parts according to the part list.
3. Please handle the glass parts carefully and avoid impact
4. If installing on a tray, follow correct method of installing the tray and tile down onto this.
5. After installation , do not use for 24hours.


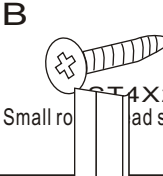

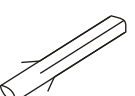

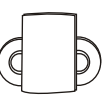






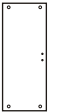


Notice

1. Do not climb or hang heavy things on the shower enclosure.
2. Do not knock and impact the glass.
3. Caution slippery on the inside of the shower enclosure.
4. Ordinary liquid detergent should be used with a soft cloth for cleaning.
5. Apply silicone to prevent water leakage.
6. Keep the tray clean, remove hair and debris to prevent blockages

Tools:

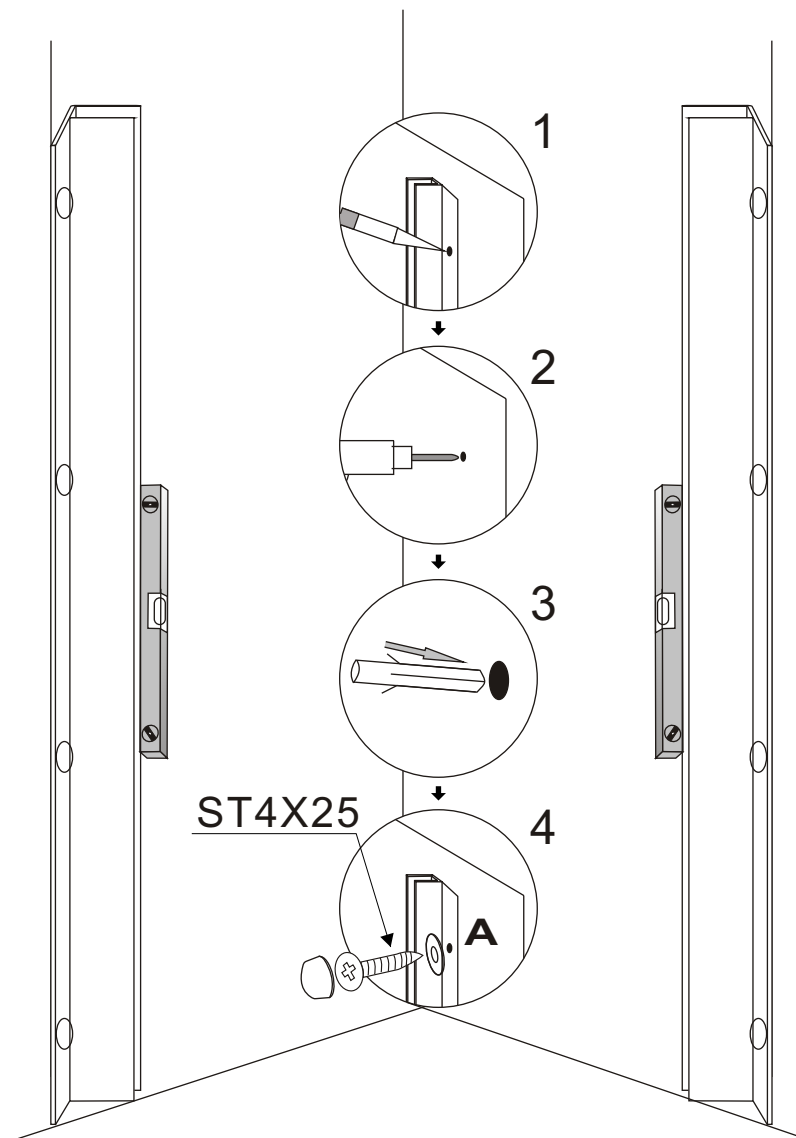


Part list

 Screws ST4X25 X8	 Small rod ST4X25 pad screw X8	 Screws ST4X12 X8	 Wall plug X8
 Wheel X4	 Wheel X4	 Handle X2	 Drill bit 3mm
 Rubber Seal X4	 Magnetic Seal X2	 Wall Profile X2	 Fixed Glass Panels X2
 Sliding Door X2	 Aluminum alloy rail X2		 Decorative screws X4

Plugs and drill bit are supplied, these are suitable for masonry and so a suitable bit and plug should be used or your wall type

STEP1: Wall profiles assembling



Point 1 and 4: the screws should be fitted to the inside

Place the wall channels against the wall and using a spirit level ensure these are vertical.

Position the wall channels with the lip on the inside, to be screwed to the wall.

Mark the drill holes through the wall channel.

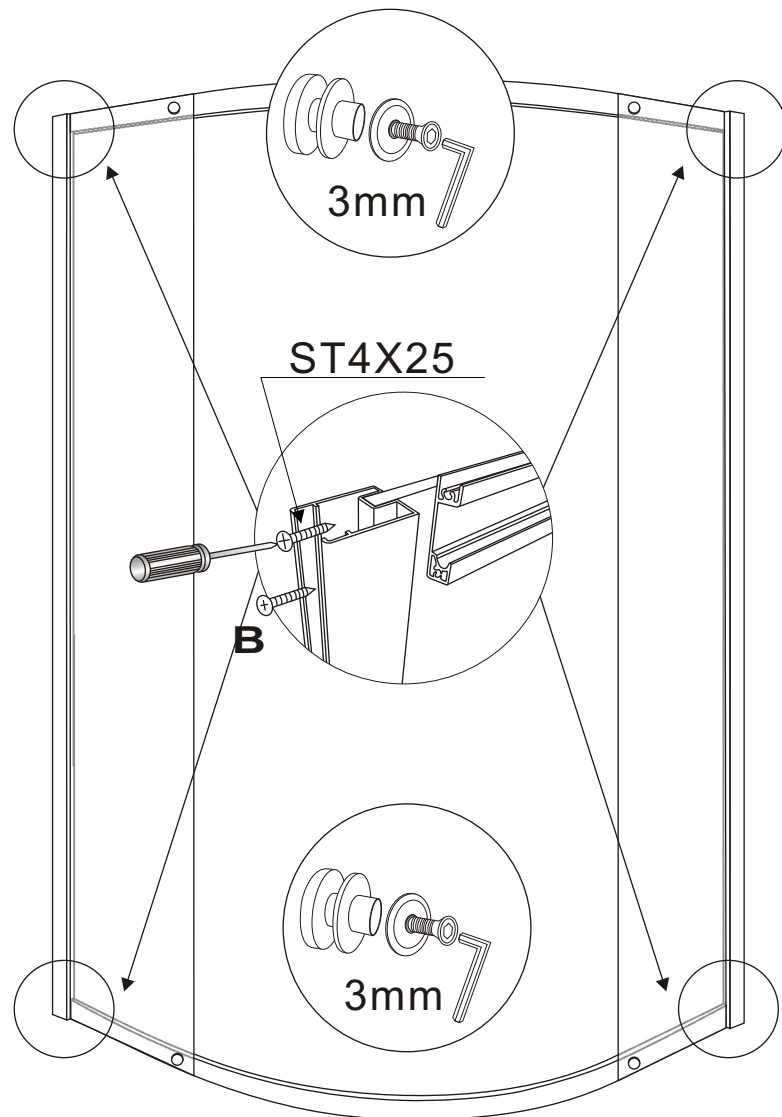
Drill holes using a suitable drill bit for your wall type. Insert wall plugs and tap in until flush with the finished wall.

Sealant can be applied between the wall channel and wall.

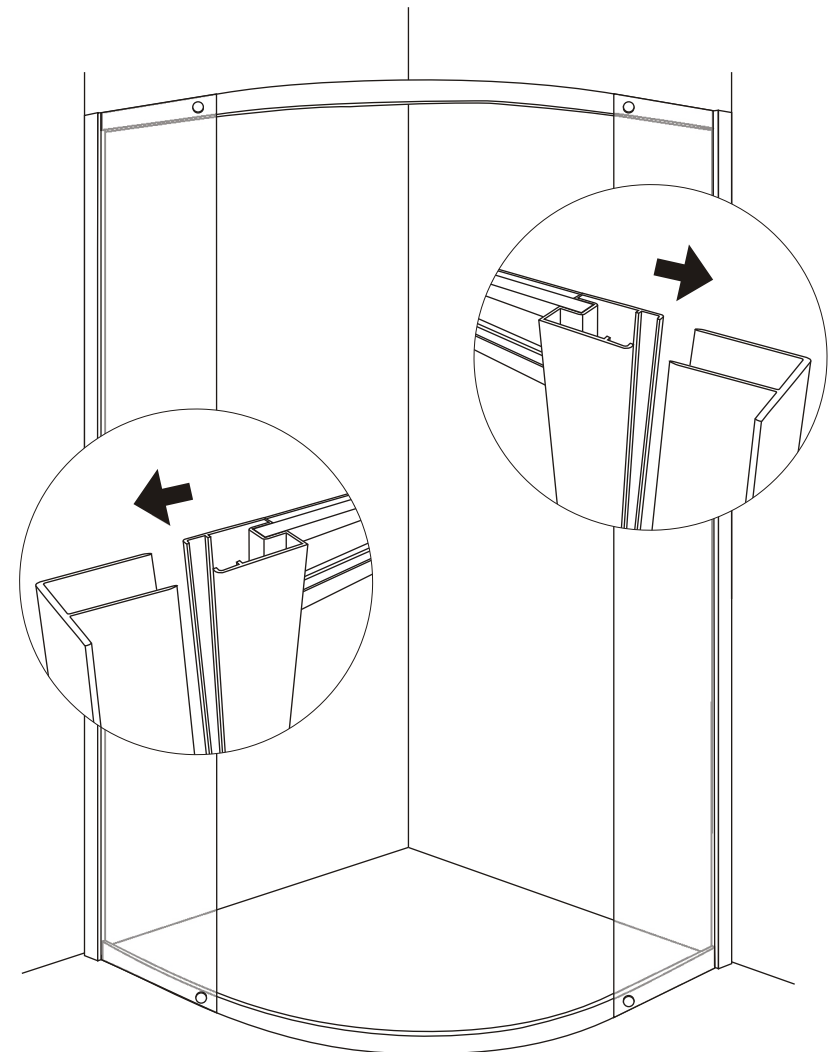
Place the wall channels against the wall and secure into position using screws and washers.

Push on the chrome screw cap covers.

STEP2:

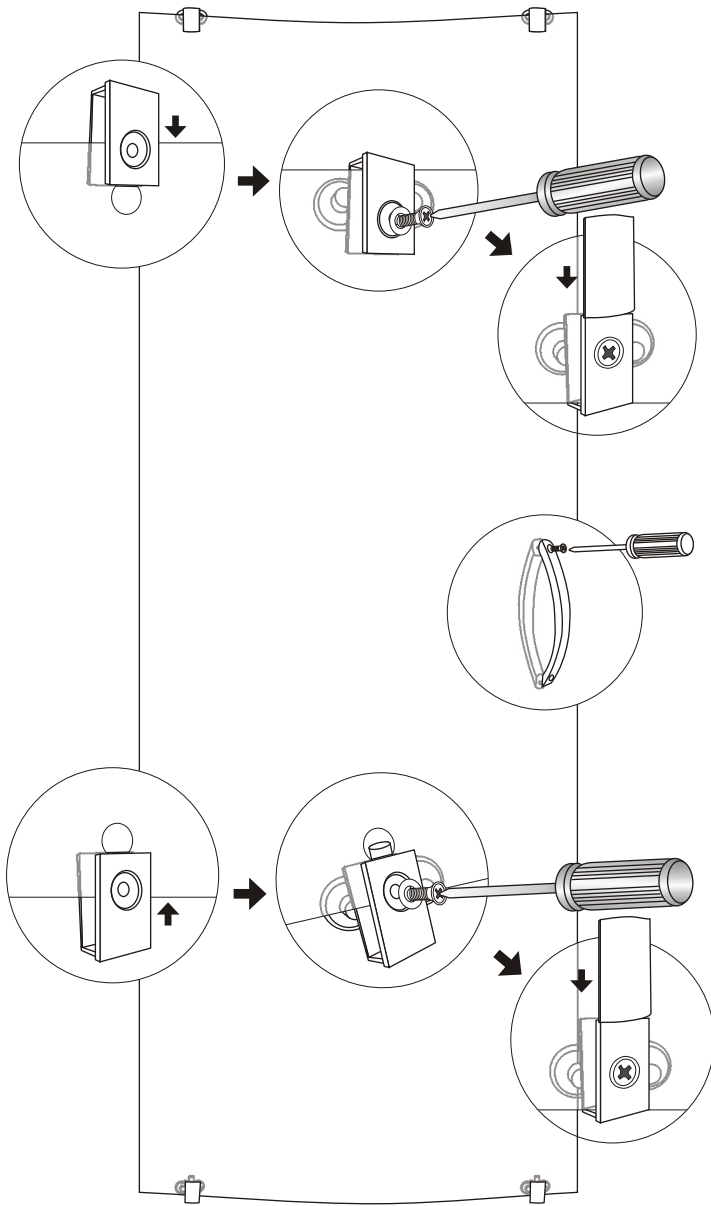


STEP3: Fixed glass panels Assembling

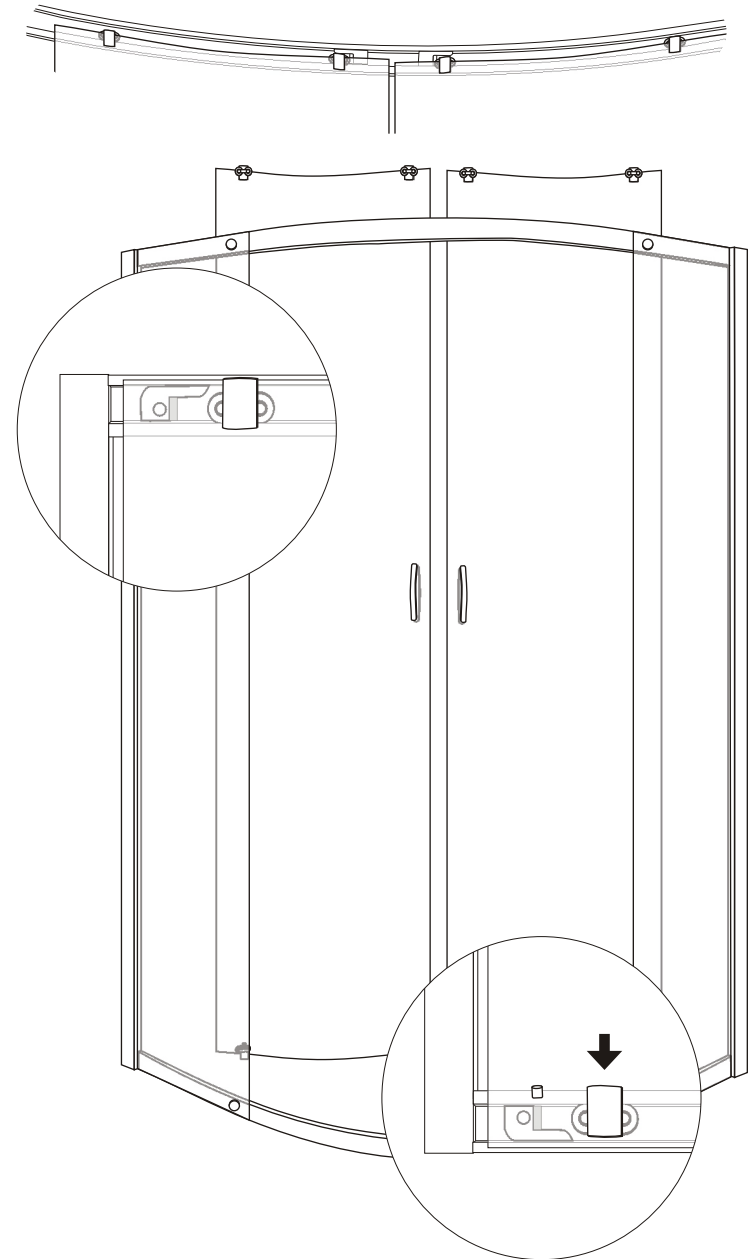


-Insert the fixed glass panels into the wall profiles.
(Note: please make sure the two glass panels are vertical with each other.)

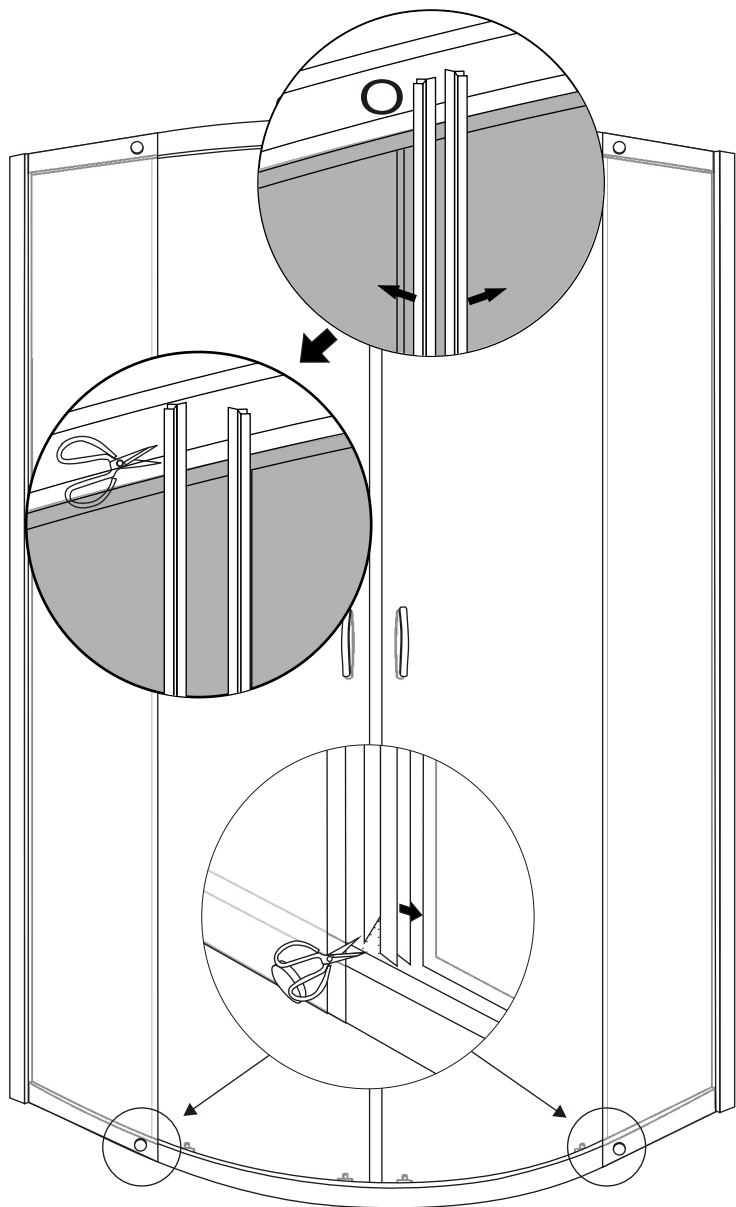
STEP4:



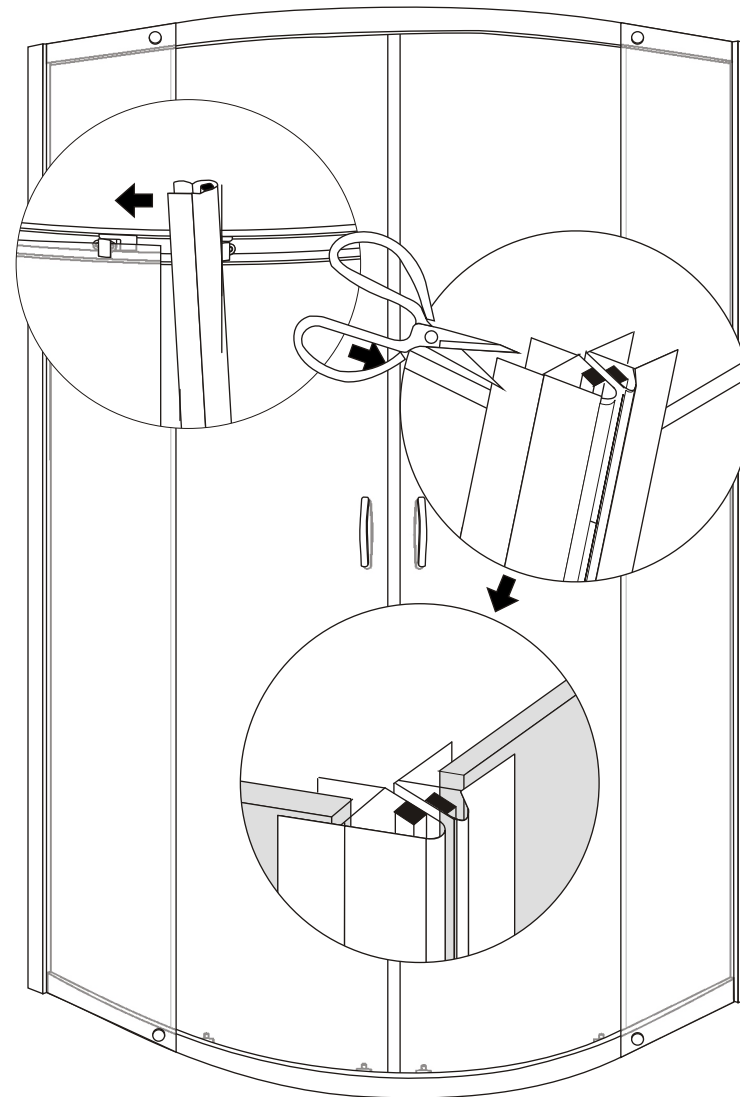
STEP5:



STEP6:

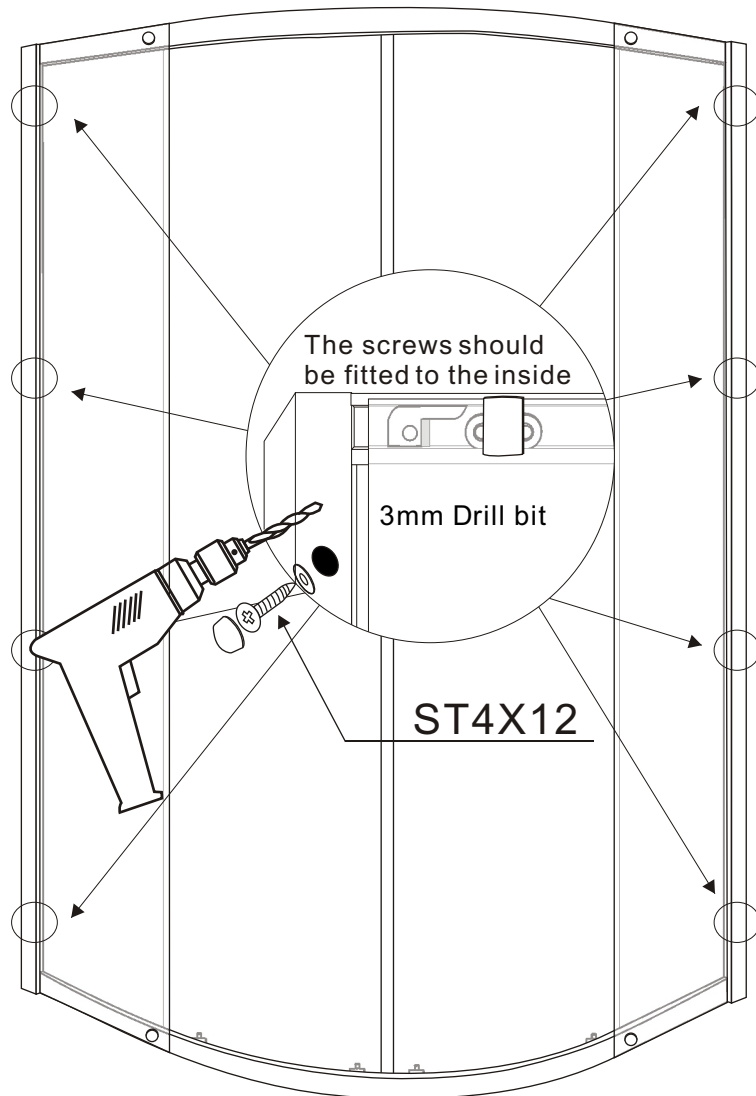


STEP7: Magnetic Seals Assembling



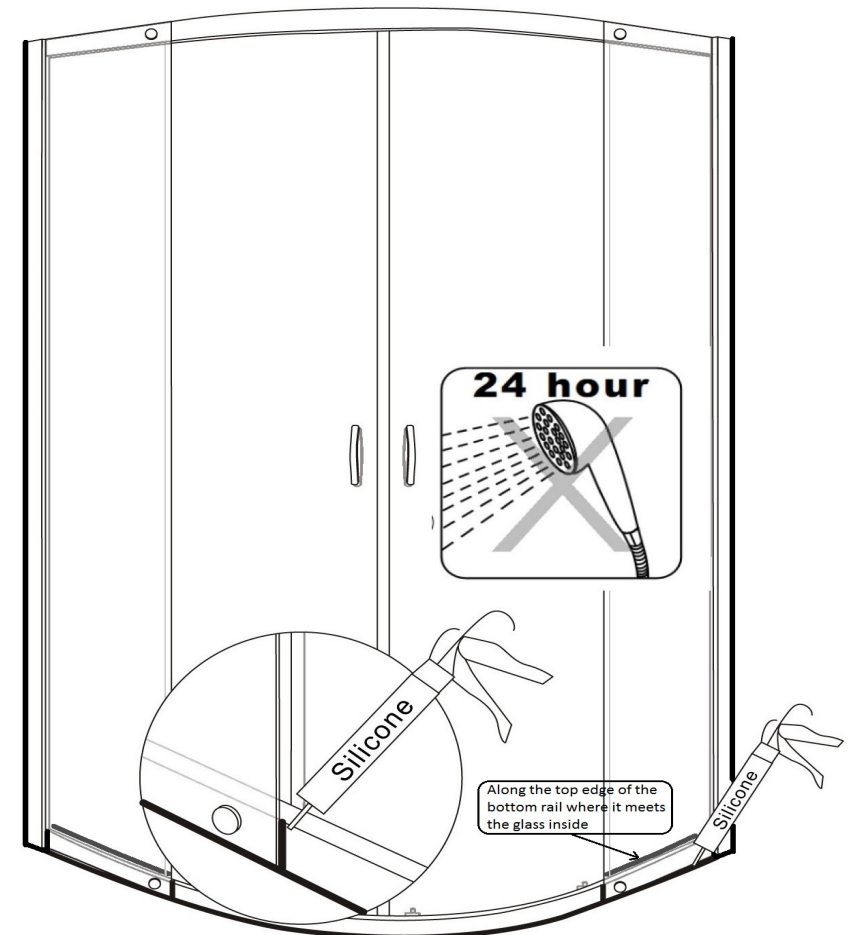
-Push the magnetic seals onto the sliding doors.
Cut into required length.

STEP8:



Silicone Application

STEP9:



-Apply silicone sealant to all joints between fixed glass panel, bottom aluminium alloy rail and tray.

- *Along the front edge where the rail/glass meets the tray.
- *Along the vertical end of the bottom rail.
- *Along the top edge of the bottom rail where it meets the glass inside.
- *Along the vertical channel outside.

-Do not use the enclosure for 24 hours, to allow the silicone to dry completely.