

Cleaning

All chrome surfaces should be cleaned using a clean damp cloth.

No abrasive cleaning agents or materials should be used.

General glass cleaner can be used for the screen, but ensure that this will not damage the chrome, check the cleaning information on the product before use.

This instruction will cover installation of the following units

Codes:

8298, 8338, 8617, 8300, 8077

8077: 960 - 1000mm

8298 : 660 - 700mm

8300 : 860 - 900mm

8338 : 720 - 760mm

8617 : 760 - 800mm

Telephone
0844 484 7678

Bi-Fold Door



Please retain this manual after installation for future reference and maintenance.

Images are for installation purposes only.



IMPORTANT

Handle with care, impact can damage both the glass and frame

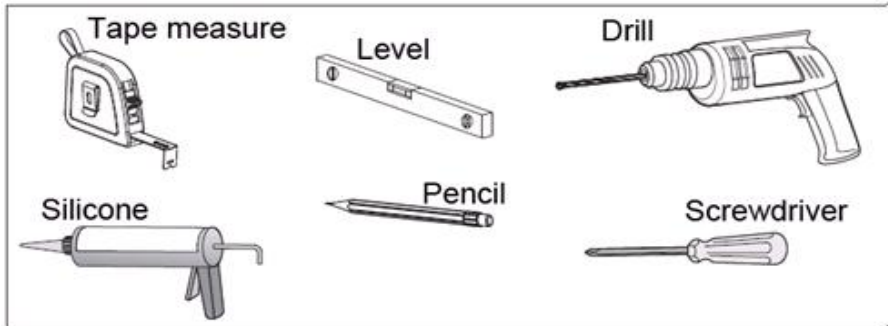
Check for pipes and wires prior to drilling

Use of safety equipment is advised

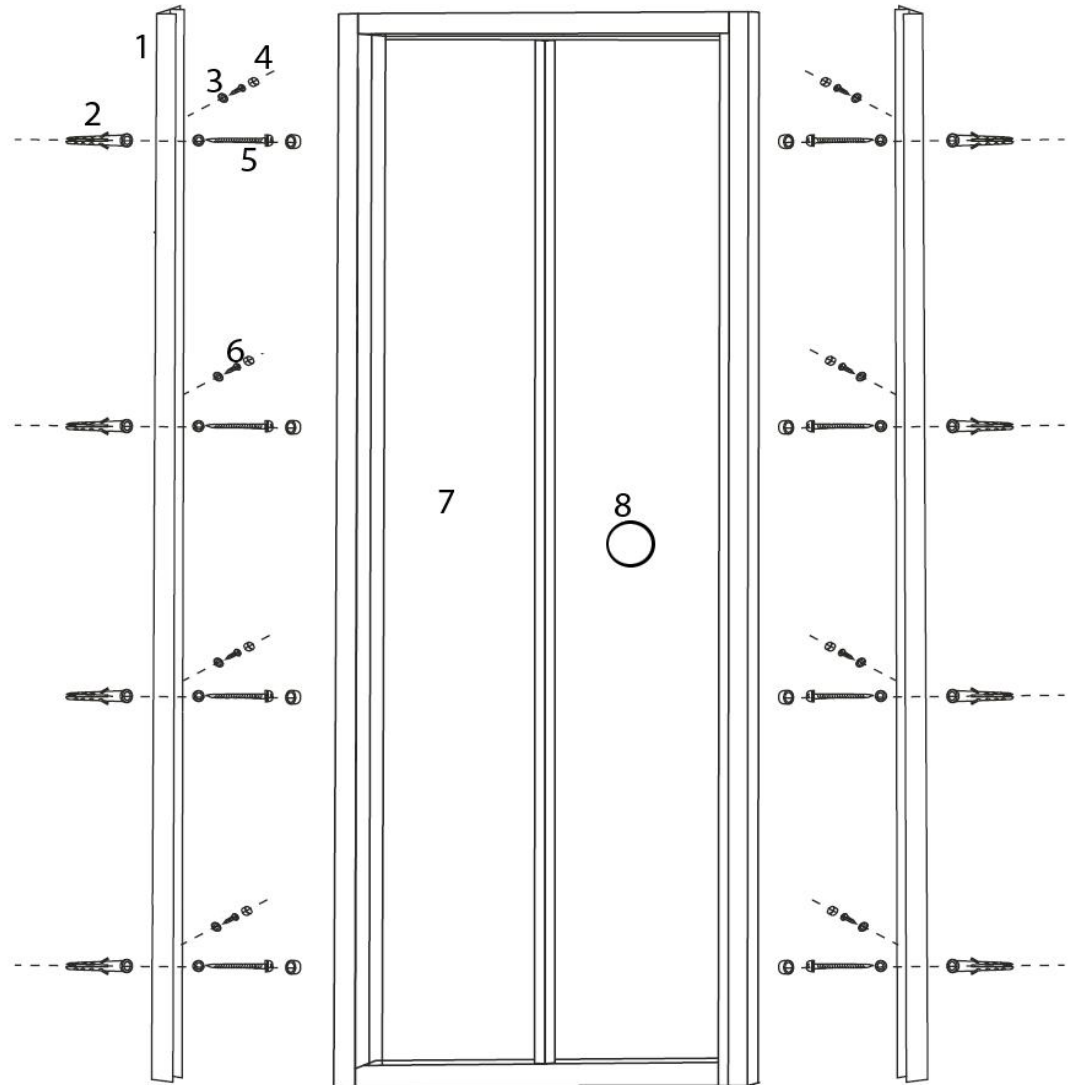
Two people may be required for parts of the installation

| Parts | | |
|-------|-----|--|
| Part | Qty | Description |
| 1 | 2 | Wall channel |
| 2 | 8 | Wall plug |
| 3 | 16 | Screw cup |
| 4 | 16 | Screw cover |
| 5 | 8 | Wall screw M4 x 25 |
| 6 | 8 | Wall channel/glass profile screw M4 x 10 |
| 7 | 1 | Frame inc door and seals (Pre-assembled) |
| 8 | 1 | Handle (2 piece) |

Tools

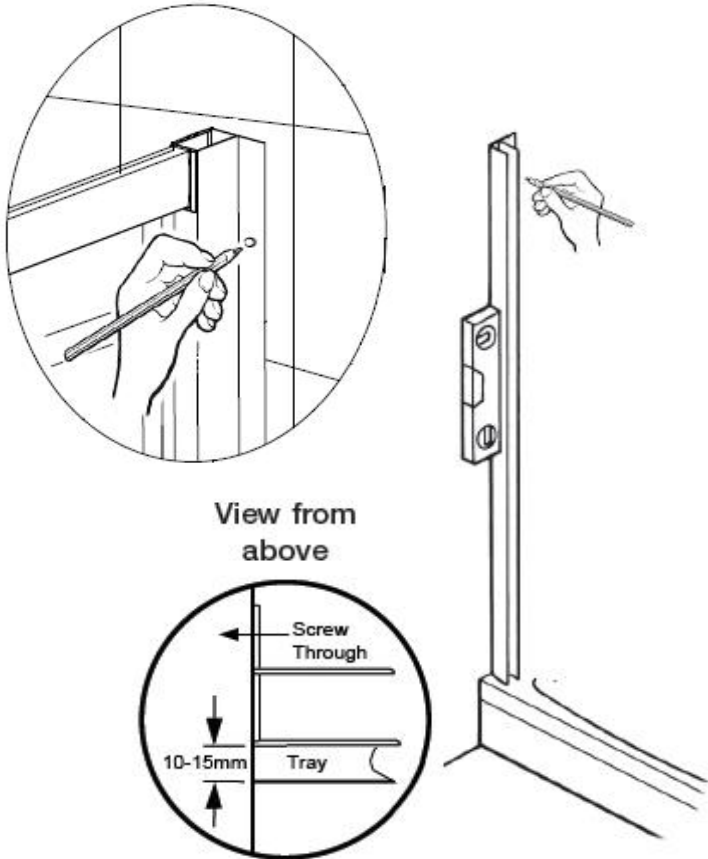


Parts



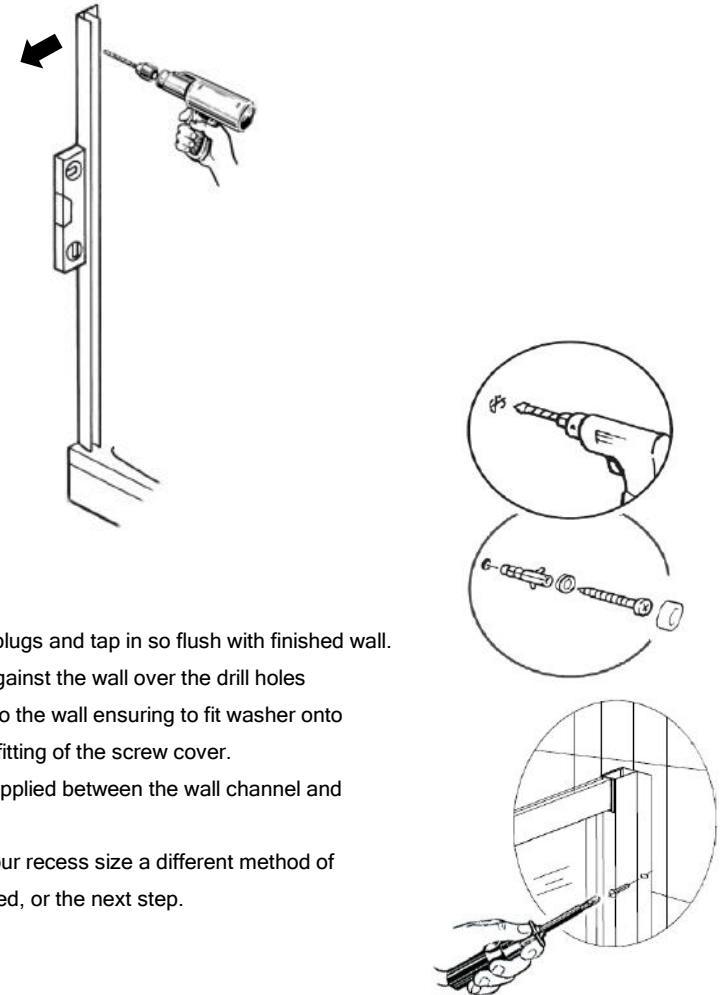
Installation - Step 1

Place the wall channel on the tray approx 10-15mm in from the front edge of the tray.
Using a level ensure the channel is vertical.
Mark the drill holes on the wall through the wall channel lip, to the side of the main channel.
Carry out the same process for both wall channels
Alternatively you can push the door frame into both wall channels then place this onto the tray and mark the holes.



Installation - Step 2

Once the wall has been marked, remove the assembly and drill the wall using suitable drill bit for your wall type.



Installation - Step 3 (Option 1)

Fitting the second wall channel and door frame, will depend on the size of the recess in which the assembly is being fitted.

If the size allows, you can secure the second wall channel to the wall, then:

Slide into one wall channel (1), push back (2), then across into the other channel (3)

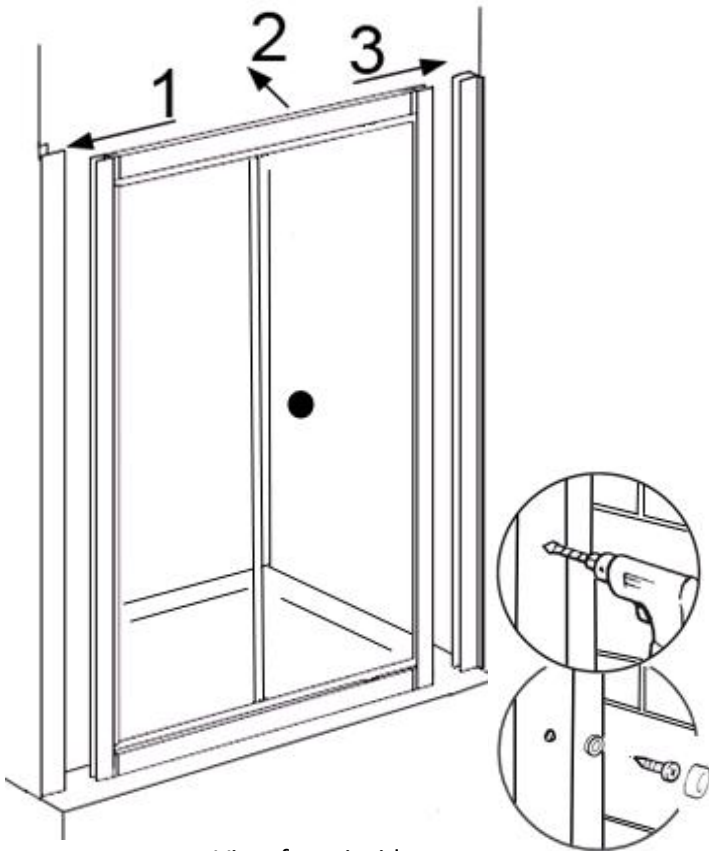
Position as required within the channels.

Ensure the door frame is level.

Drill the wall channels and profile from the inside, **do not drill through to the outside of the wall channel.**

Secure into position using screws M4 x 10, ensure to fit screw cups

Finally push on screw covers



View from inside

Installation - Step 3 (Option 2)

If the recess in which the assembly is being fitted does not allow for Option 1, the following process should be used.

Slide the wall channels onto the frame, then place this onto the tray over the drill holes.

Secure the wall channels to the wall in the same way as Option 1.

Then drill the wall channel and frame and secure in the same way as in Option 1

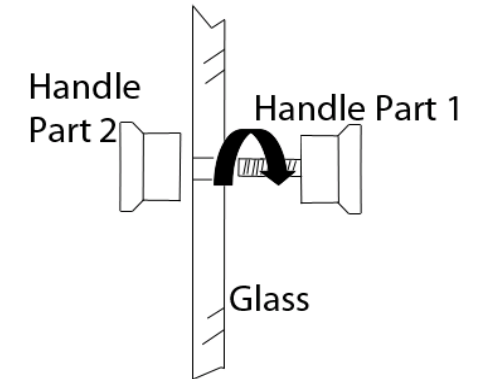
Installation - Step 4

Unscrew the two pieces of the handle

Offer these to the door and place the thread through the glass and connect to second section of handle.

Tighten assembly until secure.

Do not overtighten.

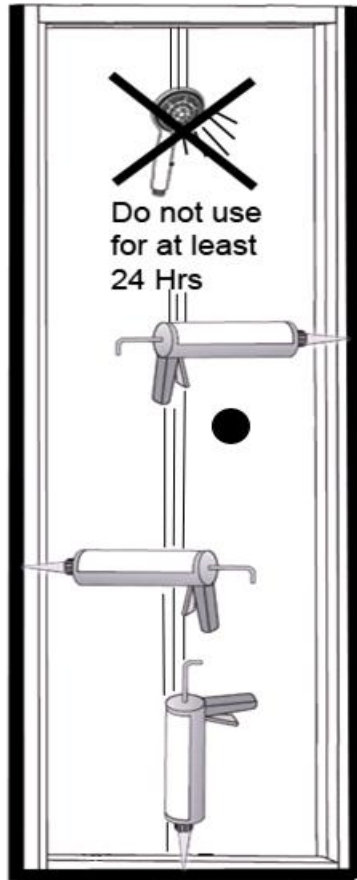


Installation - Step 5

Sealing should be carried out along the bottom outer edge of the frame and up the outside of the wall channels.

DO NOT seal on the inside of the enclosure.

After sealing do not use the enclosure for at least 24 hours



Guarantee

Your product comes with a 1 year guarantee when installed, used and cleaned in accordance with this manual.

Not covered by the guarantee is:

- Breakdown due to -
 - a) Use other than domestic
 - b) Wilful act of neglect
 - c) Any malfunction resulting from incorrect use
 - d) Incorrect assembly/installation
- Repair costs for damage caused by foreign objects or substances
- Total loss of the product due to non-availability of parts
- Compensation for loss of use of the product or consequential loss of any kind.
- Call out charges where no fault has been found with the product.
- The cost of repair or replacement of any accessories installed at the same time.
- The cost of routine maintenance, adjustments, overhaul, modifications, loss or damage, arising therefrom, including the cost of repairing damage, breakdown, malfunction caused by incorrect use, assembly or maintenance

| Part | Part No. | Qty |
|------|----------|-----|
| A1 | P0029-2 | 2 |
| A2 | P0019-2 | 10 |
| A3 | P0002-6 | 10 |
| A4 | P0002-8 | 10 |
| A5 | N/A | 1 |

B1*

B2 P0002-9 10

| | | | |
|-----|---------|-----|---|
| C1* | P0013-8 | 4mm | 4 |
| | P0013-7 | 6mm | 4 |

D1*

| | |
|----|---------|
| D2 | P0041-1 |
| D3 | P0001-8 |
| D4 | P0041-2 |
| D5 | P0001-9 |
| D6 | P0036-2 |
| D7 | P0042-1 |

E1*

E2*

| | | |
|-----|---------|-----|
| E3 | P0034-2 | |
| E4 | P0002-8 | |
| E5* | P0013-8 | 4mm |
| | P0013-7 | 6mm |

*Dependant on screen purchased