

USER MANUAL



Thank you for choosing Better Bathrooms.
Please read this manual before installing your product
and keep for future reference.

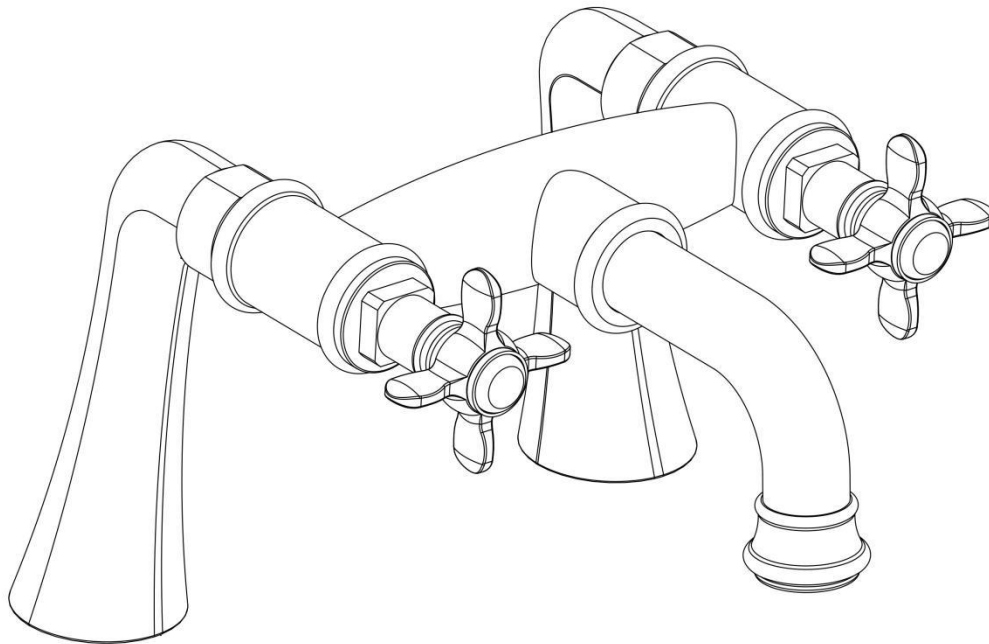
better 
bathrooms

Product

BeBa_25961 - Camden Bath Filler Chrome

BeBa_25966 - Camden Bath Filler Matt Black

BeBa_25971 - Camden Bath Filler Brushed Brass



- **Single-person assembly**
- **Tools required**
- **We always recommend using professional tradespeople to install your product**

V1_09/9/2021

Congratulations on your purchase

And welcome to our growing gang of savvy shoppers

We're on a mission to bring you extraordinary bathroom products, for less. From modern to traditional style ceramics, plus the gorgeous fixtures, fittings and furniture to match. So, you can fall in love with your space every single day.

As one of the UK's largest independent bathroom stores, we've received countless awards; including the National Business Awards UK, the Digital Entrepreneur Awards and being placed on The Sunday Times Fast Track 100.

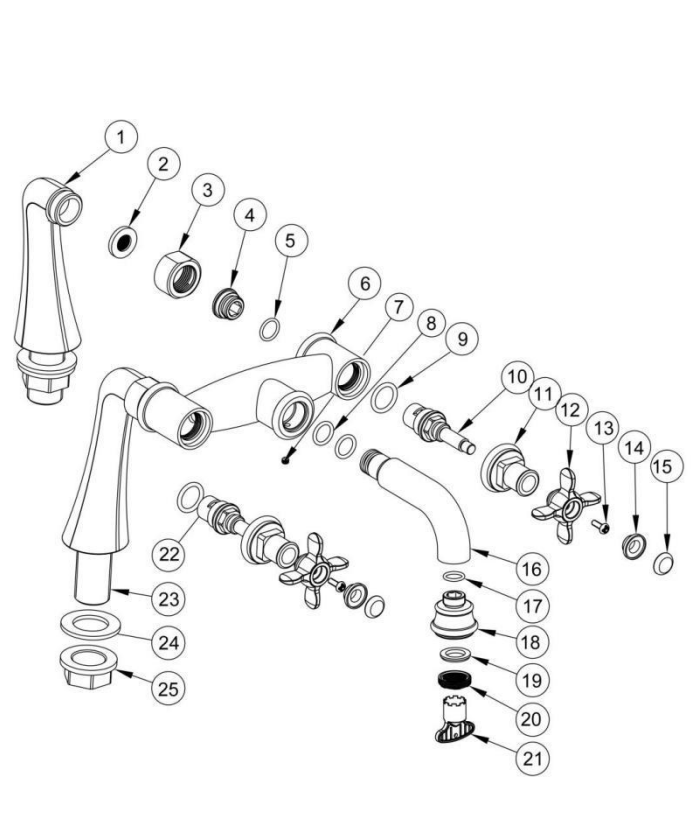
We hope your new product goes above and beyond your expectations. However, should any problems occur, please:

- log in to your account and contact our customer services team via your self-serve portal – betterbathrooms.com/Account/Login
- contact us via betterbathrooms.com/contact-us

Important information

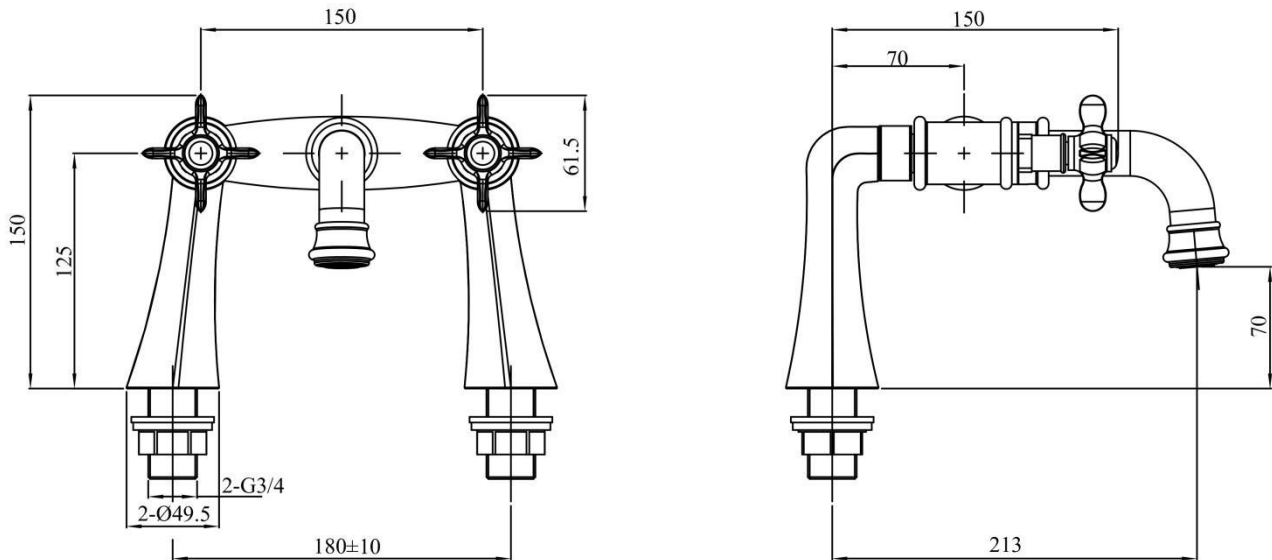
- Please read these instructions thoroughly and retain for future reference
- Installation must be carried out in compliance with The Water Fittings Regulations and Scottish Water Byelaws.
- The system must be flushed prior to installation
- Minimum and Maximum working pressure : 0.5 - 5 bar
- Pressures must be equal for optimum performance
- Please do not connect hot and cold water supply lines in reverse. This could result in hot water flowing from cold line and cause scalding.
- The feed-water temperature of water shall not exceed 85° C.
Exceeding 85° may cause scalding, the service life of faucets might be shortened, or the faucet might be damaged.
- After installation, please make sure the faucet is securely mounted and checked for leaks.

Parts / Diagrams



No	Description	No	Description
1	Leg	13	Screw
2	Washer	14	Cover
3	Nut	15	Ceramic cap
4	Connector	16	Spout
5	O-ring	17	O-ring
6	Body	18	Housing
7	Screw	19	Rubber washer
8	O-ring	20	Aerator
9	O-ring	21	Aerator key
10	Headwork cold supply	22	Headwork hot supply
11	Dome	23	Leg
12	Cross handle	24	Rubber washer
		25	G3/4 Fixing nut

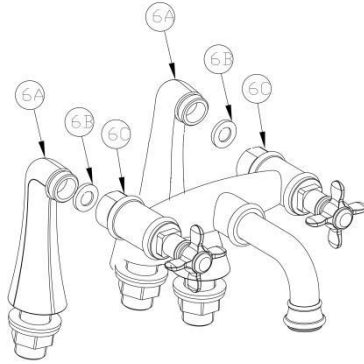
Dimensions



Tools required

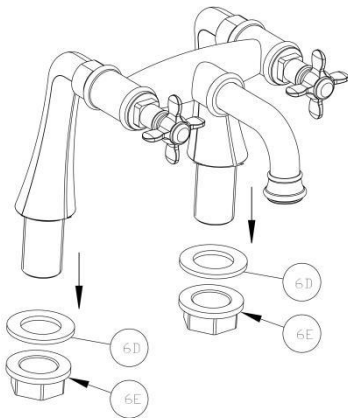
- Spanner

Installation

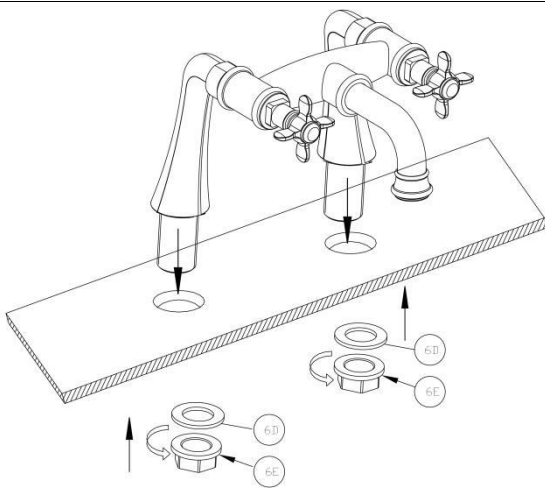


Check if the Rubber Gaskets(6B) are included in the Legs(6A);

Connect the Legs(6A) with the Nuts(6C) of body. Fasten the Nuts(6C) by tool.

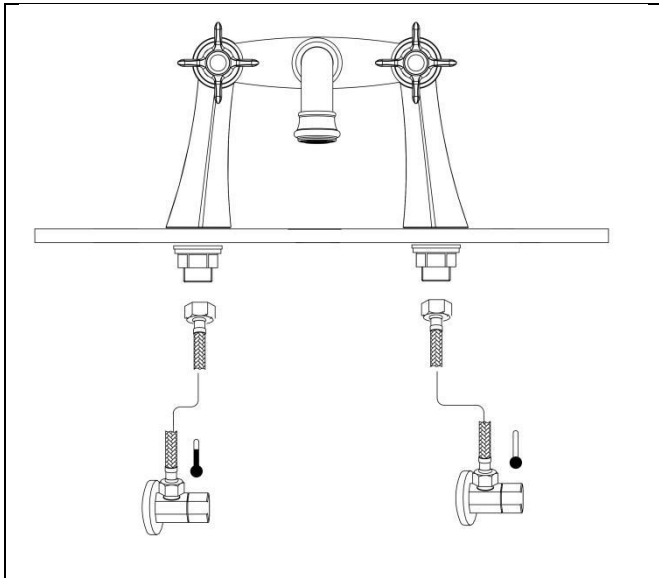


Remove the Rubber Gaskets(6D) and Locknuts(6E) from the Legs.



From above, push the legs through holes on bathtub;

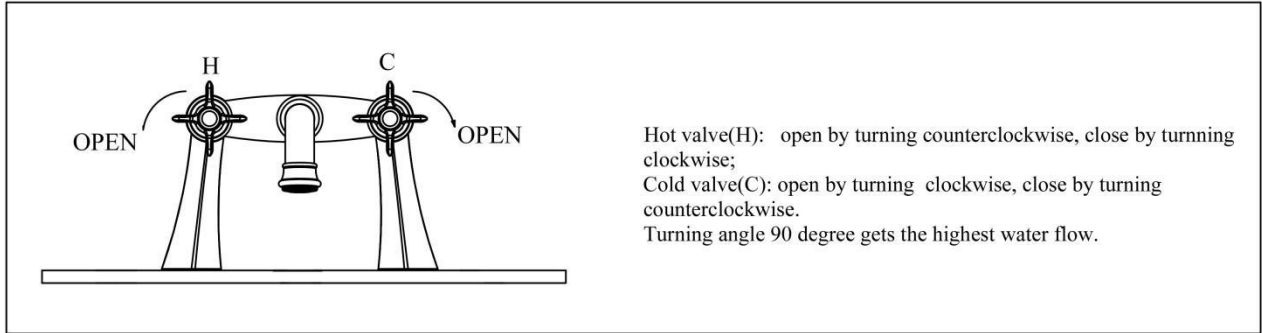
From underneath the bathtub, secure the mixer by fixing the Rubber Gaskets(6D) and Locknuts(6E) onto the legs. Fasten the Locknuts(6E) by tool.



Connect the hot and cold flexible hoses(not included) to the isolation valves(not included), hot on the left, cold on the right.

Turn on water supply and check for leaks.

Operation



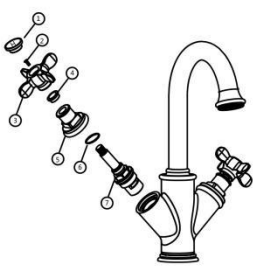

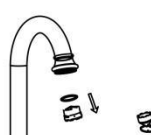
Hot valve(H): open by turning counterclockwise, close by turning clockwise;
 Cold valve(C): open by turning clockwise, close by turning counterclockwise.
 Turning angle 90 degree gets the highest water flow.

Troubleshooting

Issues	Inspection Item
Poor water flow	<ul style="list-style-type: none"> • Is there blockage within the filter mesh on aerator • Was the system flushed prior to installation • Is the mixer cartridge free from debris
Water leak	<ul style="list-style-type: none"> • Is there damage or dirt within the O-rings of the cartridge • Is there damage or dirt with the rubber washers in the of aerator • Is the locknut on top of cartridge fully tightened • Is there damage within the rubber washer inside the nuts of flexible hoses • Is there damage with the O-rings on the flexible

	hoses
Handle loose	<ul style="list-style-type: none"> • Is the screw inside the handle fully tightened • Is the locknut on top of cartridge fully tightened
Body loose	<ul style="list-style-type: none"> • Is the fixing kit underneath fully tightened

Maintenance

	<p>REPLACEMENT OF CARTRIDGE</p> <p>Turn off the valves to release pressure of waterpipe. Unscrew the ceramic cap(1) and remove the screw(2) with a screwdriver. Take out the handle(3) and plastic ring(4). Then disassemble the dome(5)(use tool if needed). Take out the cartridge upward vertically. Assemble a new cartridge by reverse steps.</p>
<p>Type 1: Coin Slot Aerator</p>	<p>CLEANING OF AERATOR</p> <p>To avoid the dust and impurities from construction that might influence water flow, it is suggested to clean the aerator on a regular basis. Disassemble aerator as per graphic on the left and install the aerator by reverse steps.</p>
	
<p>Type 2: Hidden Aerator with Aerator Key</p>	
	

Cleaning

To maintain the surface of your product, wipe with a clean damp cloth and wipe dry, do not use any abrasive cleaning agents or materials. If any harsh chemicals come into contact with the surface of the product, rinse and wipe clean immediately.

For more information

- visit betterbathrooms.com
- email customerservices@buyitdirect.co.uk
- call 03303903062
- write to Trident Business Park, Neptune Way, Huddersfield, HD2 1UA

better 
bathrooms

Part of the BuyItDirect Group