

USER MANUAL



Thank you for choosing Better Bathrooms.
Please read this manual before installing your product
and keep for future reference.

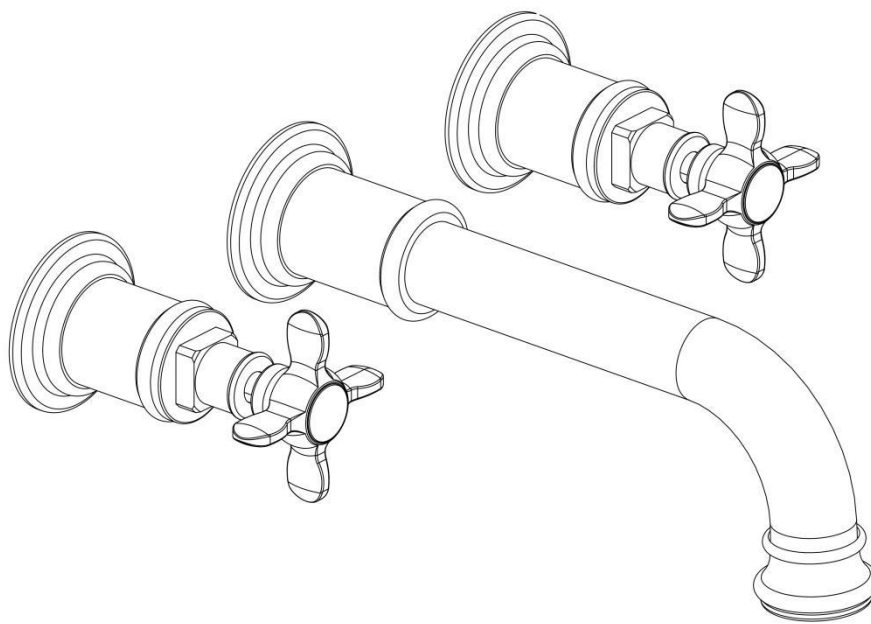
better 
bathrooms

Product

BeBa_25963 - Camden Wall-mounted basin mixer Chrome

BeBa_25968 - Camden Wall-mounted basin mixer Matt Black

BeBa_25973 - Camden Wall-mounted basin mixer Brushed Brass



- **Single-person assembly**
- **Tools required**
- **We always recommend using professional tradespeople to install your product**

V1_09/9/2021

Congratulations on your purchase

And welcome to our growing gang of savvy shoppers

We're on a mission to bring you extraordinary bathroom products, for less. From modern to traditional style ceramics, plus the gorgeous fixtures, fittings and furniture to match. So, you can fall in love with your space every single day.

As one of the UK's largest independent bathroom stores, we've received countless awards; including the National Business Awards UK, the Digital Entrepreneur Awards and being placed on The Sunday Times Fast Track 100.

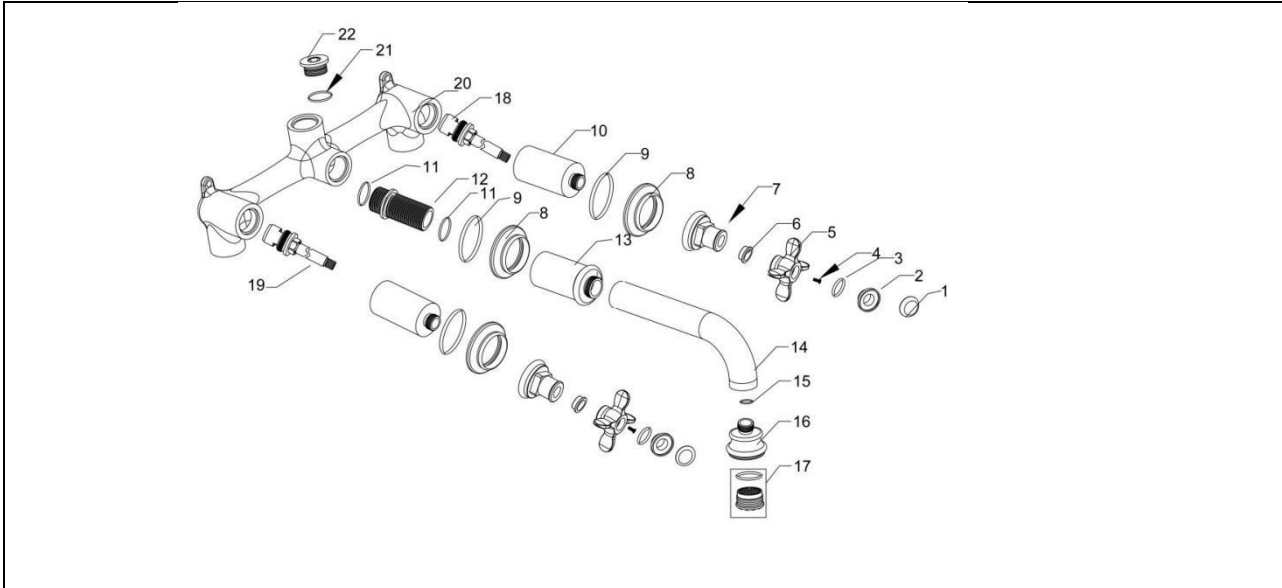
We hope your new product goes above and beyond your expectations. However, should any problems occur, please:

- log in to your account and contact our customer services team via your self-serve portal – betterbathrooms.com/Account/Login
- contact us via betterbathrooms.com/contact-us

Important information

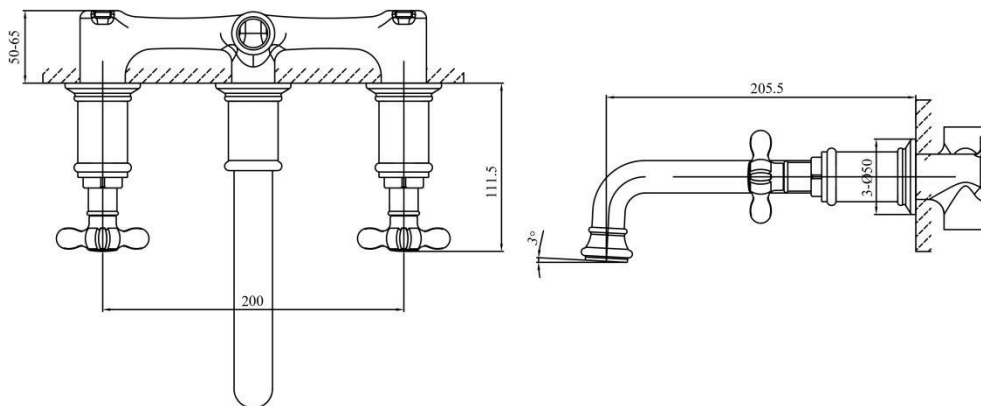
- Please read these instructions thoroughly and retain for future reference
- Installation must be carried out in compliance with The Water Fittings Regulations and Scottish Water Byelaws.
- The system must be flushed prior to installation
- Minimum and Maximum working pressure : 0.5 - 5 bar
- Pressures must be equal for optimum performance
- Please do not connect hot and cold water supply lines in reverse. This could result in hot water flowing from cold line and cause scalding.
- The feed-water temperature of water shall not exceed 85° C.
Exceeding 85° may cause scalding, the service life of faucets might be shortened, or the faucet might be damaged.
- After installation, please make sure the faucet is securely mounted and checked for leaks.

Parts / Diagrams



No	Part Description	No	Part Description
1	Ceramic cap	12	Connector
2	Cover	13	Spout connector
3	O-ring	14	Spout
4	Screw	15	O-ring
5	Cross handle	16	Housing
6	Plastic ring	17	Aerator
7	Dome	18	Headwork cold supply
8	Trim cover	19	Headwork hot supply
9	O-ring	20	Body
10	Sleeve	21	O-ring
11	O-ring	22	Sealing nut

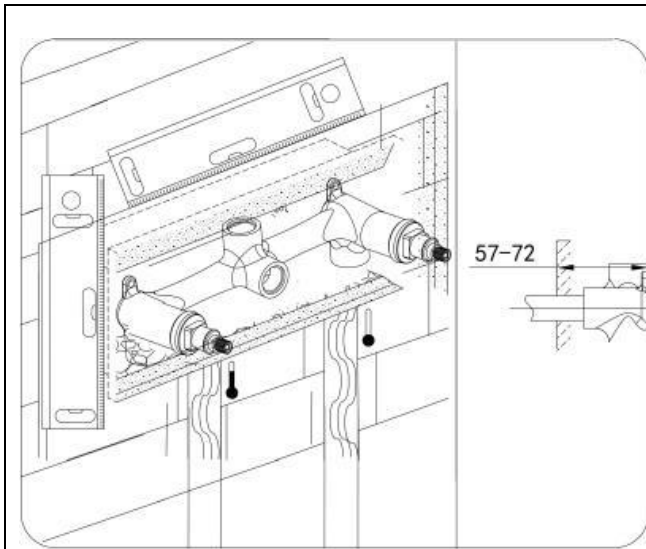
Dimensions



Tools required

- Spanner
- Screw driver
- PTFE Seal tape
- Spirit level

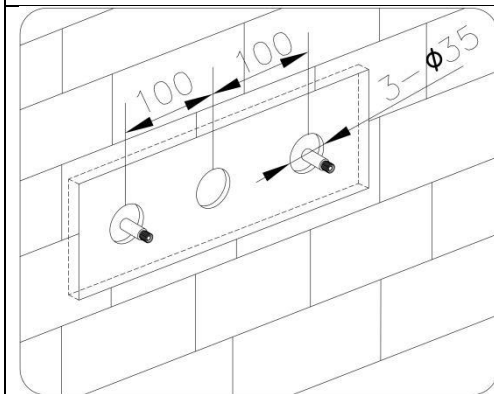
Installation



Based on the size of the body and the wall type, either secure it to the noggins or embed it into the wall at appropriate height and centre in relationship to the basin it will be servicing.

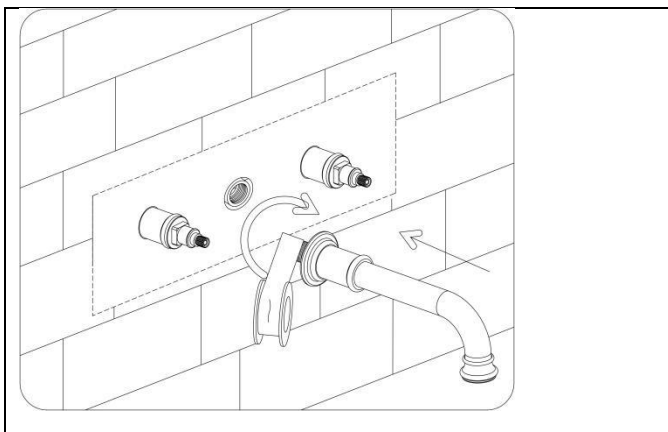
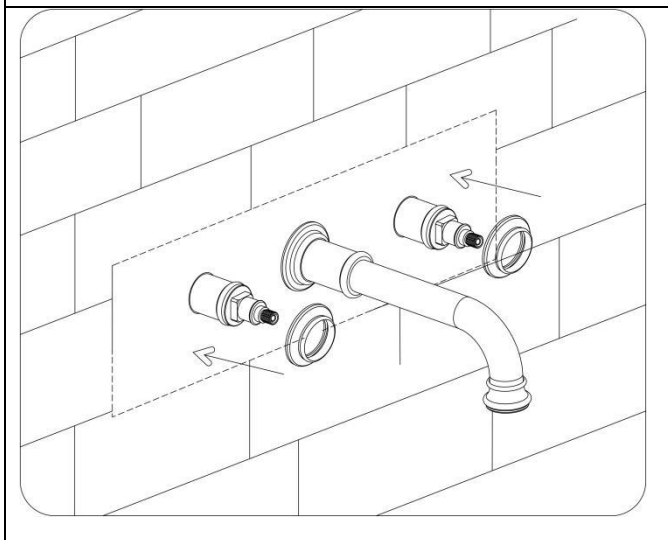
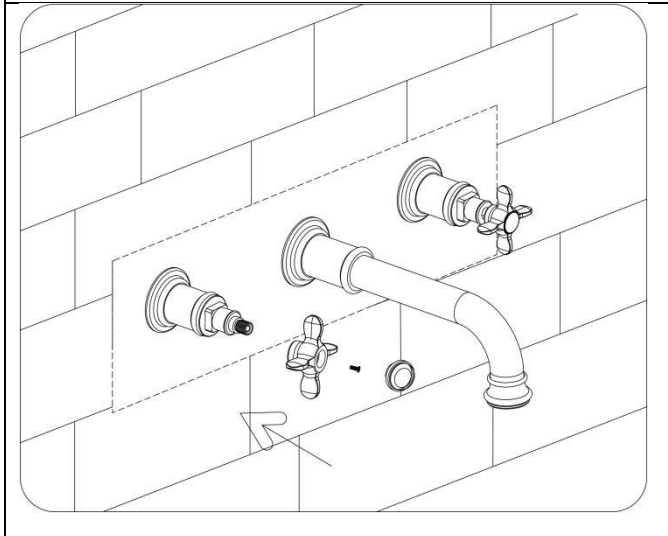
Ensure the body is installed level, plumb and square.

Connect the hot (left) and cold (right) water supply using applicable sealing practices.

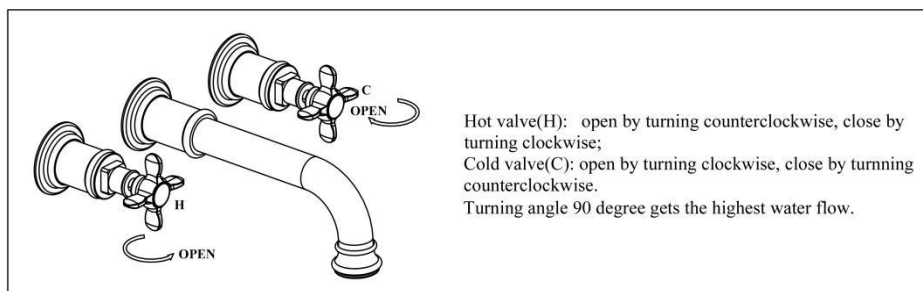


Either, sheet around the mixer body with fibre cement sheeting or backfill the exposed channels ready for tiling.

Ensure tiles are cut as close to the mixer dome as possible;

	<p>Fix the trim over onto the spout.</p> <p>Apply sealing tape on the spout connector and fix it into the hole in wall.</p> <p>Test for water leaks with the mixer in both open and shut positions.</p>
	<p>Install the two trim covers onto the sleeves, until they reach the wall. Use the waterproof glue if necessary.</p>
	<p>Install the cross handles and adjust to the correct positions. Securing them with the grub screw and then cover with the ceramic cap.</p> <p>Turn on water supply and check for leaks.</p>

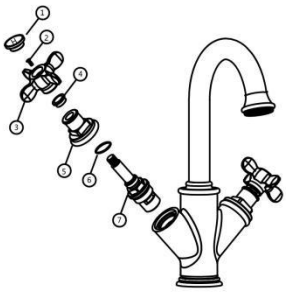
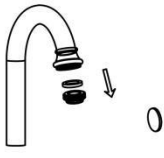
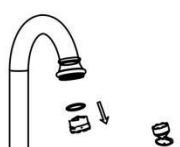
Operation



Troubleshooting

Issues	Inspection Item
Poor water flow	<ul style="list-style-type: none"> • Is there blockage within the filter mesh on aerator • Was the system flushed prior to installation • Is the mixer cartridge free from debris
Water leak	<ul style="list-style-type: none"> • Is there damage or dirt within the O-rings of the cartridge • Is there damage or dirt with the rubber washers in the of aerator • Is the locknut on top of cartridge fully tightened
Handle loose	<ul style="list-style-type: none"> • Is the screw inside the handle fully tightened • Is the locknut on top of cartridge fully tightened
Body loose	<ul style="list-style-type: none"> • Is the concealed body fully secured

Maintenance

	<p>REPLACEMENT OF CARTRIDGE</p> <p>Turn off the valves to release pressure of waterpipe. Unscrew the ceramic cap(1) and remove the screw(2) with a screwdriver. Take out the handle(3) and plastic ring(4). Then disassemble the dome(5)(use tool if needed). Take out the cartridge upward vertically. Assemble a new cartridge by reverse steps.</p>
<p>Type 1: Coin Slot Aerator</p>	<p>CLEANING OF AERATOR</p> <p>To avoid the dust and impurities from construction that might influence water flow, it is suggested to clean the aerator on a regular basis. Disassemble aerator as per graphic on the left and install the aerator by reverse steps.</p>
	
<p>Type 2: Hidden Aerator with Aerator Key</p>	
	

Cleaning

To maintain the surface of your product, wipe with a clean damp cloth and wipe dry, do not use any abrasive cleaning agents or materials. If any harsh chemicals come into contact with the surface of the product, rinse and wipe clean immediately.

For more information

- visit betterbathrooms.com
- email customerservices@buyitdirect.co.uk
- call 03303903062
- write to Trident Business Park, Neptune Way, Huddersfield, HD2 1UA

better 
bathrooms

Part of the BuyItDirect Group