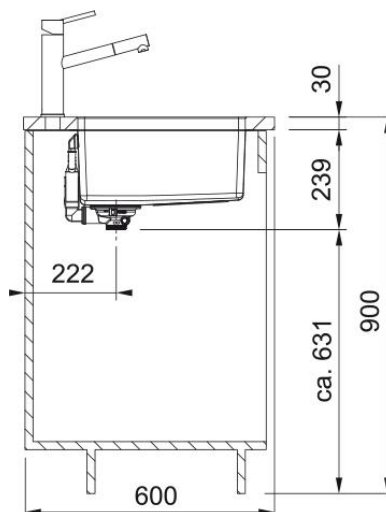


Maris MRX110-55. Stainless SteelSink | 122.0553.947



Technical Data

Product Information

| | |
|------------------|-------------------------|
| Sink type | Bowl (no drainer) |
| Type of material | Stainless steel |
| Number of bowls | 1 |
| Color | Steel |
| Finish | Stainless steel brushed |

Dimensions

| | |
|------------------------------|-------|
| External size: right to left | 590.0 |
| External size: front to back | 440.0 |
| Bowl 1 size: right to left | 550.0 |
| Bowl 1 size: front to back | 400.0 |
| Bowl 1: depth | 180.0 |

Installation

| | |
|----------------------|-------|
| Minimum cabinet size | 80 cm |
|----------------------|-------|

Product specifications

| | |
|---------------------|------------|
| Installation type | Undermount |
| Waste outlet | 3 1/2" |
| Position of drainer | No drainer |

Product Identification

| | |
|----------------|--------|
| Product brand | FRANKE |
| Product family | Maris |
| Model range | Maris |
| Approval logo | CE |
| Approval logo | UKCA |

Properties

| | |
|-----------------------|------------|
| Drainers number | No drainer |
| Product reversibility | No |
| Tap ledge | No |

| | |
|---------------------|-------------|
| Waste kit include | Yes |
| Waste kit type | Manual |
| Siphon included | No |
| Number of tap holes | No tap hole |
| Soap dispenser hole | No |