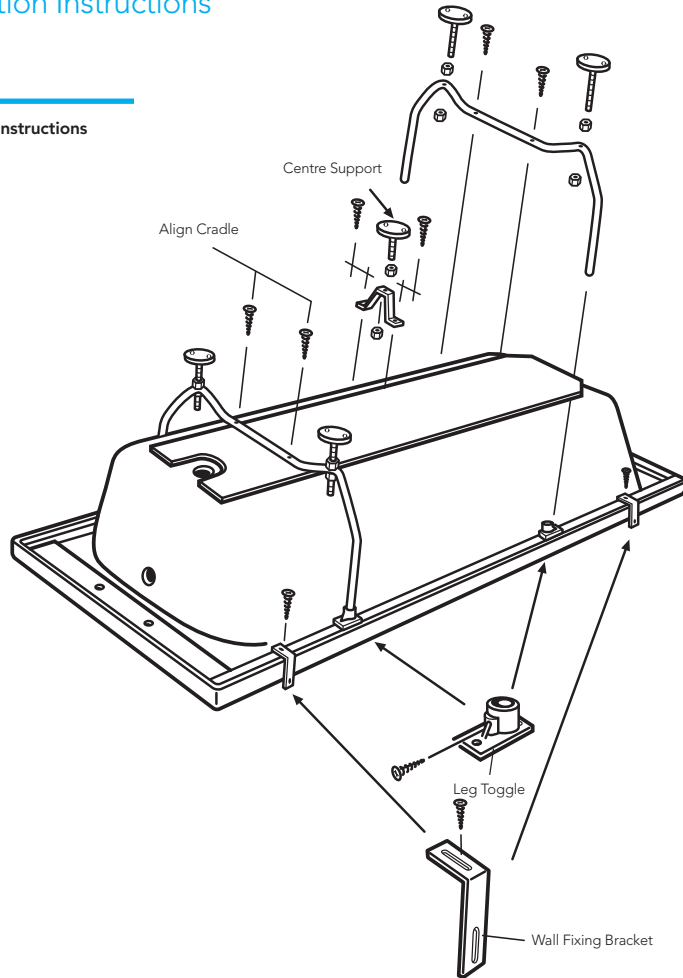


Bath Installation Instructions



Bath fitting instructions



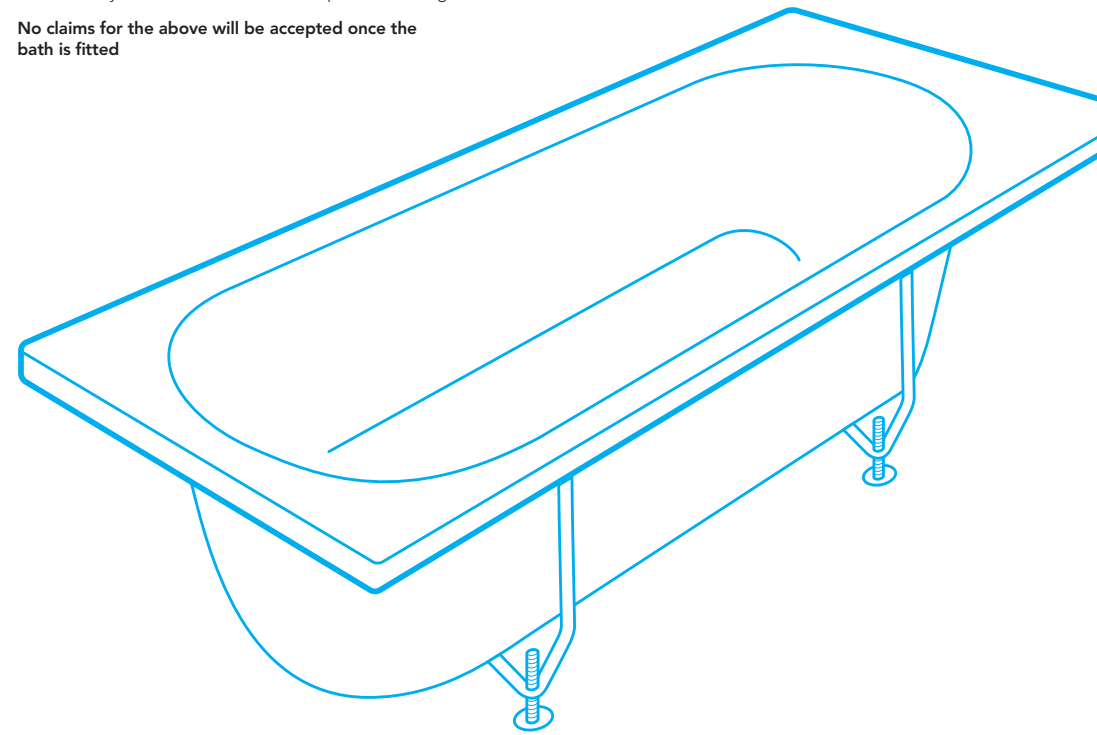
1. Remove all packaging including the polyethylene film, which covers the entire bath.
2. Check that colour match is acceptable and that there is no damage on the bath that may have occurred during transit. This can only be done if the film is removed completely.
3. Remove the two tubular cradle legs from the bath frame (keep the screws for instruction 5).
4. If required using the 23mm fixing screws attach the black housing socket to the bath frame.
5. Align the cradle and hand screw directly into the baseboard using the 32mm (1 ¼") screws from instructions 3. **YOU MUST CHECK THE SCREW LENGTH** – Should the bath have an 'H' frame fitted to the baseboard align and secure cradle to it. If the cradle stands proud of the baseboard it can be shortened using a hacksaw.
6. Once the cradles have been secured to the baseboard of the bath secure them into the legs toggles with the self tapping screw provided making sure the self tapping screw pierces the steel leg. This will be easier if pre-drilled with a 3.2mm bit.
7. Secure the adjustable M10 feet to the cradles using M10 nuts provided.
8. Secure the adjustable centre support using screw and nuts provided to the centre of the baseboard (or 'H' frame).
9. With the bath in the upright position set top face level using threaded adjustment of feet and lock-nuts. When a panel is to be fitted set bath height to height of panel.
10. **CHECK THAT THE BATH RIM IS LEVEL.**
11. Before the final fixing of the bath, fit tap and waste fittings using a suitable sealing compound. When complete place bath into position, re-check levels and make any final adjustments necessary. Finally secure the feet to the floor and the wall brackets to the wall. Movement may occur if not fitted correctly.

Quality Acrylic Baths
Manufactured in the UK

Bath Installation Instructions

- Prior to fitting your bath, carefully remove all the packaging and film from the bath and examine the bath for damage and suitability of colour match.
- Check the panel fit and match prior to installation.
- Note instruction 10 before final fixing.
- Any refixing costs or claims for wrong colour match, and/or any other faults will not be accepted after fixing.

No claims for the above will be accepted once the bath is fitted



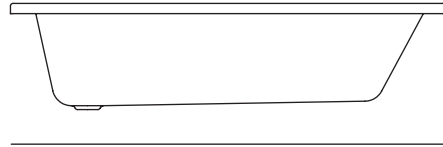
25
Year
Guarantee

Bath

Installation Instructions

Before you start

- Before fixing remove ALL protective covering and examine carefully. The polythene film must be removed in full and the bath checked for any visible damage.
- Unpack and check the product is complete and undamaged.
- Have the correct tools available.



Safety

- Handle bath with care.
- This Product is heavy and requires two people to carry.
- When drilling walls, check first for hidden pipes and cables.
- Use safety eyewear when drilling.
- Keep small parts away from children.

Tools required

Please remove all protective covering and examine carefully. Please notify the retailer immediately of any damage or faults. The manufacturer cannot be held responsible for any installation costs that may arise from damaged or faulty product being installed. The guarantee does NOT cover impact related damage. Please dispose all packaging with due regard to the environment.

<p>Spirit level</p>	<p>Screwdriver</p>	<p>Tape measure</p>
<p>Pencil</p>	<p>Junior hacksaw</p>	<p>Silicon gun & sealant</p>
<p>Power drill</p>	<p>Drill bit*</p> <p>3mm dia. HSS</p>	

* Ensure drill bit used is suitable for wall surface

Parts provided

<p>Pair of tubular cradles</p> <p>x1</p>	<p>Cradle housing socket</p> <p>x4</p>	<p>M10 Feet</p> <p>x4</p>
<p>M8 Foot</p> <p>x1</p>	<p>Centre foot bracket</p> <p>x1</p>	<p>M10 Nuts</p> <p>x8</p>
<p>M8 Nuts</p> <p>x2</p>	<p>Wall brackets</p> <p>x2</p>	<p>Transport screws/ Cradle securing screws (32mm)</p> <p>x4</p>
<p>Fixing screws (23mm) To attach cradle sockets (If required see instruction 4)</p> <p>x8</p>	<p>No.8 Domed self-tapping screws (16mm) To secure: - Centre foot bracket - Wall bracket - Cradle to socket</p> <p>x8</p>	

We have taken great care to ensure that this product reaches you in perfect condition. However should any parts be damaged or missing please contact your point of purchase. This does not affect your statutory rights. In addition if you require replacement parts your point of purchase will be happy to assist.

Single Over Bath Screen/Sail Over Bath Screen

INSTALLATION INSTRUCTIONS

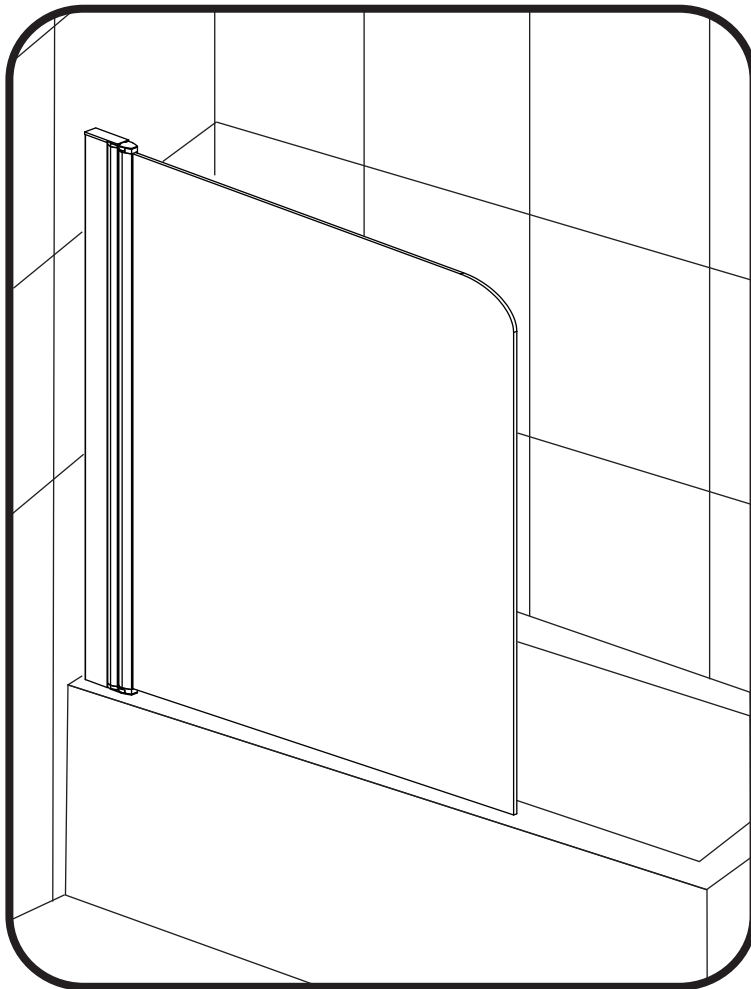
www.aquadart.co.uk

Item Number: AP9351S/AP9353S

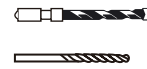
Lifetime Product Guarantee

To activate your Product Guarantee please visit www.aprilproducts.co.uk and complete the online form.

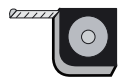
Tools Required



Drill



6mm Masonry Drill
2.75mm HSS Drill



Tape Measure



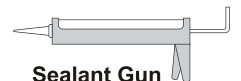
Spirit level



PH2 TYPE
Screwdriver



Pencil



Sealant Gun

Please note hand tools **NOT** supplied.

IMPORTANT

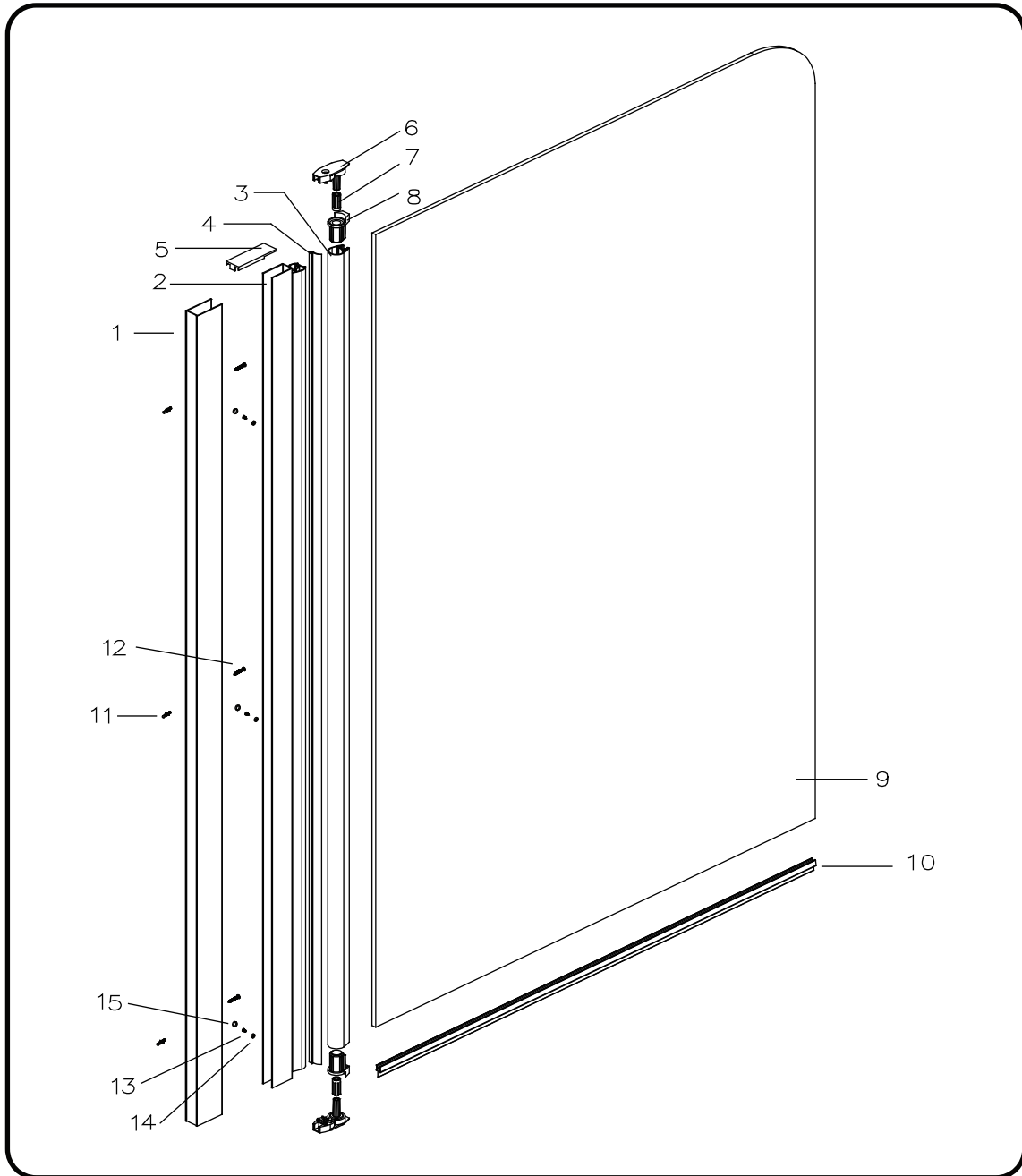
This product should be installed by a suitably qualified and proficient person. The fitting instructions should be followed carefully to ensure a proper and safe installation. Failure to follow these instructions could result in future injury.

These instructions and list of parts assume that installation is done against solid/tiled walls.

Please check this product for damage prior to starting the installation. No claims can be made after the product has been fitted.

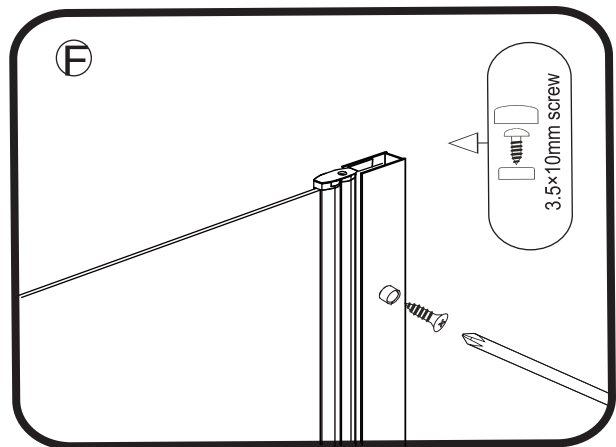
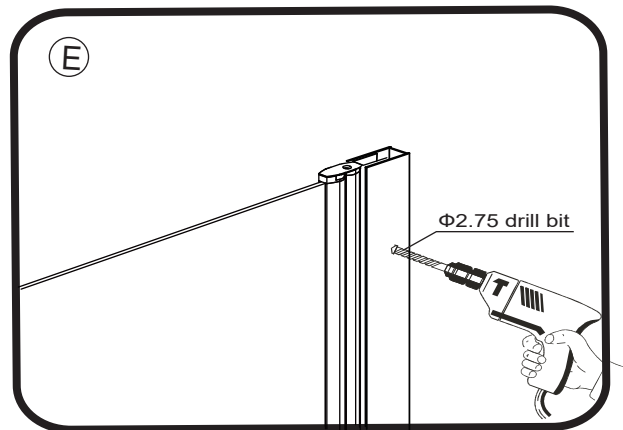
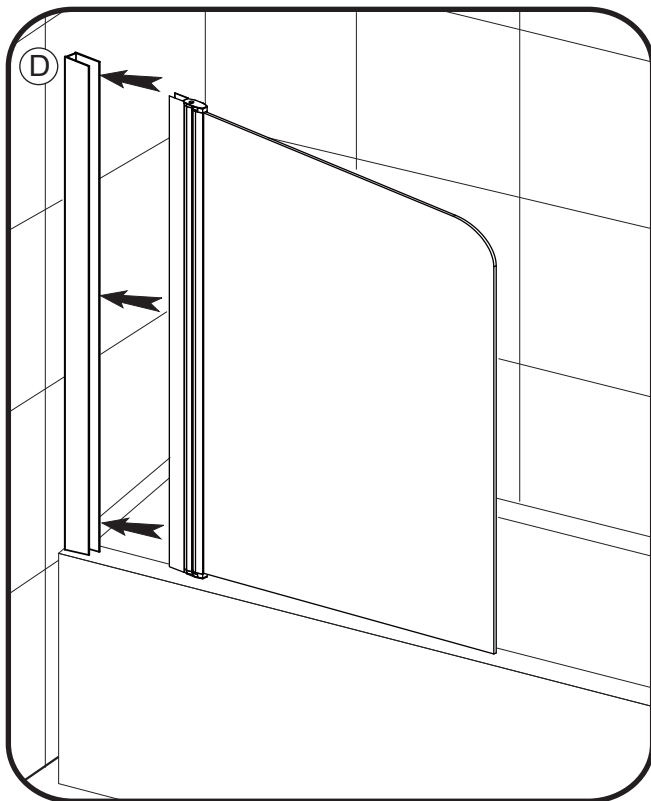
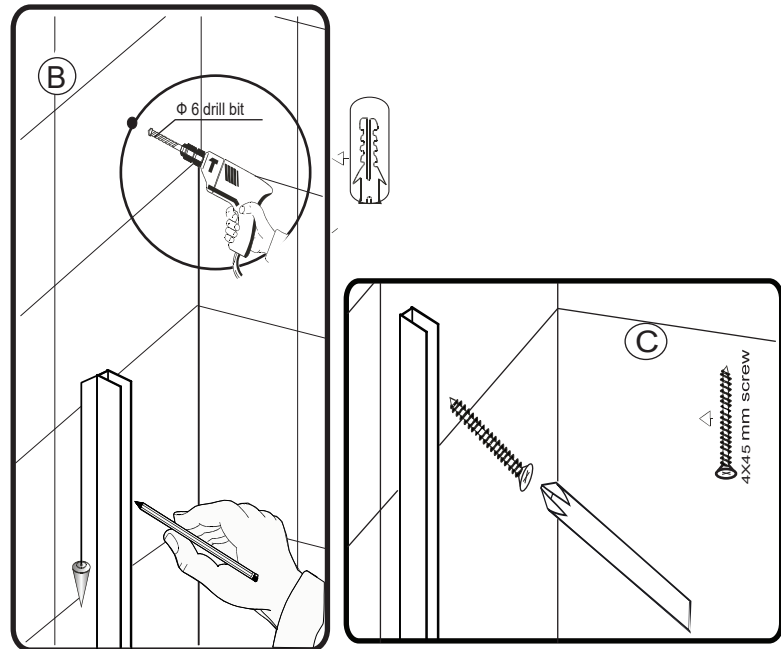
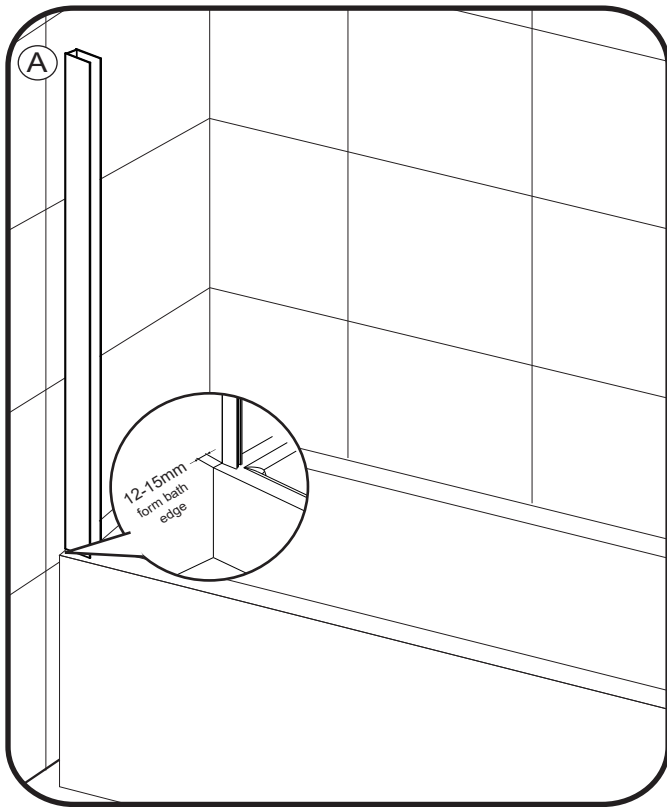
PLEASE NOTE :The minimum and maximum adjustment sizes noted on the product brochures are based on perfectly plumb walls and trays.

COMPONENTS AND BOX CONTENTS



Box Contents

SN	Description	Qty	SN	Description	Qty
1	Wall profile	1	9	Moving panel	1
2	Upright profile	1	10	Bottom seal	1
3	Frame profile	1	11	Wall plug	3
4	Vertical seal	1	12	Screw ST4 x 30	3
5	Profile Top cap	1	13	Screw ST3.5 x 10	3
6	Pivot part 1	3	14	Cap	3
7	Pivot part 2	3	15	Screw cover cap	3
8	Pivot part 2	1			



Step 1: Position the wall profile (1) onto the bath , approximately 12-15mm from the outside bath edge to ensure that the screen runs along the inside edge of the bath rim. (A).

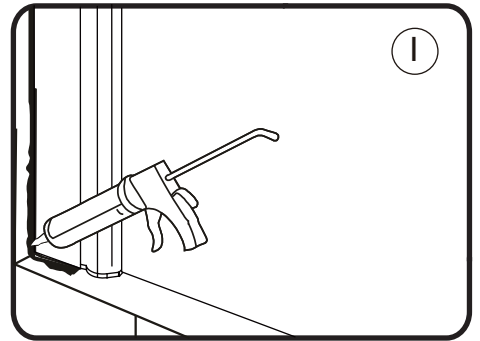
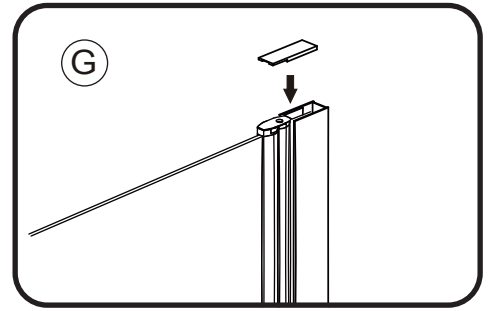
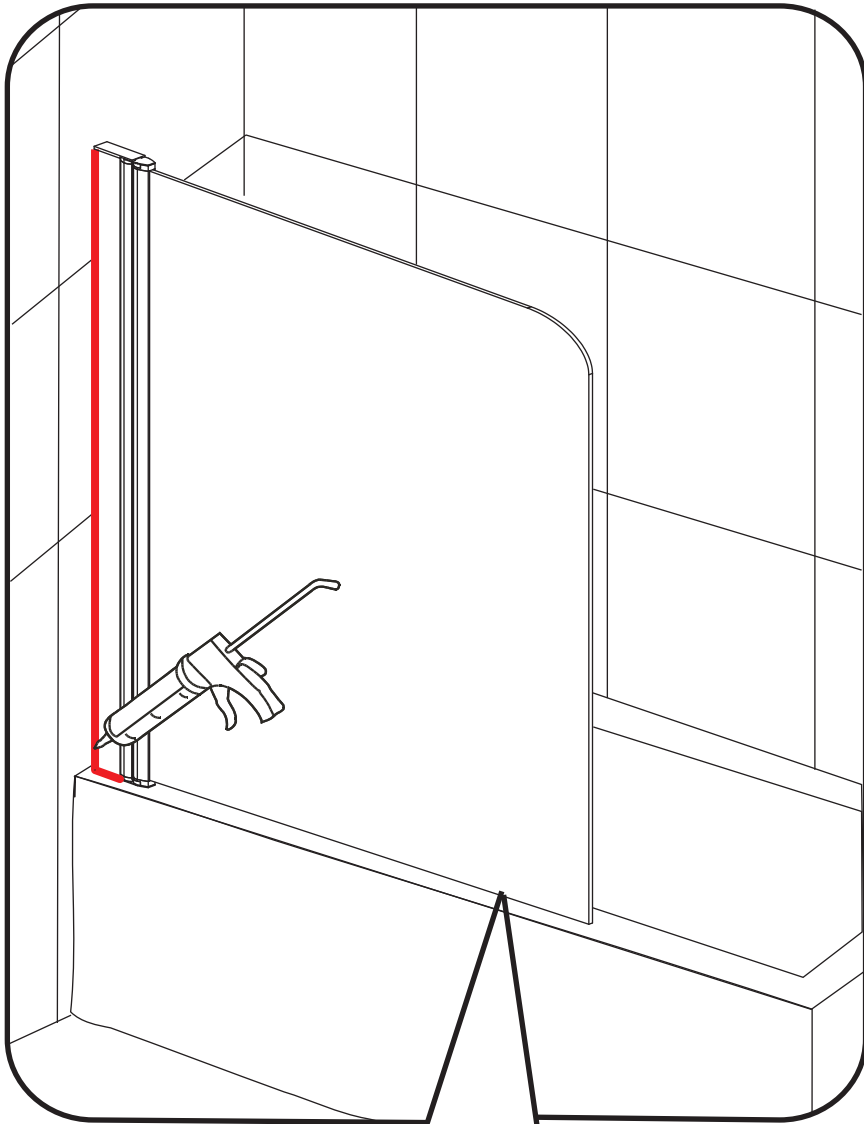
Step 2: Level the profile with a spirit level , then mark the position using a pencil. Mark through the 3 pre-drilled screw holes in the wall profile then drill the marked points using a 8mm masonry drill bit ,once this is done insert 3 wall plugs (11) into the wall holes (B).

NOTE : You may find it easier to mark and drill the wall if you apply masking tape to it first.

Step 3: Secure the wall profile using 3 x ST4X45 screws (12). (C)

Step 5 : Carefully position the screen into the wall profile. (D)

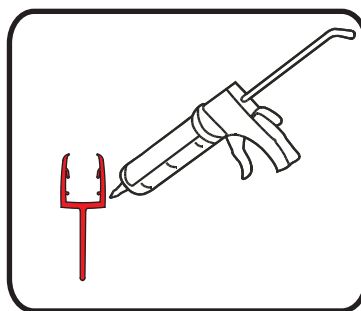
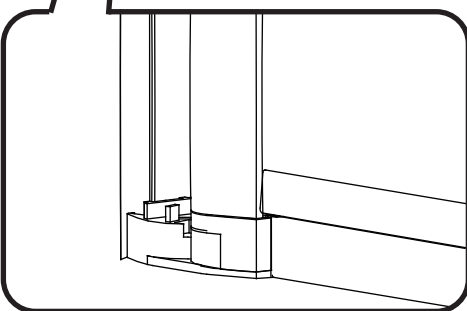
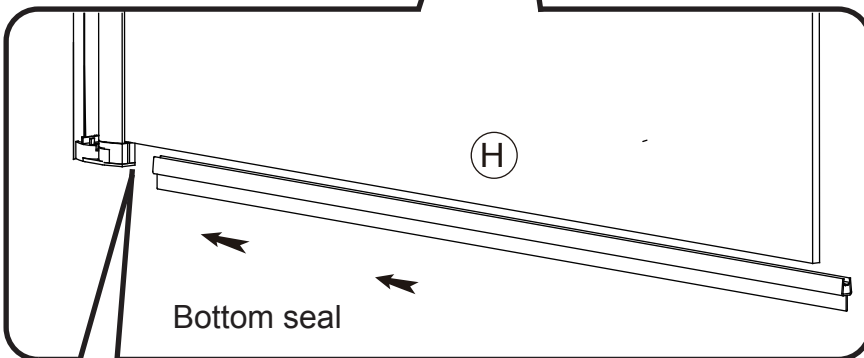
Step 6 : Secure to the wall profile using 3 x ST3.5X10 screws (13) and cover caps (14,15) (E,F)



Silicone the outside of the vertical wall post and also the outside of the bottom of the wall post as shown.

Allow 24 hours before use for silicone to set .

For cleaning instructions see guarantee .



NOTE : To ensure a watertight seal ensure the bottom seal (10) is fully inserted into the base of the hinge as per the above diagram.

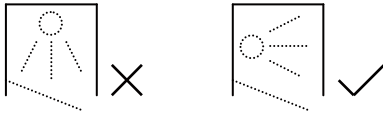
AFTERCARE

Cleaning Instructions

It is important to clean your Aquadart shower enclosure after every use. Please wipe down all glass and metal parts with a clean soft cloth. Ensure that all residual water on the glass is removed after every use.

Usage

For reliable, watertight performance from your Aquadart enclosure your shower head should not be positioned so that the shower sprays directly onto the enclosure door. Failure to comply with this may cause the shower to leak. Outward opening doors may cause water to drip onto the floor, please ensure that the floor covering immediately outside the enclosure will not be affected by water.



This product has been treated with Clean & Clear™ easy clean glass treatment, a protective barrier which creates a 'non-stick' surface on your glass, helping to resist lime scale build up and water spots. For further information on Clean & Clear™ please visit www.aquadart.co.uk

Aftercare

Clean & Clear™ glass can be cleaned with any suitable nonabrasive glass cleaner - with PH value of between 3-11; the coating will not be damaged. Avoid surfactants and heavily perfumed products. Vinegar and water based products are very effective. Do not use abrasive scrubbing cleaners or equipment for cleaning.

Warranty

Limited 5 year Warranty for Clean & Clear™ treatment: To guarantee treated surfaces will remain more repellent than untreated glass for 5 years from start of use, as long as basic manufacturer maintenance recommendations are followed and no harsh or abrasive cleaners are used.