

BeBa-26055 ~ BeBa-26058

BeBa-26062 ~ BeBa-26065

BeBa-26069 ~ BeBa-26076

BeBa-26766 & BeBa-26770

The micro protective layer formed during its application will make the water bead along the glass for easy maintenance.

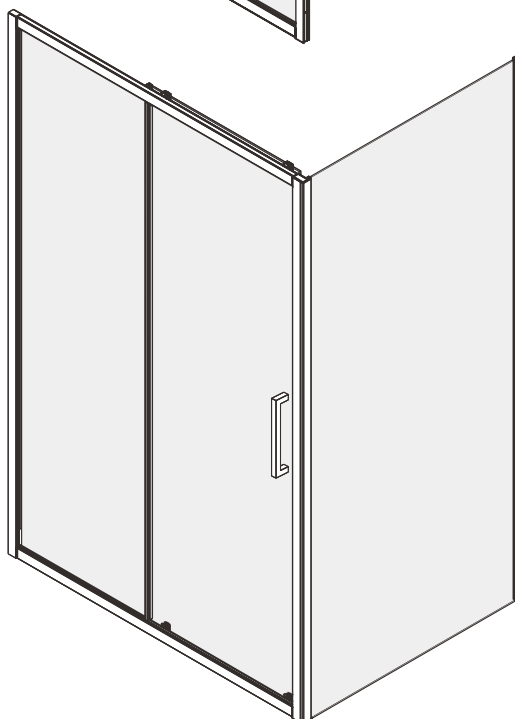
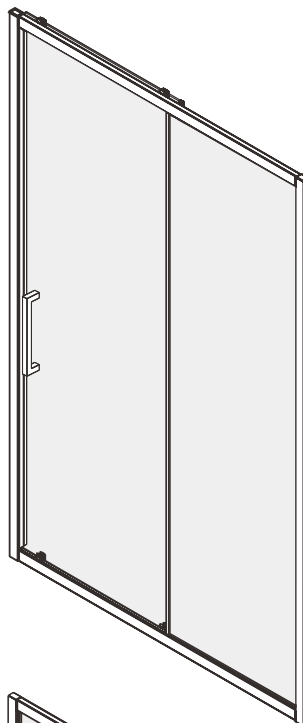
We recommend cleaning the door with the squeegee after each use.

#### THE MAINTENANCE OF YOUR SHOWER

Never use of powder or scouring pads. Simply clean the door with a solution of water and vinegar, 1 to 5. You can use a mild detergent but never use ammoniac, it could damage the glass surface.

#### REVERSIBLE DOOR

Les instructions montr é s au manuel sont pour le montage de la porte droite.  
The instructions shown in the manual is for the installation of the right door.



## INSTALLATION MANUAL

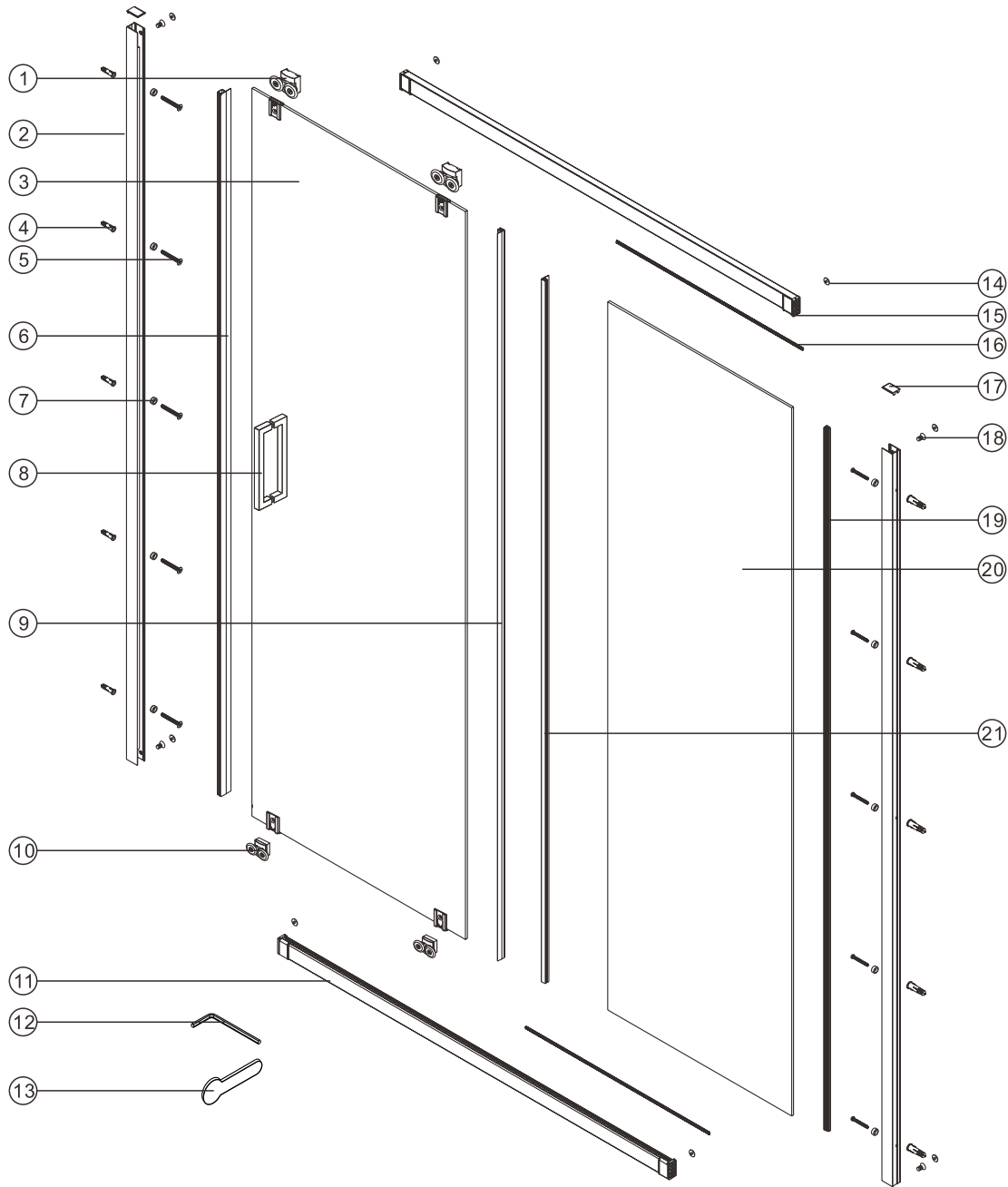
### IMPORTANT

- Thoroughly inspect your product before proceeding with the installation.
- The warranty will be void if the product is installed with a conspicuous defect.
- Before commencing drilling please check that no pipes or cables can be damaged.
- As part of the installation process the shower tray must be tiled down onto, not behind.

### CAUTION

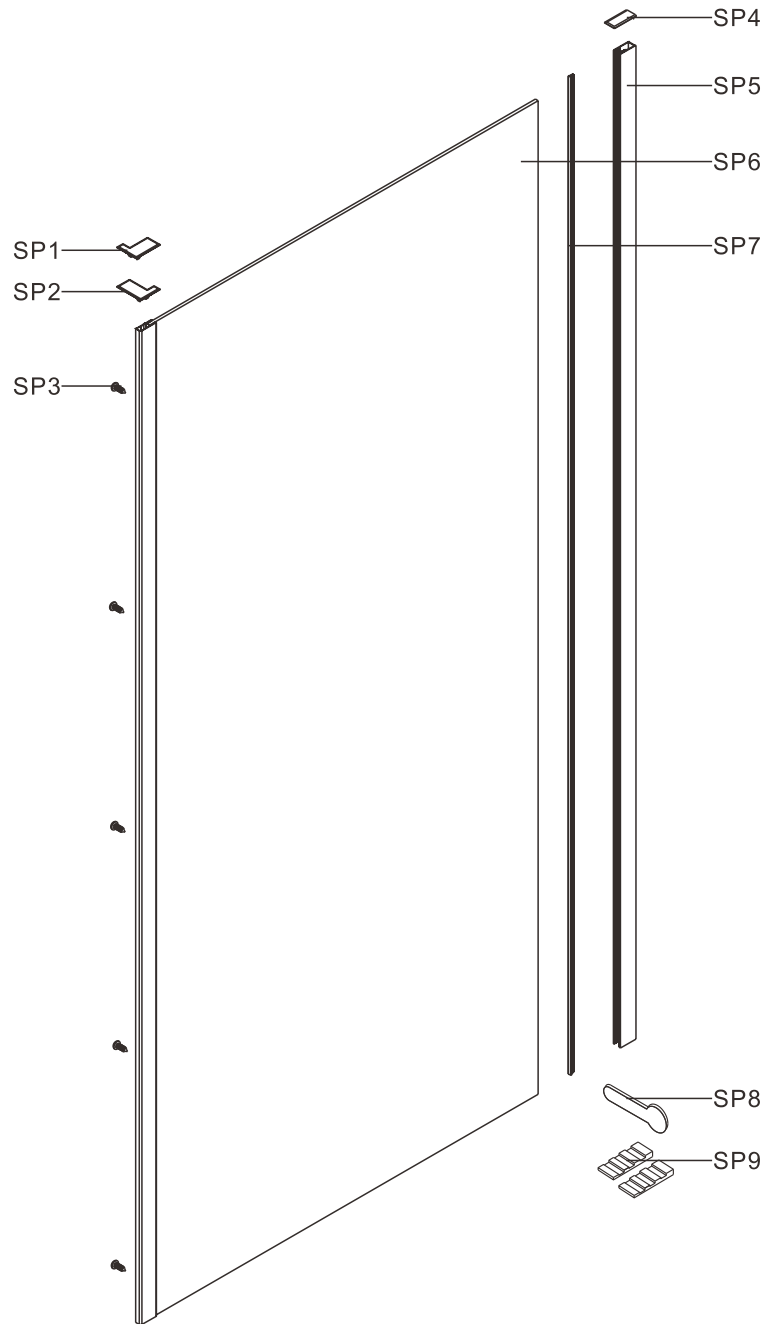
- To prevent leaks, silicone must be applied on the outside of the shower and not on the inside!
- Read all instructions carefully before starting the installation.
- Save this manual for future reference.

# PARTS LIST



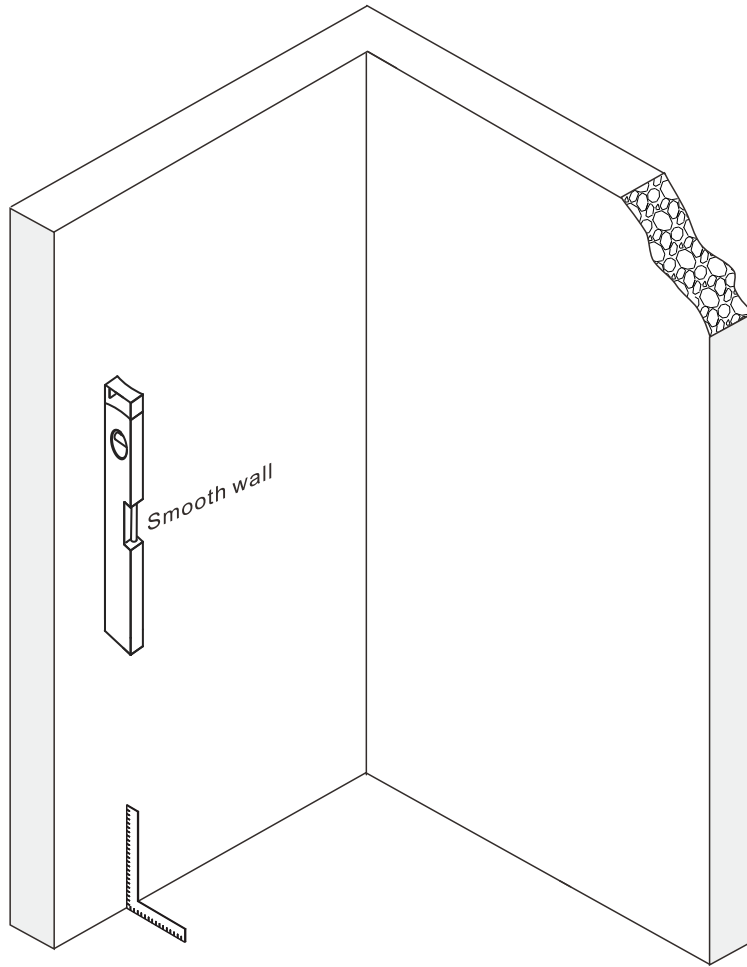
| NO | Qty | Description            | NO | Qty | Description            |
|----|-----|------------------------|----|-----|------------------------|
| 1  | 2   | Top roller             | 12 | 1   | Allan key kit          |
| 2  | 2   | Wall profile           | 13 | 1   | Installation tool      |
| 3  | 1   | Moving door            | 14 | 8   | Screw cap              |
| 4  | 10  | Wall anchor            | 15 | 1   | Top rail               |
| 5  | 10  | Screw ST4x40           | 16 | 2   | Squeeze gasket         |
| 6  | 1   | Wall profile gasket    | 17 | 2   | Profile cap            |
| 7  | 10  | Screw base             | 18 | 4   | Screw M4x10            |
| 8  | 1   | Handle                 | 19 | 1   | Wall profile gasket    |
| 9  | 1   | Water-retaining gasket | 20 | 1   | Fixed glass            |
| 10 | 2   | Bottom roller          | 21 | 1   | Water-retaining gasket |
| 11 | 1   | Bottom rail            |    |     |                        |

# PARTS LIST

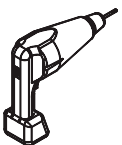


| NO  | Qty | Description           | NO  | Qty | Description             |
|-----|-----|-----------------------|-----|-----|-------------------------|
| SP1 | 1   | Corner profile cap L  | SP6 | 1   | Return panel assembling |
| SP2 | 1   | Corner profile cap R  | SP7 | 1   | Squeeze gasket          |
| SP3 | 5   | Screw ST4 x 10        | SP8 | 1   | Installation tool       |
| SP4 | 1   | Channel cap extrusion | SP9 | 2   | Glass Wedge spacer      |
| SP5 | 1   | Chrome Wall Channel   |     |     |                         |

# PREPARATION



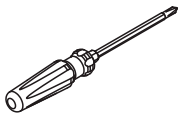
## TOOLS AND MATERIALS REQUIRED



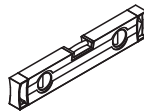
PERCEUSE  
DRILL



VIS  
SCREWS



TOURNEVIS  
SCREWDR



NIVEAU  
LEVEL



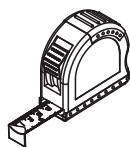
COUTEAU DE PRECISION  
PRECISION KNIFE



SILICONE  
SILICONE



FORETS: 1/8", 3/16" ET 1/4"  
\*FORET À MAÇONNERIE  
DRILL BITS: 1/8", 3/16" ET 1/4"  
\*MASONRY DRILL BIT



RUBAN À MESURER  
MEASURING TAPE



ÉQUERRE  
SET SQUARE



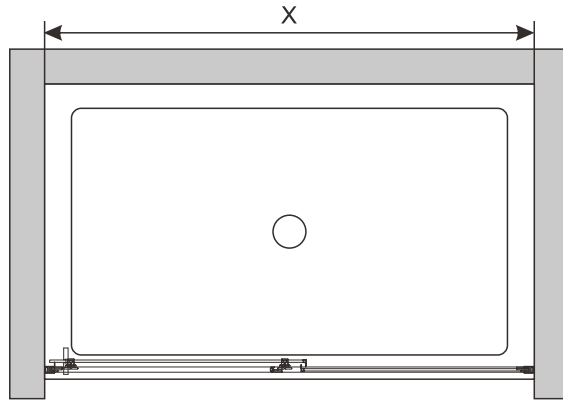
CRAYON  
PENCIL



MAILLET  
MALLET

# CONTINUED

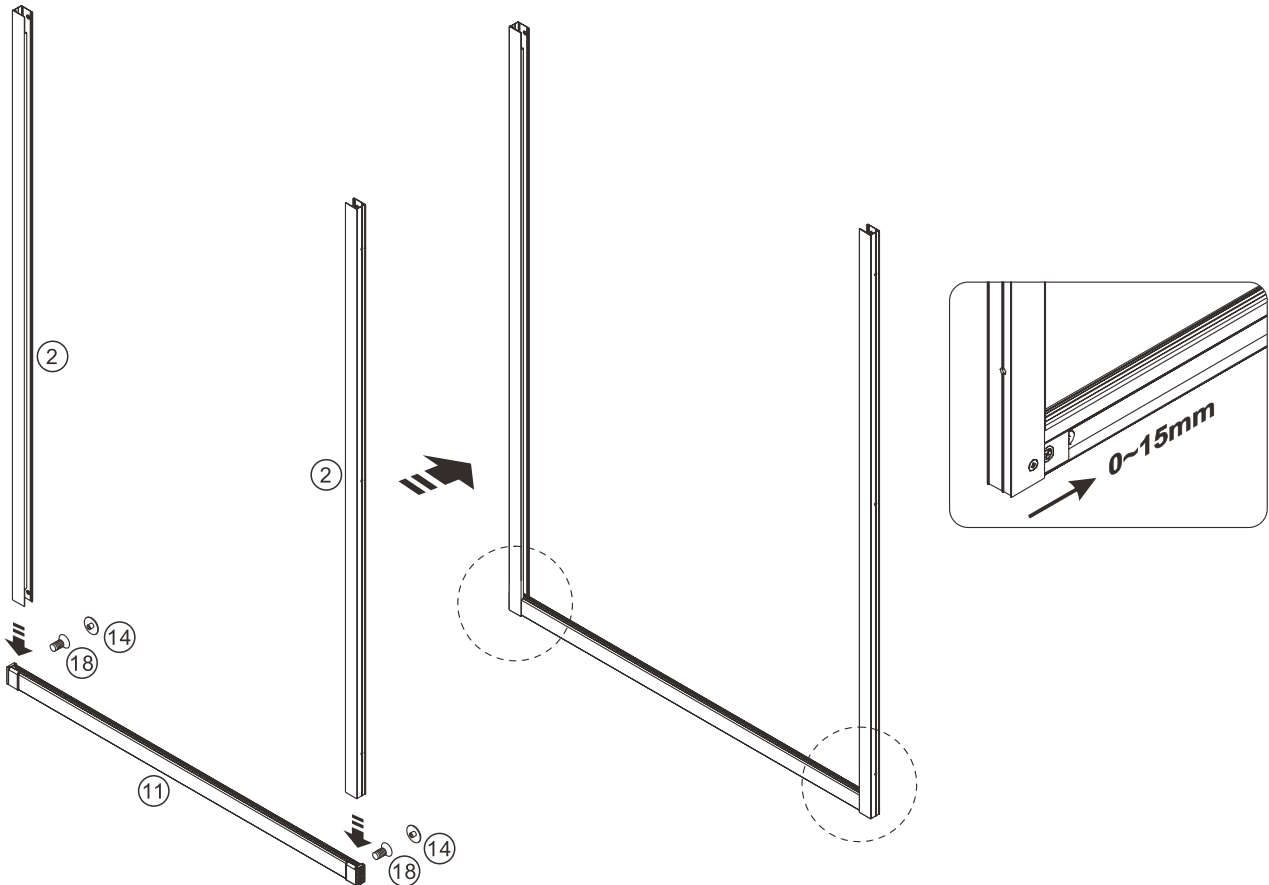
**A** 01



| Size | X,mm        |
|------|-------------|
| 1000 | 950 ~ 980   |
| 1100 | 1050 ~ 1080 |
| 1200 | 1150 ~ 1180 |
| 1400 | 1350 ~ 1380 |

# CONTINUED

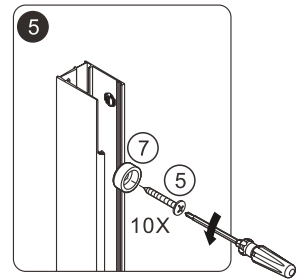
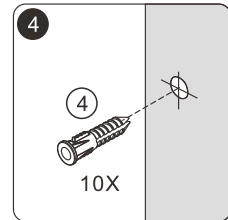
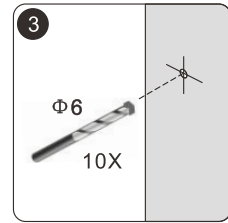
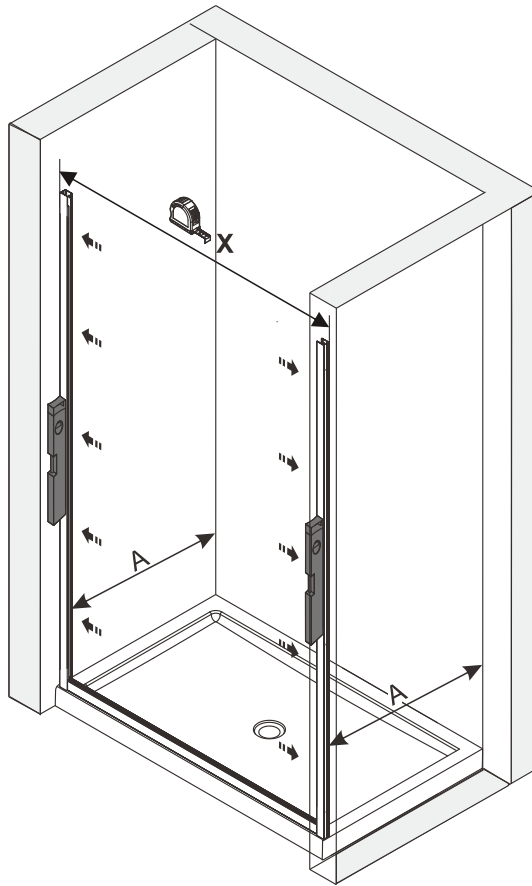
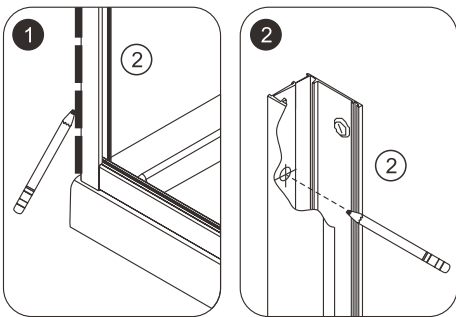
**A** 02



# CONTINUED

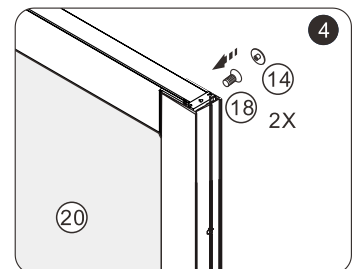
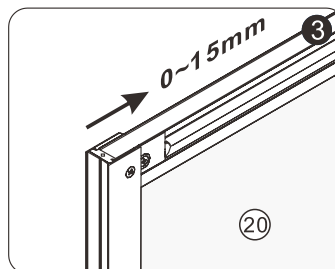
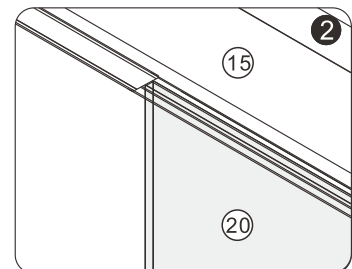
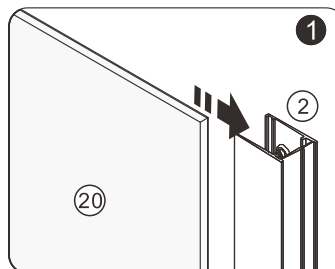
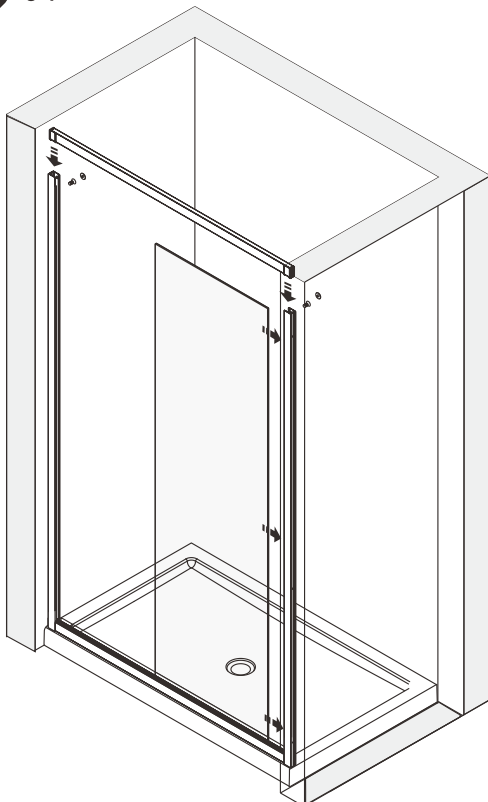
**A** 03

| Size | X,mm        |
|------|-------------|
| 1000 | 950 ~ 980   |
| 1100 | 1050 ~ 1080 |
| 1200 | 1150 ~ 1180 |
| 1400 | 1350 ~ 1380 |



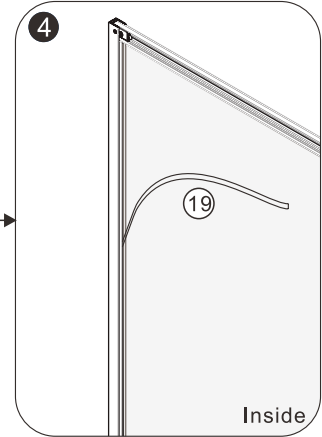
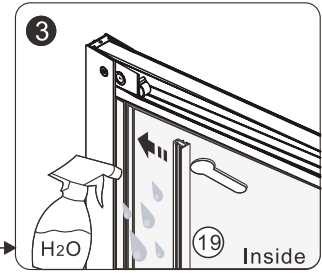
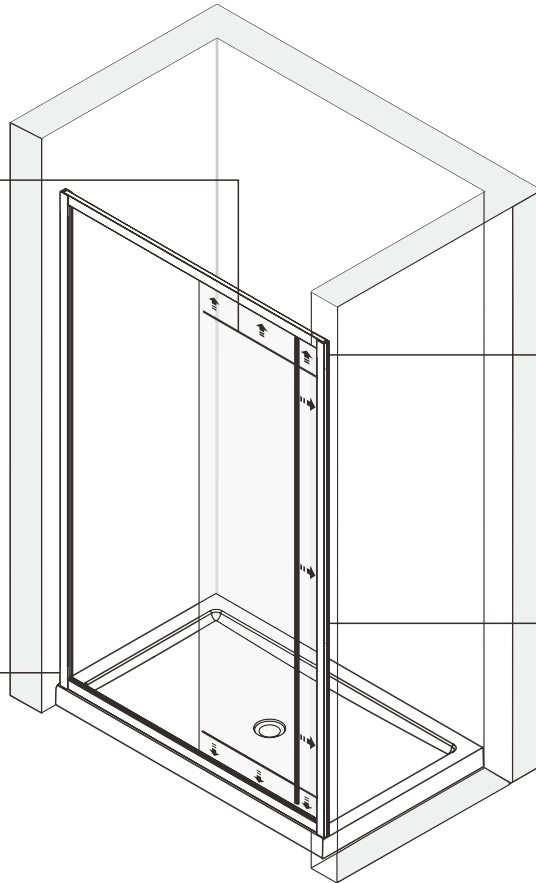
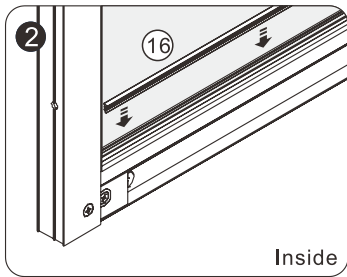
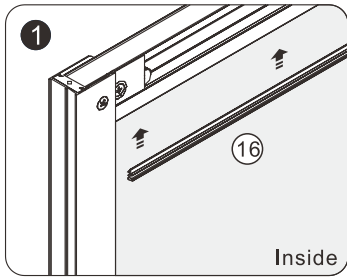
# CONTINUED

**A** 04



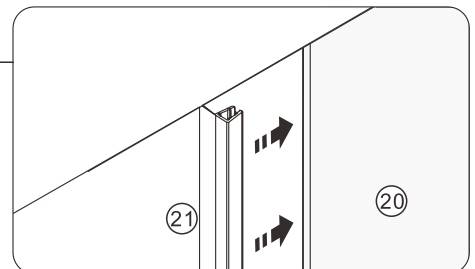
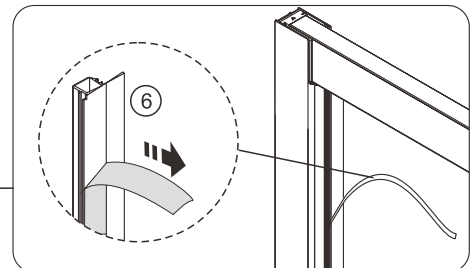
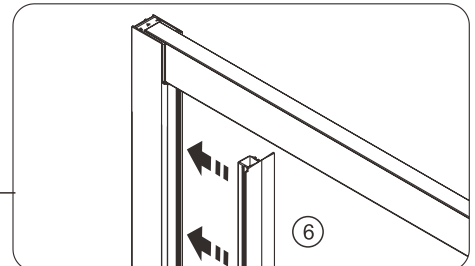
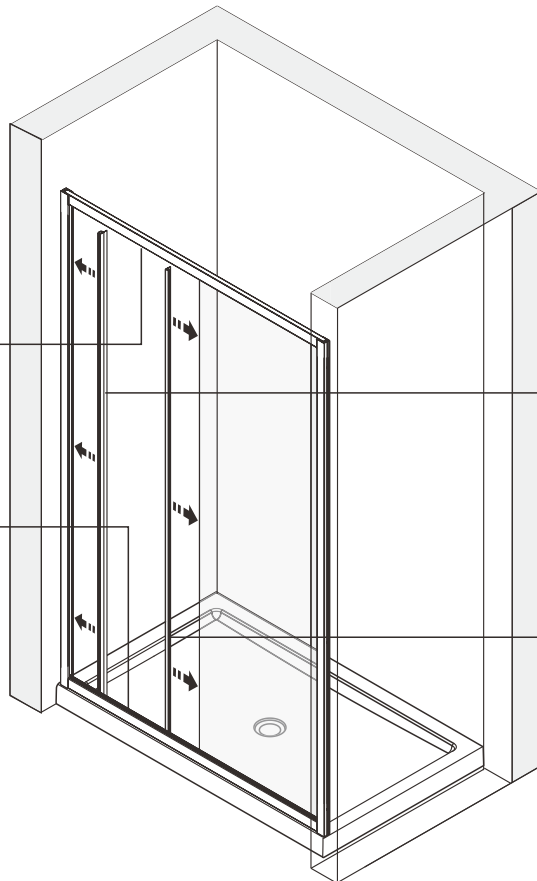
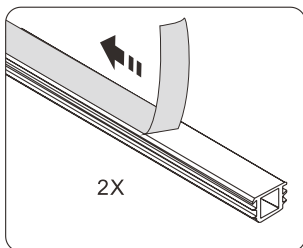
# CONTINUED

**A** 05



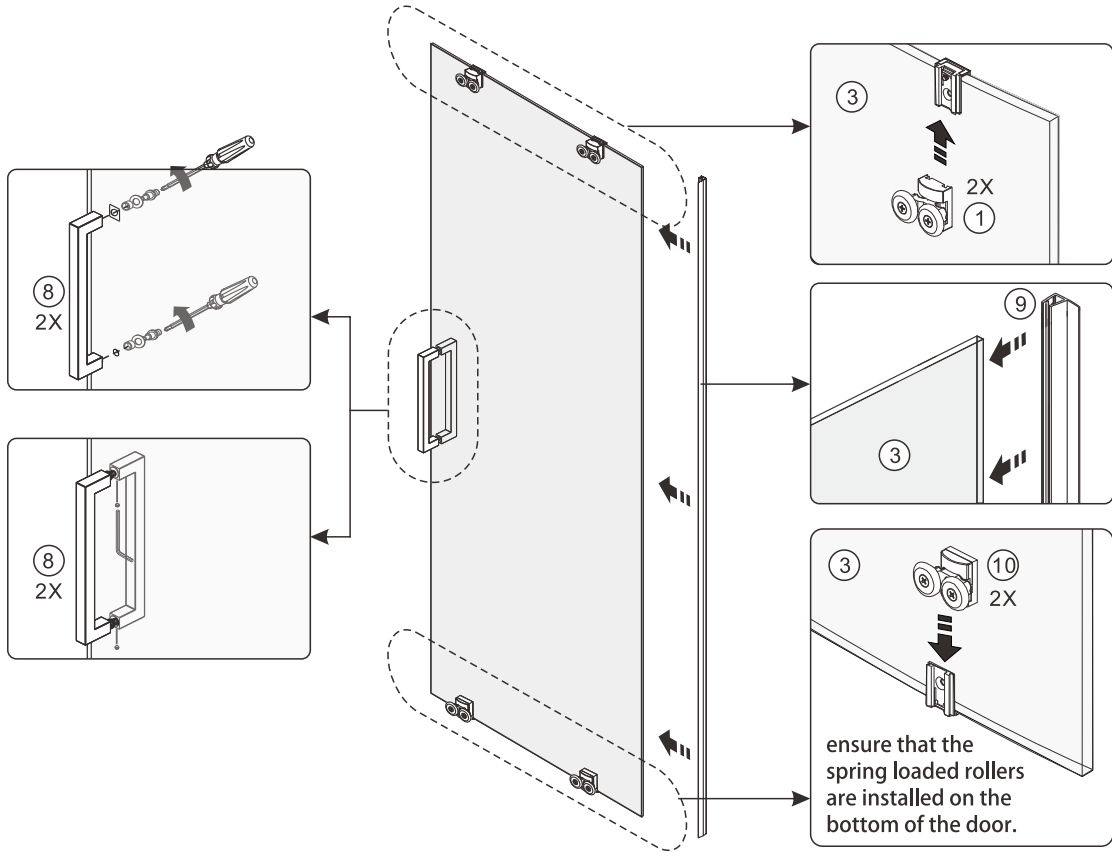
# CONTINUED

**A** 06



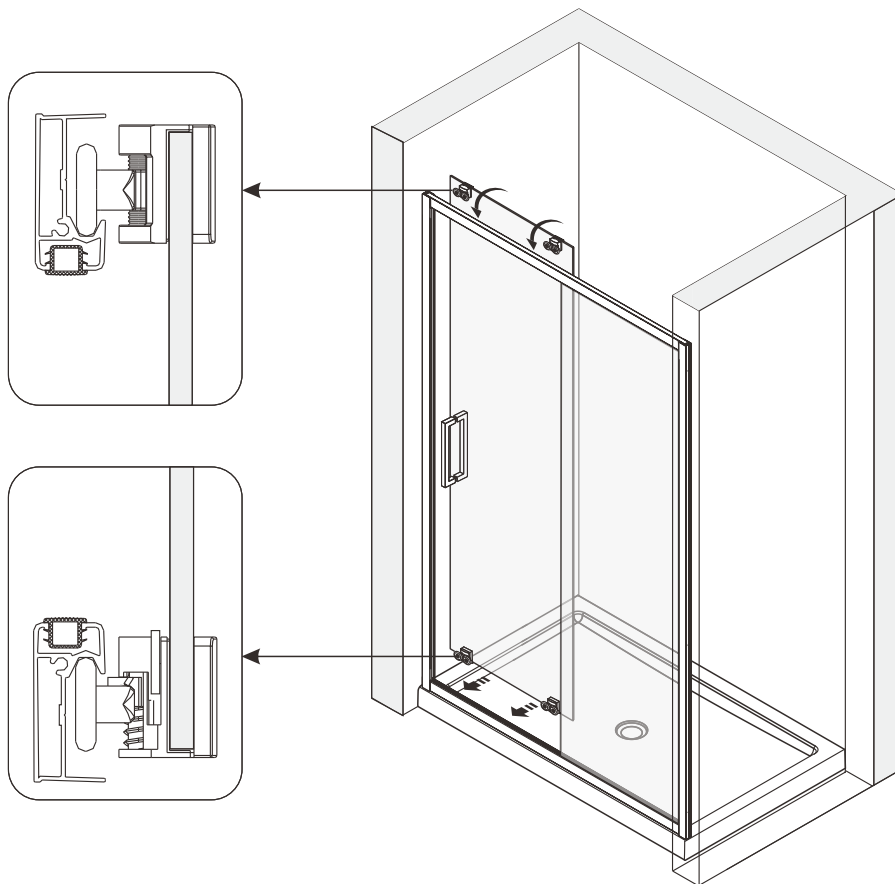
# CONTINUED

**A** 07



# CONTINUED

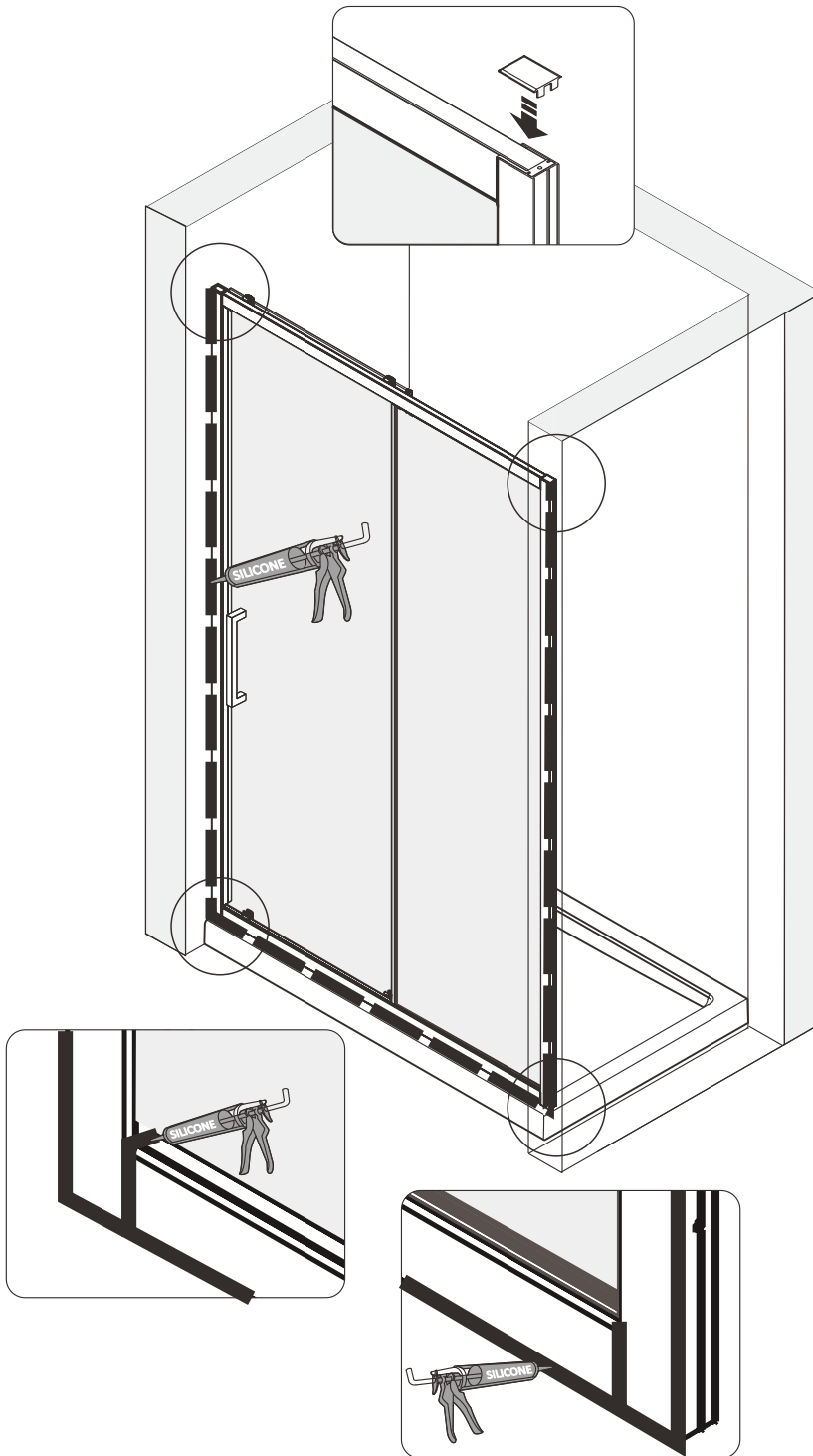
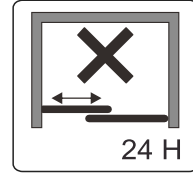
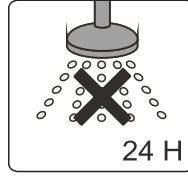
**A** 08





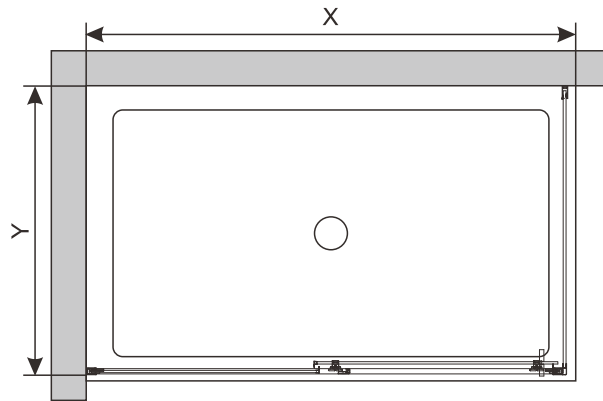
CONTINUED

A 09



# CONTINUED

**B** 01

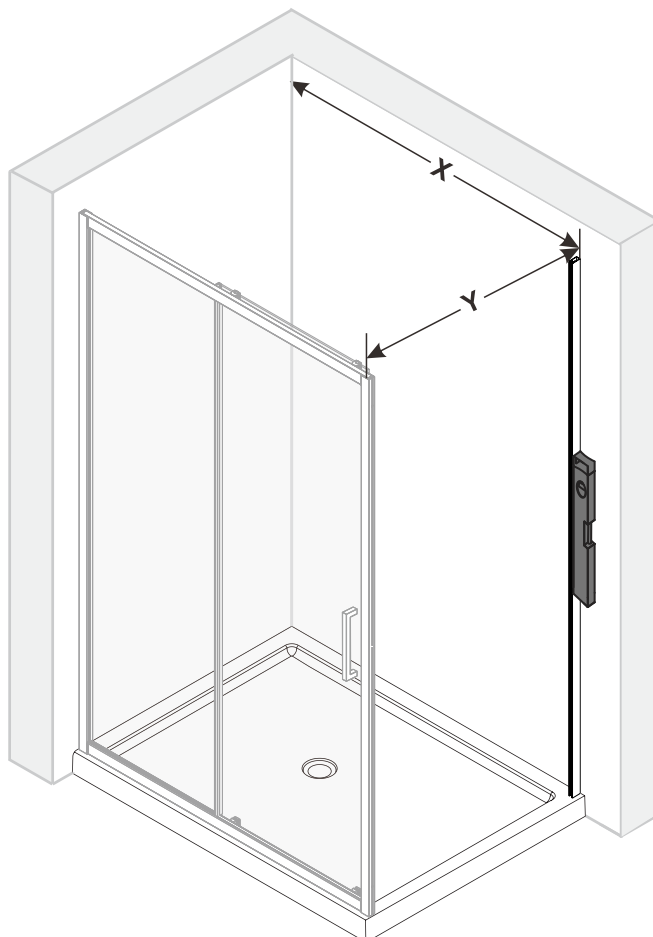
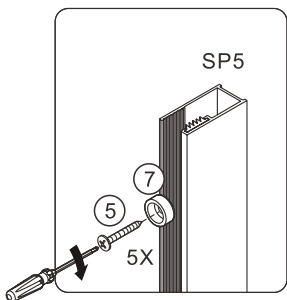
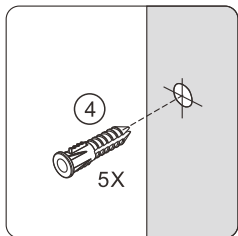
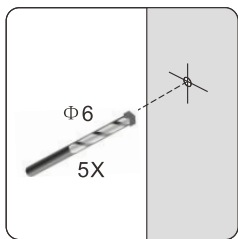


| Size | X,mm        |
|------|-------------|
| 1000 | 950 ~ 980   |
| 1100 | 1050 ~ 1080 |
| 1200 | 1150 ~ 1180 |
| 1400 | 1350 ~ 1380 |

| Size | Y,mm      |
|------|-----------|
| 700  | 678 ~ 690 |
| 760  | 738 ~ 750 |
| 800  | 778 ~ 790 |
| 900  | 878 ~ 890 |

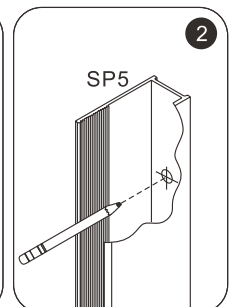
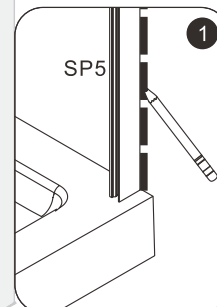
# CONTINUED

**B** 02



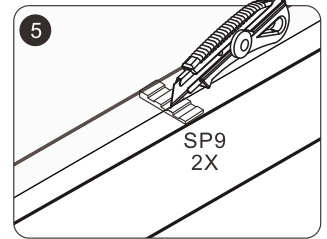
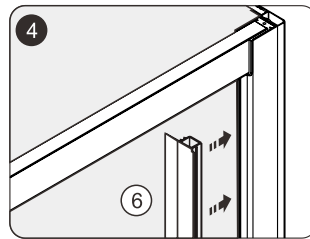
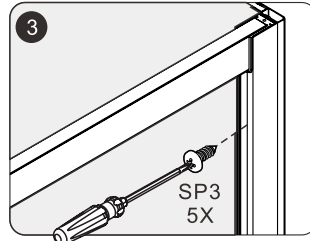
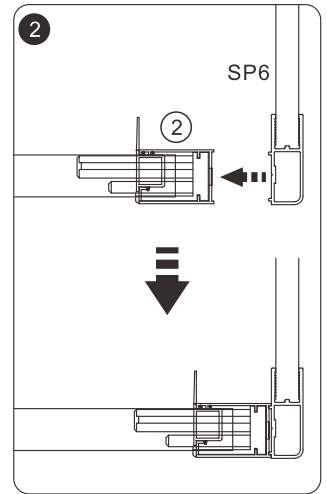
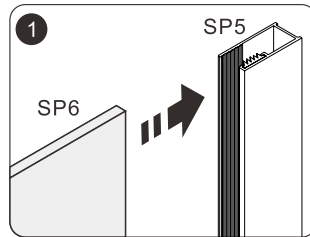
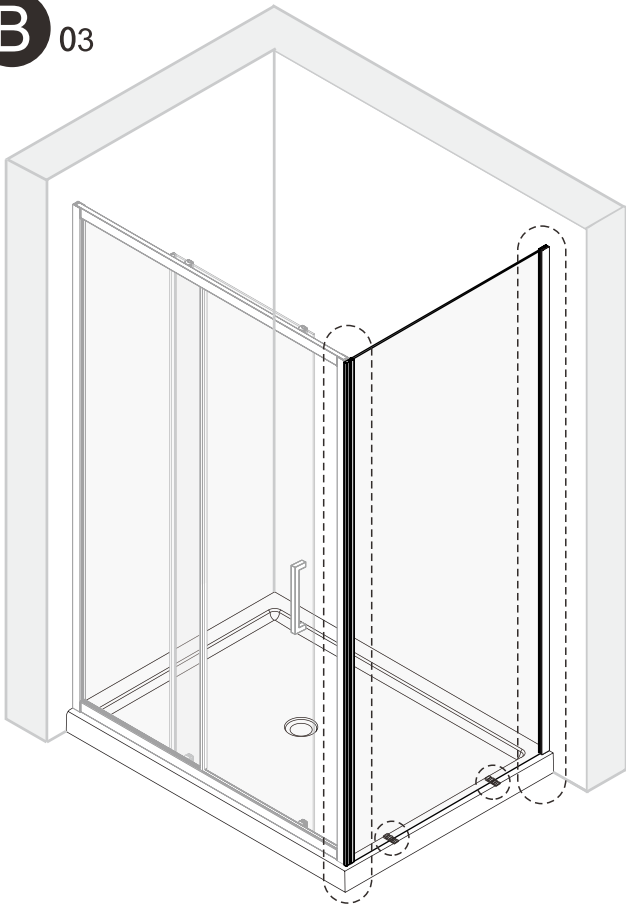
| Size | X,mm        |
|------|-------------|
| 1000 | 950 ~ 980   |
| 1100 | 1050 ~ 1080 |
| 1200 | 1150 ~ 1180 |
| 1400 | 1350 ~ 1380 |

| Size | Y,mm      |
|------|-----------|
| 700  | 678 ~ 690 |
| 760  | 738 ~ 750 |
| 800  | 778 ~ 790 |
| 900  | 878 ~ 890 |



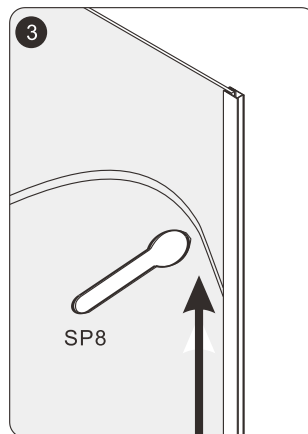
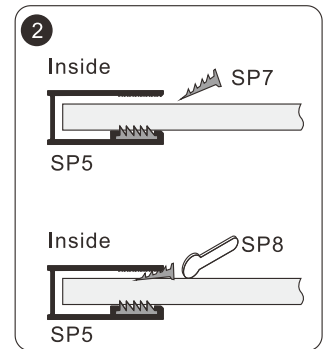
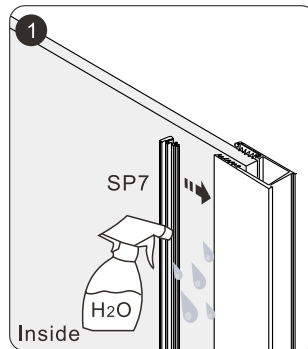
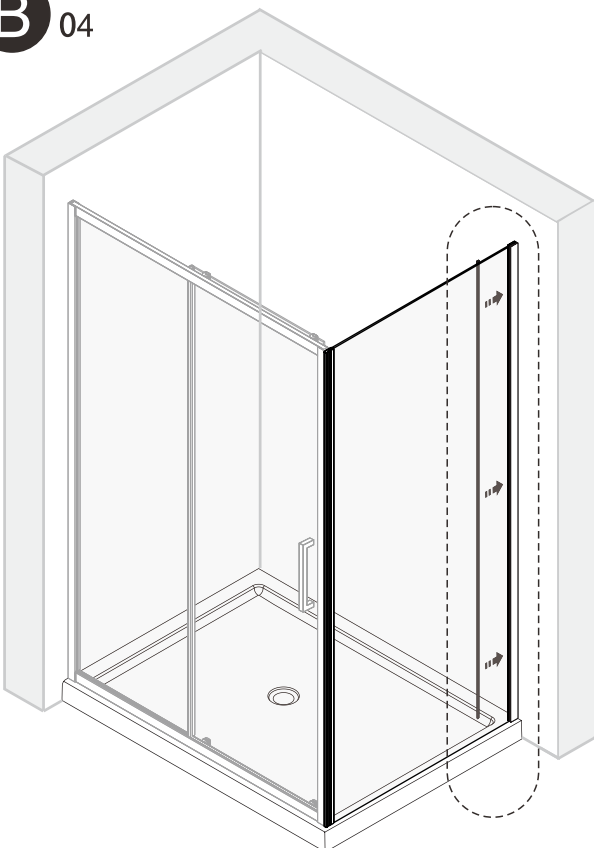
CONTINUED

**B** 03



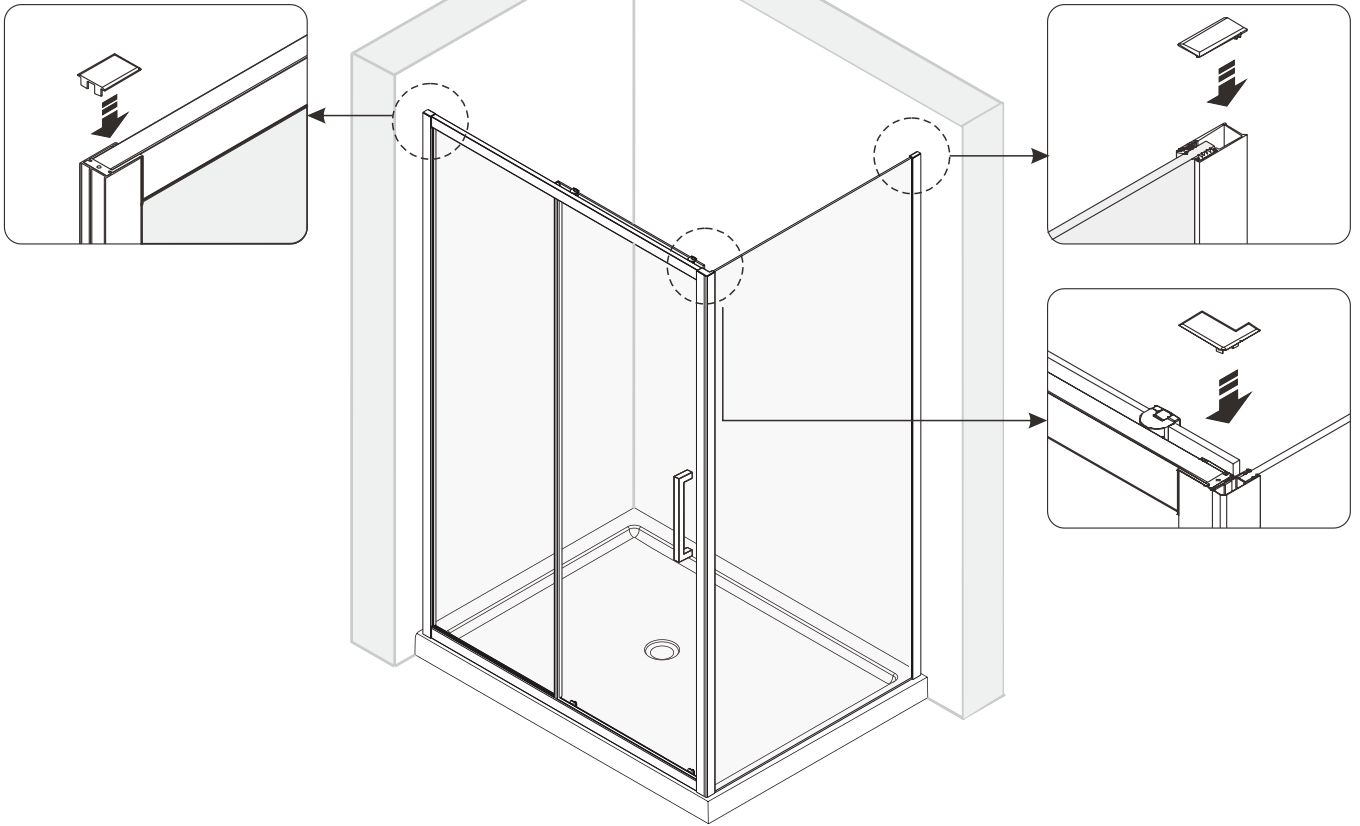
CONTINUED

**B** 04



# CONTINUED

**B** 05



# CONTINUED

**B** 06

