

USER MANUAL

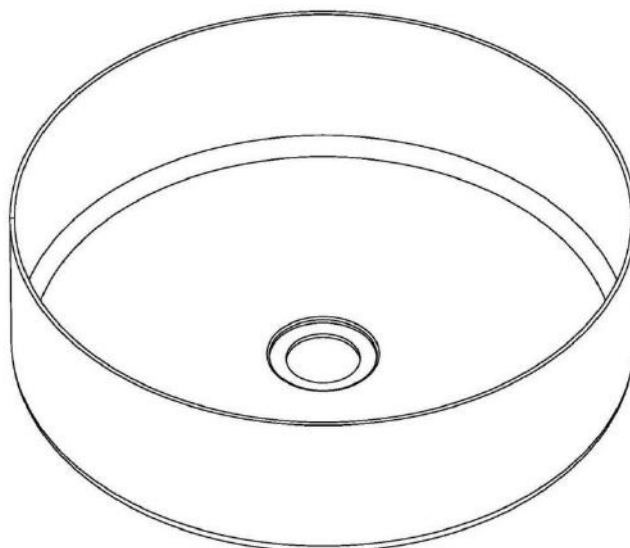


Thank you for choosing Better Bathrooms.
Please read this manual before installing your product
and keep for future reference.

better 
bathrooms

Product name – Matt Black Round Basin/Brushed Brass
Round Basin/Brushed Gun Metal Round Basin

Product code - BeBa_27398/BeBa_27399/BeBa_27400



- **Single-person assembly**
- **Tools required**
- **We always recommend using professional tradespeople to install your product**

V2_07.09.2021

Congratulations on your purchase

And welcome to our growing gang of savvy shoppers

We're on a mission to bring you extraordinary bathroom products, for less. From modern to traditional style ceramics, plus the gorgeous fixtures, fittings and furniture to match. So, you can fall in love with your space every single day.

As one of the UK's largest independent bathroom stores, we've received countless awards; including the National Business Awards UK, the Digital Entrepreneur Awards and being placed on The Sunday Times Fast Track 100.

We hope your new product goes above and beyond your expectations. However, should any problems occur, please:

- log in to your account and contact our customer services team via your self-serve portal – betterbathrooms.com/Account/Login
- contact us via betterbathrooms.com/content/contact-us

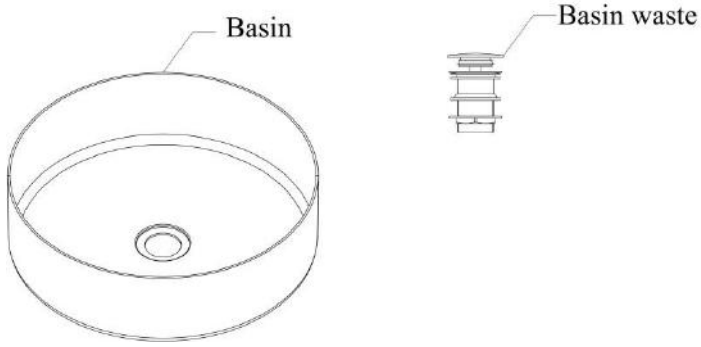
Important information

- . Observe all local plumbing and building codes.
- . Inspect the waste and supply tubing, replace if necessary.
- . Prior to installation, unpack the new basin and carefully inspect it for damage. Return the basin to its protective carton until you are ready to install it.
- . For replacement installation, make sure the existing cutout is the same or smaller size as the new basin.
- . Make the correct size cutout as per dimension drawing provided.
- . The product complies with EN 14688 : 2015+A1 : 2018.

NOTE:

Your basin does not include an overflow, therefore please ensure the plug is always left open and tap is turned off when not in use to prevent any potential water spillage.

Parts / Diagrams

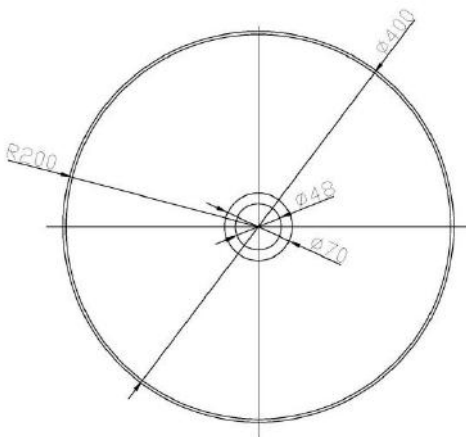
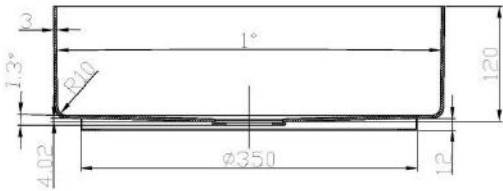


1. Stainless steel basin
2. Click-Clack pop-up waste

Tools required

- Safety Glasses
- Pencil
- Tape Measure
- Silicone/Gun
- Drill
- Adjustable Wrench
- Jigsaw

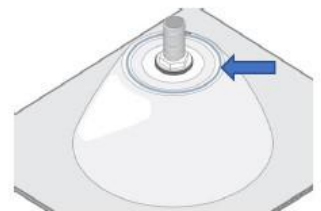
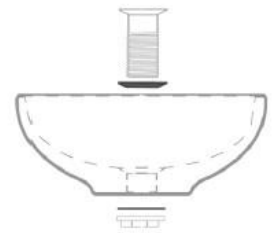
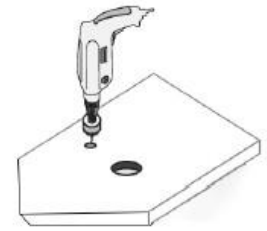
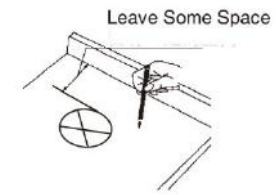
Dimensions



Installation

(If the basin is being installed onto an uncut top)

- Select the location of the basin on the top
- Allow enough space between the basin and mixer to the wall.
- Measure the diameter of the basin waste back nut and waste trap nut being used to determine the hole size required, then draw this onto the top for the hole to be drilled, if not pre-drilled.
- Drill a hole on the inside of the cutout mark to allow insertion of Jigsaw blade to cut the hole.
- Cut the opening in the countertop along the inside edge of the marked line.
- Drill the mixer installation hole accordingly to the mixer dimension if required.
- Apply silicone to any cut face and allow to dry to prevent moisture penetration
- Install the mixer to the top and the waste to the basin according to the manufacturers instructions.
- Apply sealant to the bottom edge of the basin.
- Carefully position the basin over the cutout, so the waste tail goes through the hole and press down firmly.
- Immediately wipe away any excess sealant, and fill any voids as needed.
- Verify that the basin has not moved out of position.
- Allow the sealant to dry before use.
- The connect the waste trap to the waste and water supply pipes to the mixer



Maintenance & Cleaning

The surface of your decorated product can be easily scratched.

Do not use bristle brushes, abrasive sponges or abrasive cleaners.

Keep the basin clean and dry by wiping with a soft cloth after use.

Do not allow cleaners to soak/dry onto the surfaces.

For more information

- visit betterbathrooms.com
- email customerservices@buyitdirect.co.uk
- call 03303903062
- write to Trident Business Park, Neptune Way, Huddersfield, HD2 1UA

better 
bathrooms

Part of the BuyItDirect Group