

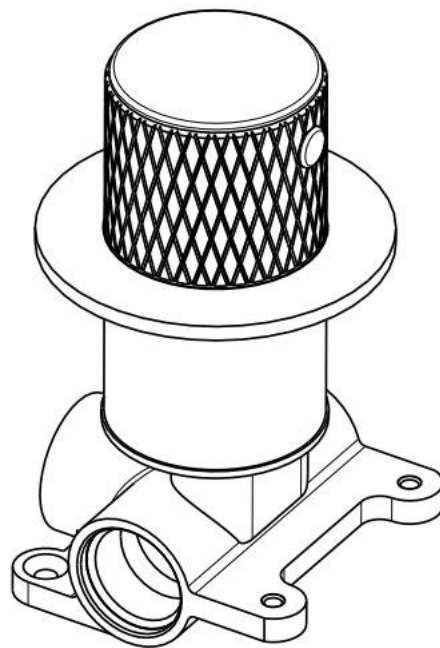
# USER MANUAL



Thank you for choosing Better Bathrooms.  
Please read this manual before installing your product  
and keep for future reference.

**better**   
**bathrooms**

## Zanda Single Outlet Shower Valve BeBa\_28232 / BeBa\_28233



- **Single-person assembly**
- **Tools required**
- **We always recommend using professional tradespeople to install your product**

# Congratulations on your purchase

*And welcome to our growing gang of savvy shoppers*

We're on a mission to bring you extraordinary bathroom products, for less. From modern to traditional style ceramics, plus the gorgeous fixtures, fittings and furniture to match. So, you can fall in love with your space every single day.

As one of the UK's largest independent bathroom stores, we've received countless awards; including the National Business Awards UK, the Digital Entrepreneur Awards and being placed on The Sunday Times Fast Track 100.

We hope your new product goes above and beyond your expectations. However, should any problems occur, please:

- log in to your account and contact our customer services team via your self-serve portal – [betterbathrooms.com/CustomerAccount/Login](https://betterbathrooms.com/CustomerAccount/Login)
- contact us via [betterbathrooms.com/content/contact-us](https://betterbathrooms.com/content/contact-us)

## Important information

- Please read these instructions thoroughly and retain for future reference

1.To avoid scratches and damage to kit surfaces, wear protective gloves when assembling/ installing the system.

2.Prior to installation, check the product for transport damage. Damage, even though it will not be visible,can significantly affect system performance after the installation.

3.System must be flushed prior to installation.

4. Technical Specifications:

Operating Pressure:

Min: 100kPa/1.0bar

Max: 500kPa/5.0bar

Optimum: 100kPa/1.0bar - 500kPa/5bar

Recommended installation of pressure limiting valve if supply exceeds 500kPa

Operating Temperature:

Hot: Max 80°C

Cold: Min 5°C

Hot and Cold Pressures must be balanced

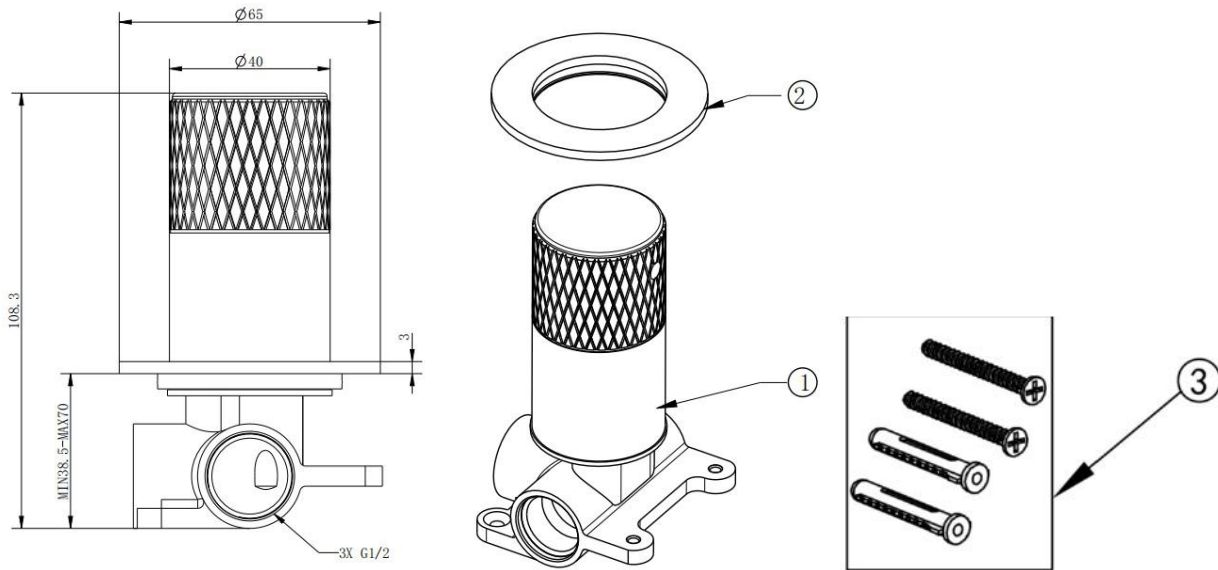
Inlet Connections:

All G $\frac{1}{2}$ "

NOTE:

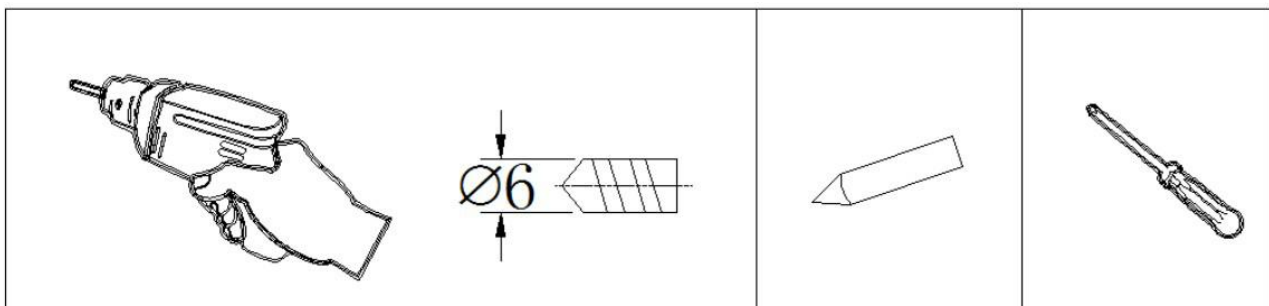
- After installation all connections must be checked for leaks.
- All installations must be carried out in compliance with relevant water regulations.

## Parts / Diagrams



3	ASBQ0050-XX	Wall plug and screw	2	
2	APTCT0513-P1	Plate	1	
1	AF-L3B133CP-1	Main body	1	
NO.	Part NO.	Part Name	QTY	Remark

## Tools required



Electric Drill

Pen

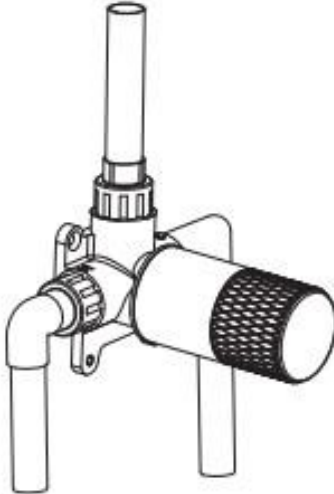
Screwdriver

# Installation

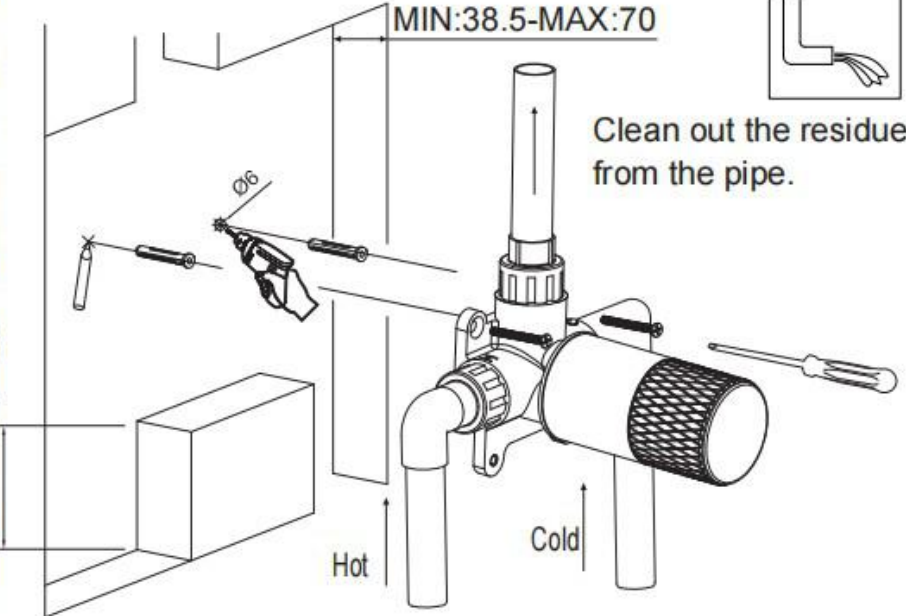
1.



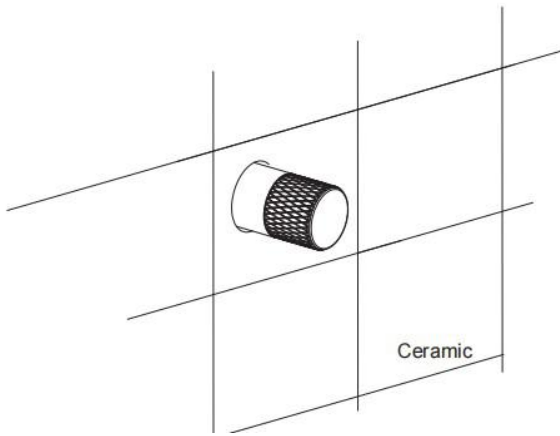
2.



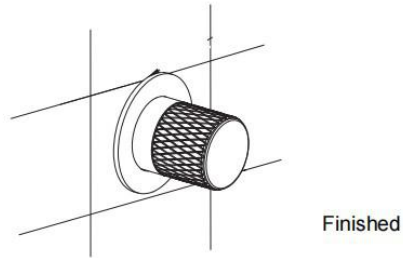
3.  
1000-1200MM (Suggested floor to mixer height)



4.



5.



## Maintenance and Cleaning

To clean all surface, use only a soft cloth(microfiber) and mild detergents (like soap) and then rinse thoroughly with clean water and dry with a soft cloth. Remove lime deposits using a mild dishwasher liquid.No abrasive chemicals or materials can be used on the product.

Regularly (at least once a quarter) clean, rinse and check the system, and if your water type differs from the standard parameters(such as pressure and hardness), adjust the frequency to the prevailing conditions, bearing in mind that the use of system under non-standard conditions decreases its useful life and the lack of maintenance and care drastically reduces it.

### ***For more information***

- visit [betterbathrooms.com](http://betterbathrooms.com)
- email [customerservices@buyitdirect.co.uk](mailto:customerservices@buyitdirect.co.uk)
- call 0330 390 3062
- write to Trident Business Park, Neptune Way, Huddersfield, HD2 1UA

**better**   
**bathrooms**

Part of the BuyItDirect Group