

LED INSTALLATION GUIDE



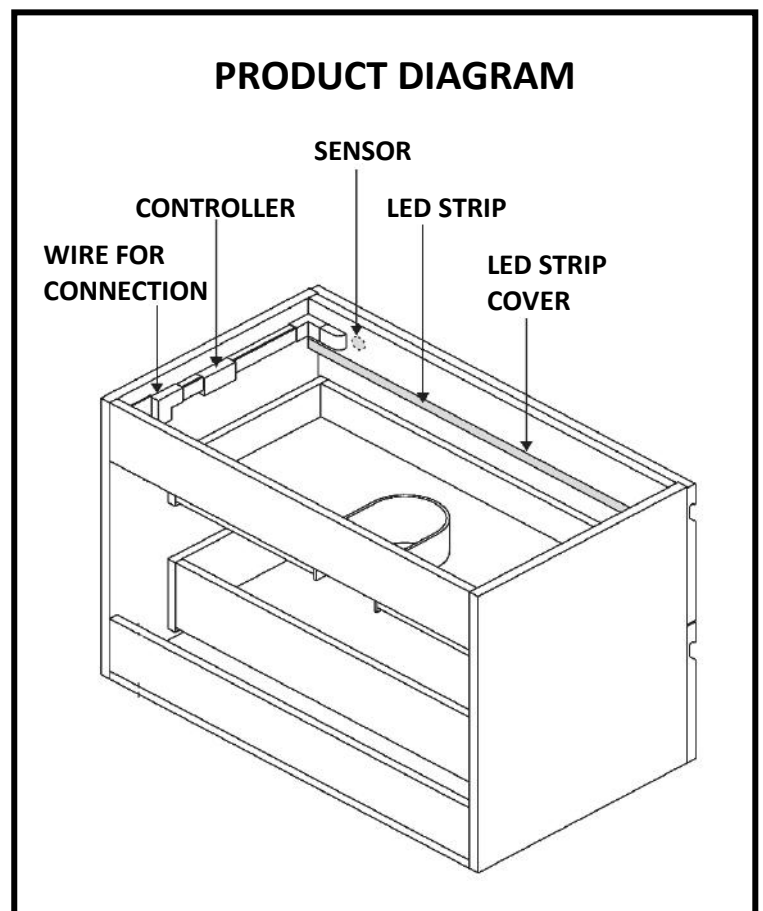
Thank you for choosing Better Bathrooms.
Please read this manual before installing your product
and keep for future reference.



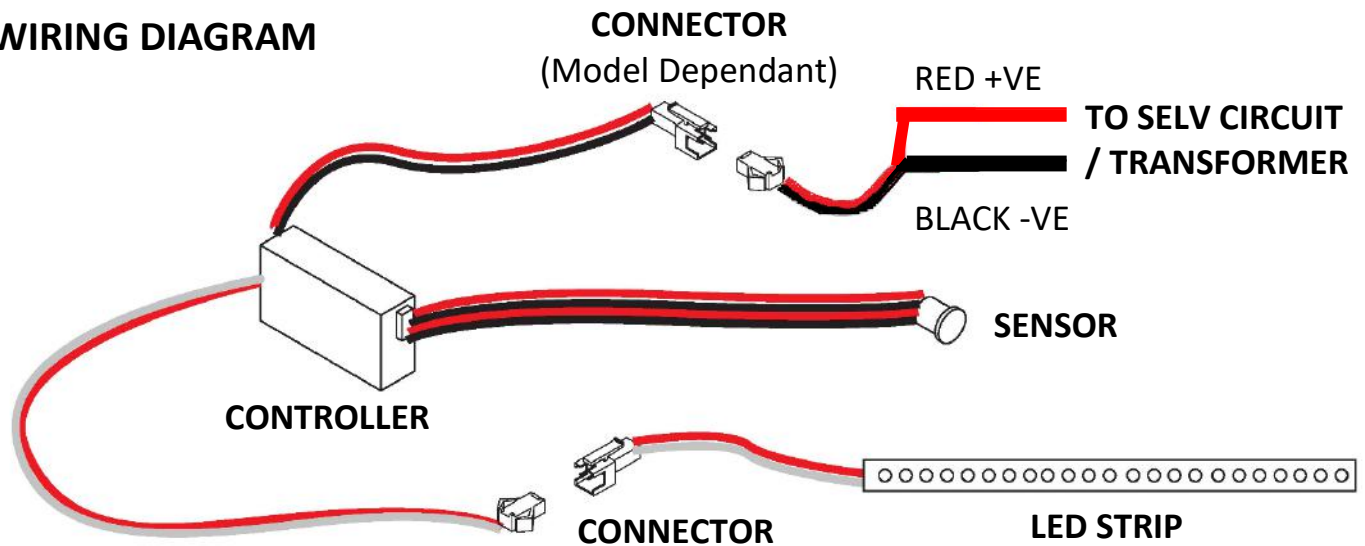
BOSTON LED FURNITURE

SAFETY

- This unit is only suitable for connection to a 12V SELV lighting circuit, or a separate SELV transformer (Not included).
- Ensure the SELV circuit / Transformer has sufficient capacity to add the unit.
- The unit should be installed in accordance with local regulations.
- If installing a new transformer to power the unit, all guidance relating to the installation of the transformer must be followed.
- This is for domestic, indoor use only.
- Ensure the power supply is turned off before attempting to connect the unit to the circuit.
- This product may contain delicate parts – be careful during handling and maintenance to avoid breakage.
- If any modification is made to the fitting it will invalidate the warranty and may render the product unsafe.
- A defective appliance may cause electric shock. Never switch on a defective appliance. Unplug the appliance from the mains or switch off at the circuit breaker in the fuse box before seeking assistance.
- The installer must use an electrical connector suitable for the application and environment.



WIRING DIAGRAM



TECHNICAL SPECIFICATION

Model	BeBa_17340	BeBa_17572	BeBa_17573	BeBa_17342	BeBa_17574	BeBa_17575
Dimensions WxDxH (CM)	60 x 46 x 50			90 x 46 x 50		
Number of Lighting circuits	1			1		
Power (W)	3.2			4.8		
Current (mA)	260			400		
Input	12V DC From SELV Transformer (Not Included)					

Model	BeBa_17344	BeBa_17576	BeBa_17577	BeBa_17345	BeBa_17578	BeBa_17579
Dimensions WxDxH (CM)	120 x 46 x 50			40 x 30 x 145		
Number of Lighting circuits	1			2		
Power (W)	6.0			6.4 per side, 12.8 Total		
Current (mA)	500			530 per side, 1060 Total		
Input	12V DC From SELV Transformer (Not Included)					

DISPOSAL

Recycling facilities are now available for all customers at which you can deposit your old electrical products. Customers will be able to take any old electrical equipment to participating sites run by their local councils. Please remember that this equipment will be further handled during the recycling process, so please be considerate when depositing your equipment. Please contact the local council for details of your local household waste recycling centres.



For more information

- visit betterbathrooms.com
- email customerservices@buyitdirect.co.uk
- call 0871 244 0935
- write to Trident Business Park, Neptune Way, Huddersfield, HD2 1UA

Better
Bathrooms.com

Part of the BuyItDirect Group