

USER MANUAL



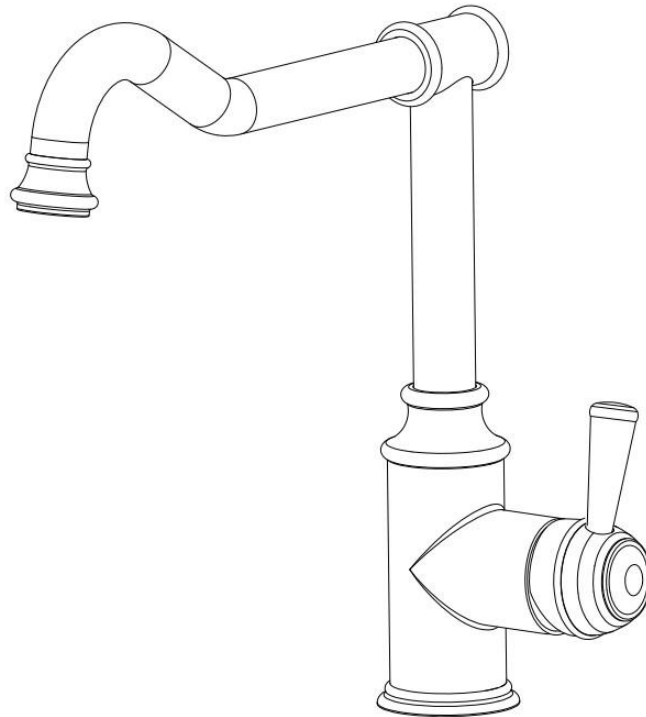
Thank you for choosing Better Bathrooms.
Please read this manual before installing your product
and keep for future reference.

better 
bathrooms

Product

EVESLCHSQ - Traditional Square Single Lever Chrome Kitchen Mixer Tap - Evelyn

EVESLBBSQ - Traditional Square Single Lever Brushed Brass Kitchen Mixer Tap - Evelyn



- **Single-person assembly**
- **Tools required**
- **We always recommend using professional tradespeople to install your product**

V4_17/05/2024

Congratulations on your purchase

And welcome to our growing gang of savvy shoppers

We're on a mission to bring you extraordinary bathroom products, for less. From modern to traditional style ceramics, plus the gorgeous fixtures, fittings and furniture to match. So, you can fall in love with your space every single day.

As one of the UK's largest independent bathroom stores, we've received countless awards; including the National Business Awards UK, the Digital Entrepreneur Awards and being placed on The Sunday Times Fast Track 100.

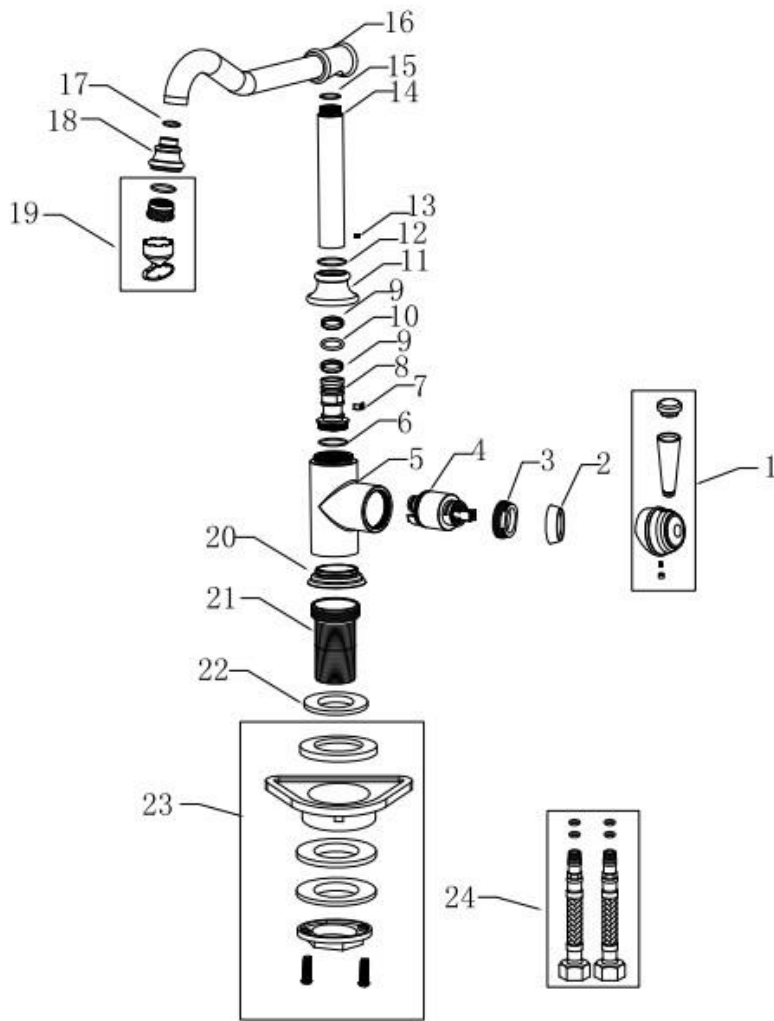
We hope your new product goes above and beyond your expectations. However, should any problems occur, please:

- log in to your account and contact our customer services team via your self-serve portal – betterbathrooms.com/CustomerAccount/Login
- contact us via betterbathrooms.com/content/contact-us

Important information

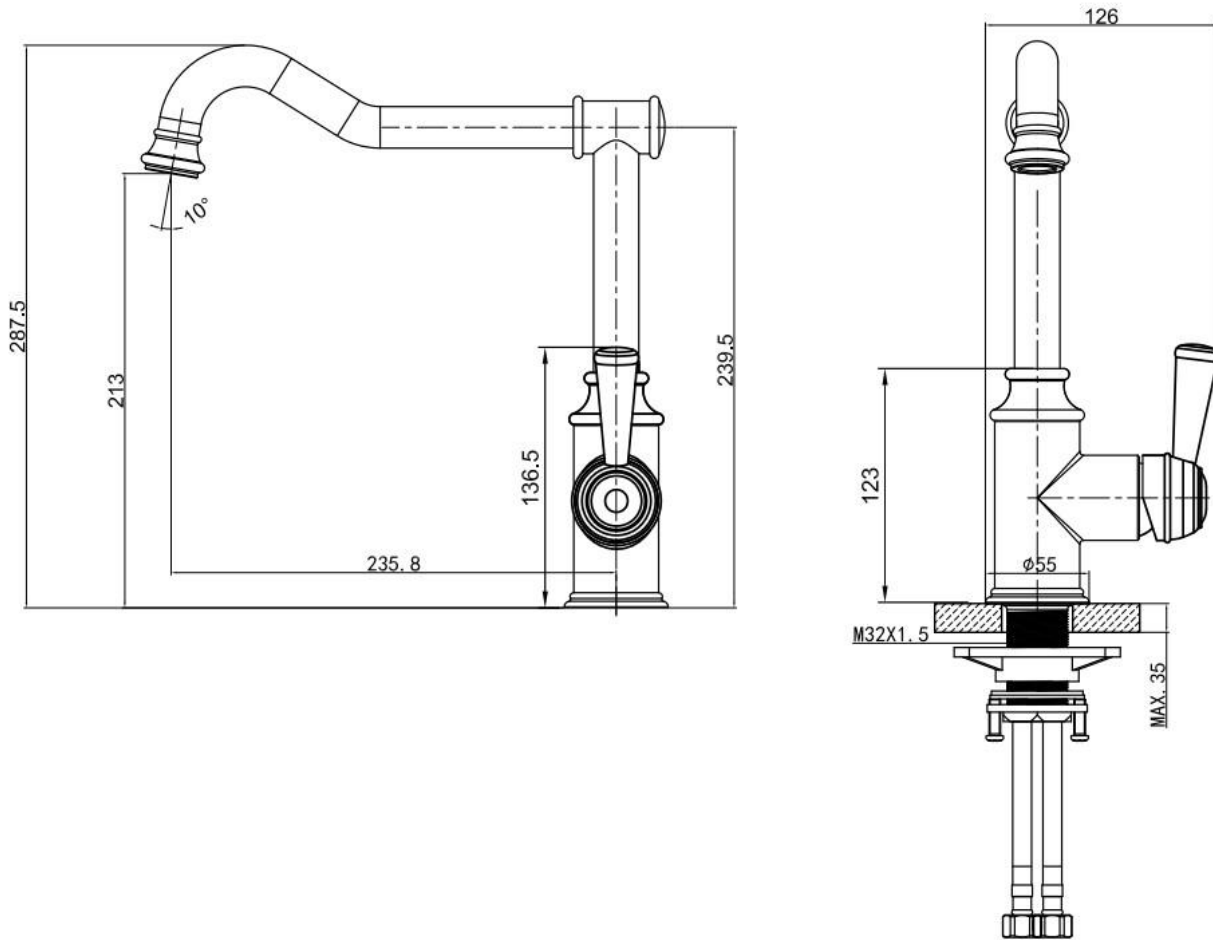
- Please read these instructions thoroughly and retain for future reference
- Installation must be carried out in compliance with The Water Fittings Regulations and Scottish Water Byelaws.
- The system must be flushed prior to installation
- Minimum and Maximum working pressure : 0.5 - 5 bar
- Pressures must be equal for optimum performance
- Please do not connect hot and cold water supply lines in reverse. This could result in hot water flowing from cold line and cause scalding.
- The feed-water temperature of water shall not exceed 85°C.
Exceeding 85° may cause scalding, the service life of faucets might be shortened, or the faucet might be damaged.
- After installation, please make sure the faucet is securely mounted and checked for leaks.

Parts / Diagrams



No	Description
1	Handle assembled
2	Dome
3	Locknut
4	Cartridge
5	Body
6	O-ring
7	Screw
8	Connector
9	Plastic ring
10	O-ring
11	Decorative locknut
12	O-ring
13	Screw
14	Spout
15	O-ring
16	Spout
17	O-ring
18	Aerator housing
19	Aerator set
20	Base
21	Leg
22	Washer
23	Fixing kit
24	Flexible hose

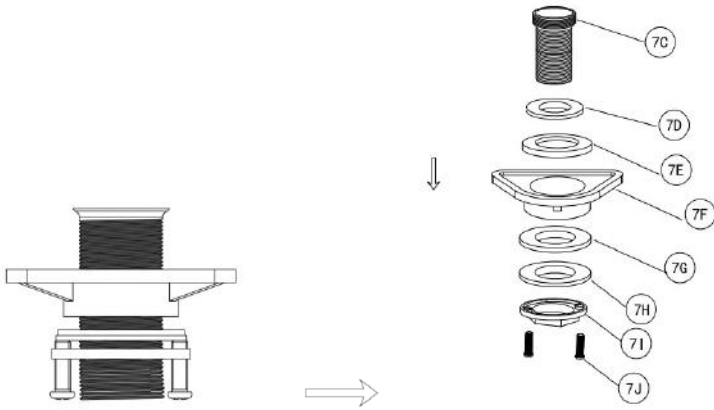
Dimensions



Tools required

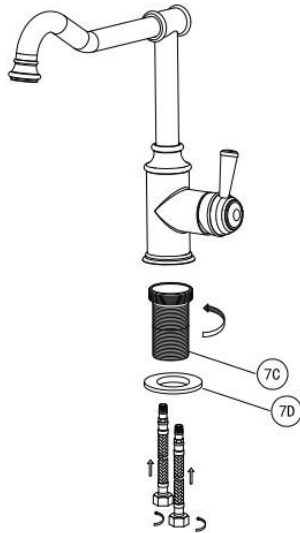
- Screwdriver
- Wrench

Installation



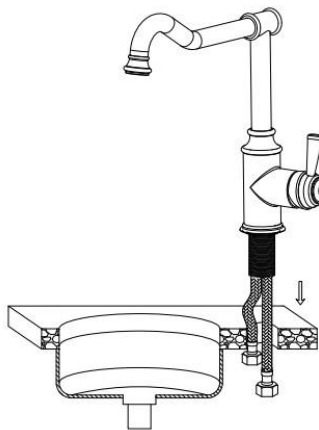
Remove the Screws(7J), Locknut(7I), Metal gasket(7H), Rubber Gasket(7G), Mounting seat(7F), Rubber Washer(7E) from the mixer body (7A).

Please keep the rubber washer (7D) on the leg(7C).



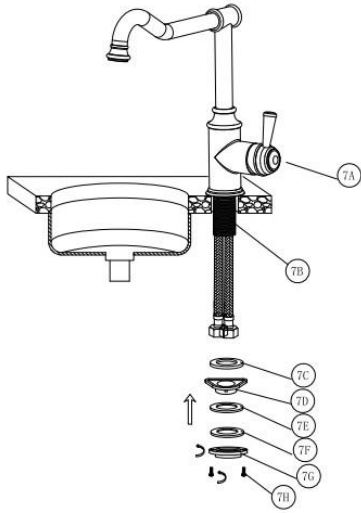
Install the leg(7C), washer(7D) and the flexible hoses with inlets in the body. These should be hand tightened, do not use a spanner as this can damage the O – ring.

Ensure the washer(7D) is fitted between the base and sink/top.



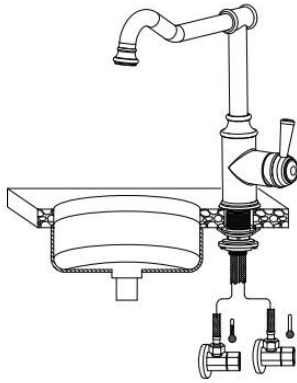
From above sink, push the inlet hoses through the hole on sink and position correctly.

Do not allow the hoses to be kinked or twisted



From underneath sink, secure mixer body by placing Rubber Washer(7C), Mounting seat(7D), Rubber gasket(7E), Metal gasket(7F), Locknut(7G) and Screws(7H) onto the leg, followed by fixing locknut and screws.

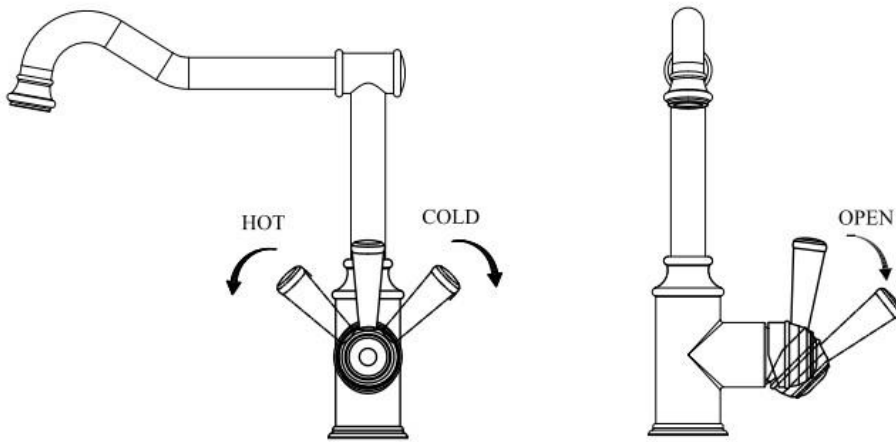
Tighten the locknut and screws by screwdriver until mixer is secure, do not overtighten as this could damage the sink.



Connect the hot and cold flexible hoses to the isolation valves (not included), hot on the left, cold on the right.

Turn on water supply and check for leaks.


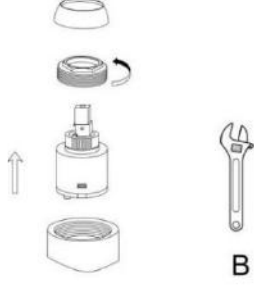
Operation



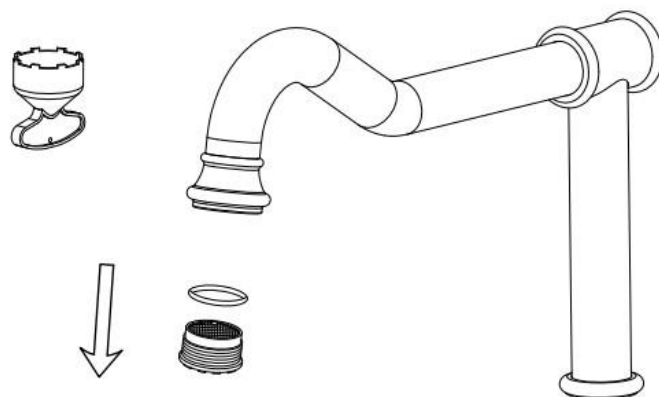
Troubleshooting

Issues	Inspection Item
Poor water flow	<ul style="list-style-type: none"> • Is there blockage within the filter mesh on aerator(19) • Is the flexible hose(24) kinked or twisted • Was the system flushed prior to installation • Is the mixer cartridge(4) free from debris
Water leak	<ul style="list-style-type: none"> • Is there damage or dirt within the O-rings of the cartridge(4) • Is there damage or dirt with the O-rings in the of aerator(19) • Is the locknut(3) on top of cartridge fully tightened • Is there damage within the rubber washer inside the nuts of flexible hoses(24) • Is there damage with the O-rings on the flexible hoses(24)
Handle loose	<ul style="list-style-type: none"> • Is the screw inside the handle(1) fully tightened • Is the locknut(3) on top of cartridge fully tightened
Body loose	<ul style="list-style-type: none"> • Is the fixing kit(23) underneath fully tightened

Maintenance

Replacement of Cartridge		
		<p>A: Remove cap and screw by using allen key. Take out the handle.</p> <p>B: Remove the Cap, locknut(by using wrench), cartridge from the body accordingly.</p> <p>Install a new cartridge in reverse steps.</p>

Replacement of Aerator



Cleaning

To maintain the surface of your product, wipe with a clean damp cloth and wipe dry, do not use any abrasive cleaning agents or materials. If any harsh chemicals come into contact with the surface of the product, rinse and wipe clean immediately.

For more information

- visit betterbathrooms.com
- email customerservices@buyitdirect.co.uk
- call 03303903062
- write to Trident Business Park, Neptune Way, Huddersfield, HD2 1UA

**better
bathrooms**

Part of the BuyItDirect Group