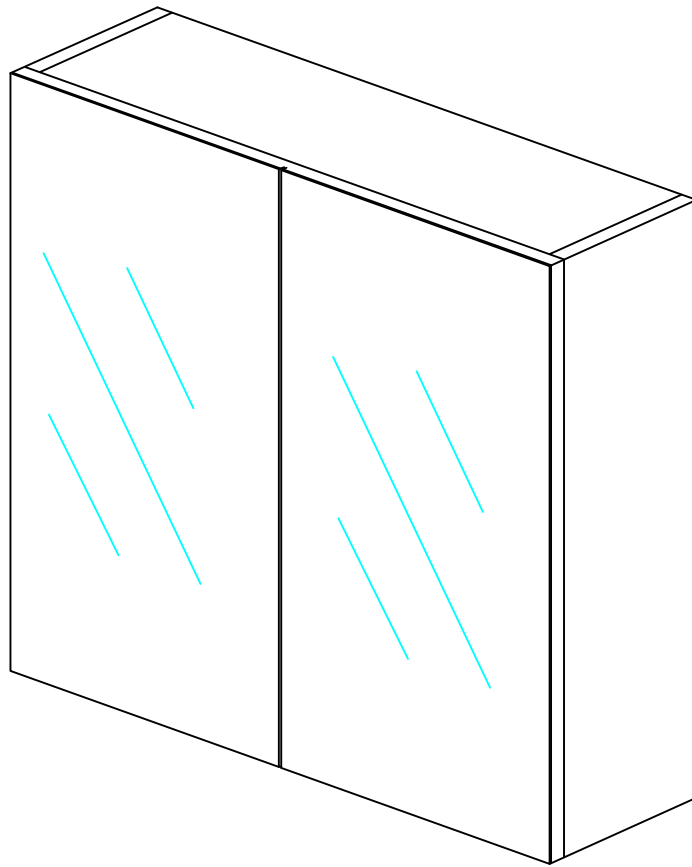


Installation Manual



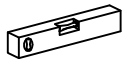
Apply for following models:

BeBa_25987/BeBa_25988

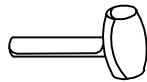
Please keep these instructions for future reference.



Tools required for installations (Tools not provided)



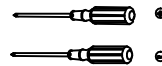
Spirit Level



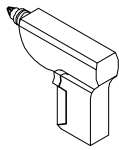
hammer



Pencil



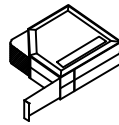
screw driver



electric driver




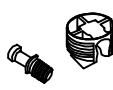
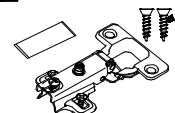


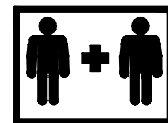
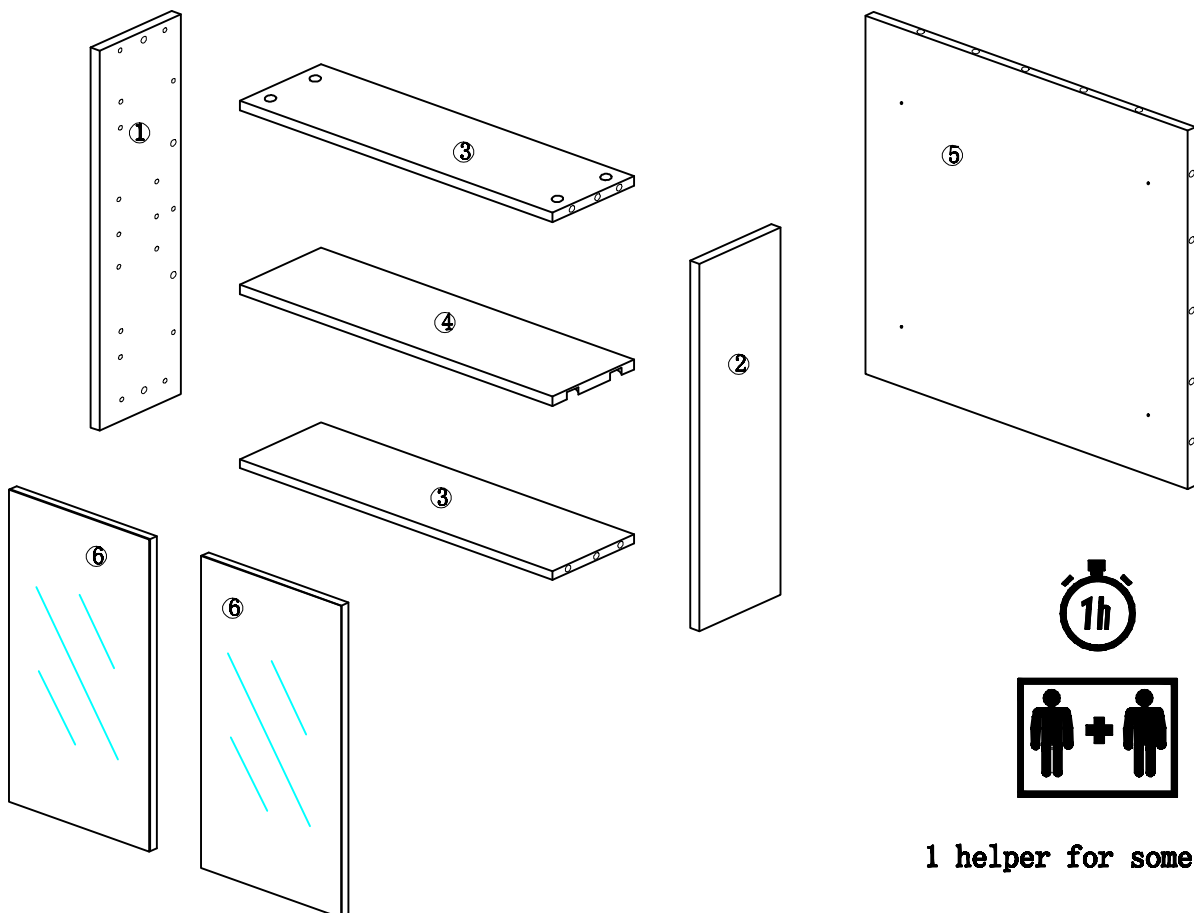
drill bit



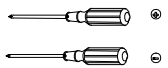
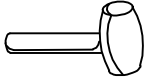

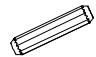

tape

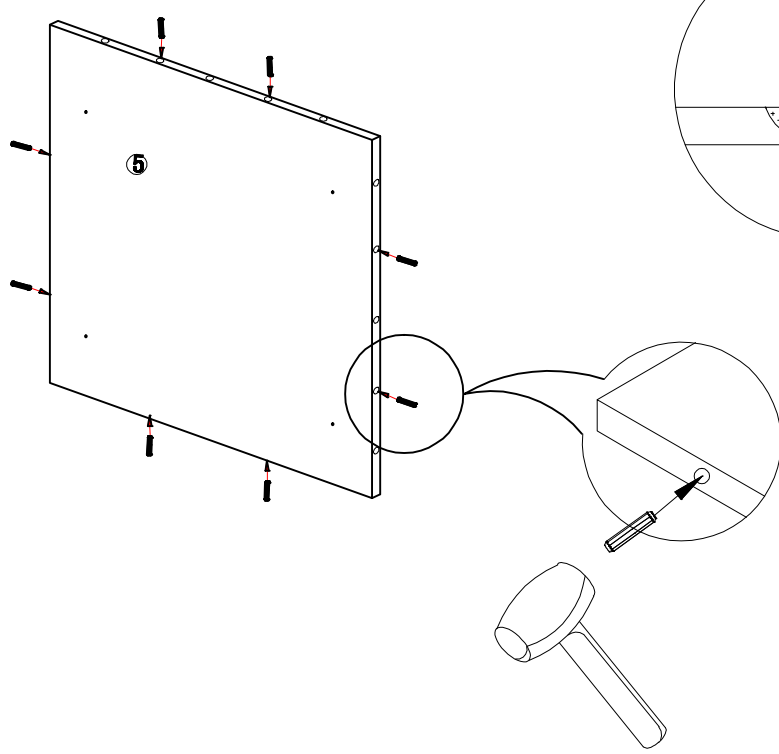
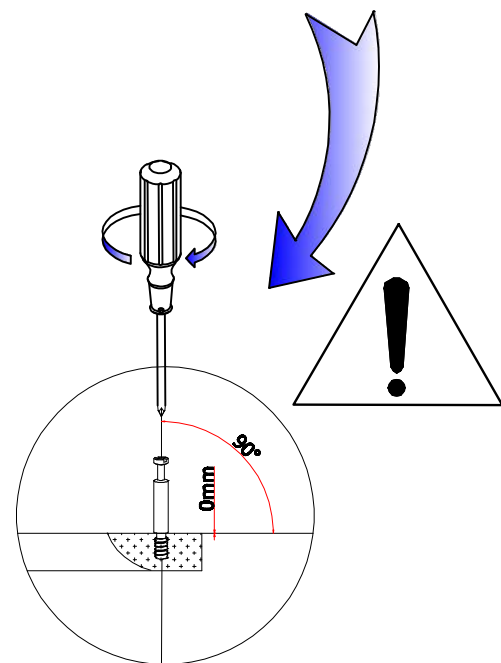
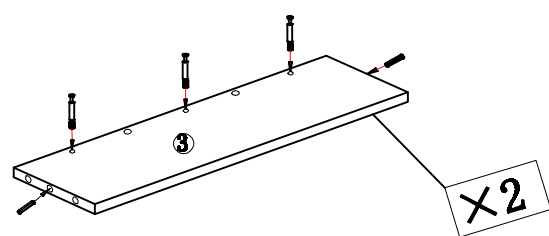
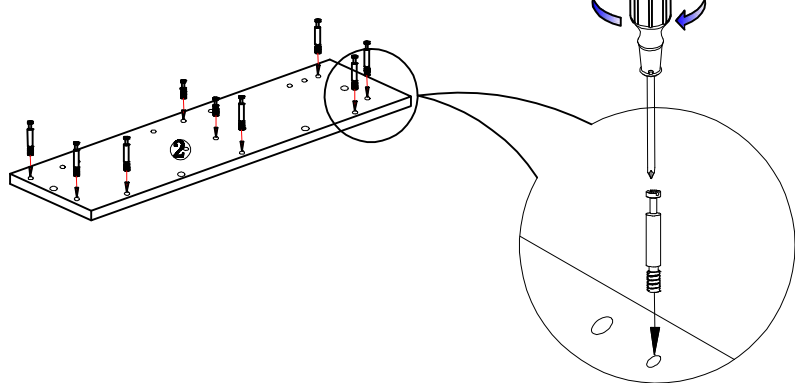
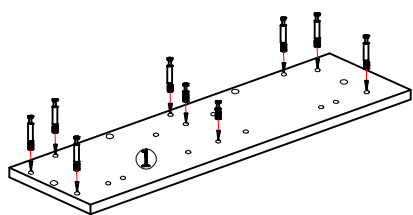
Package in carton box

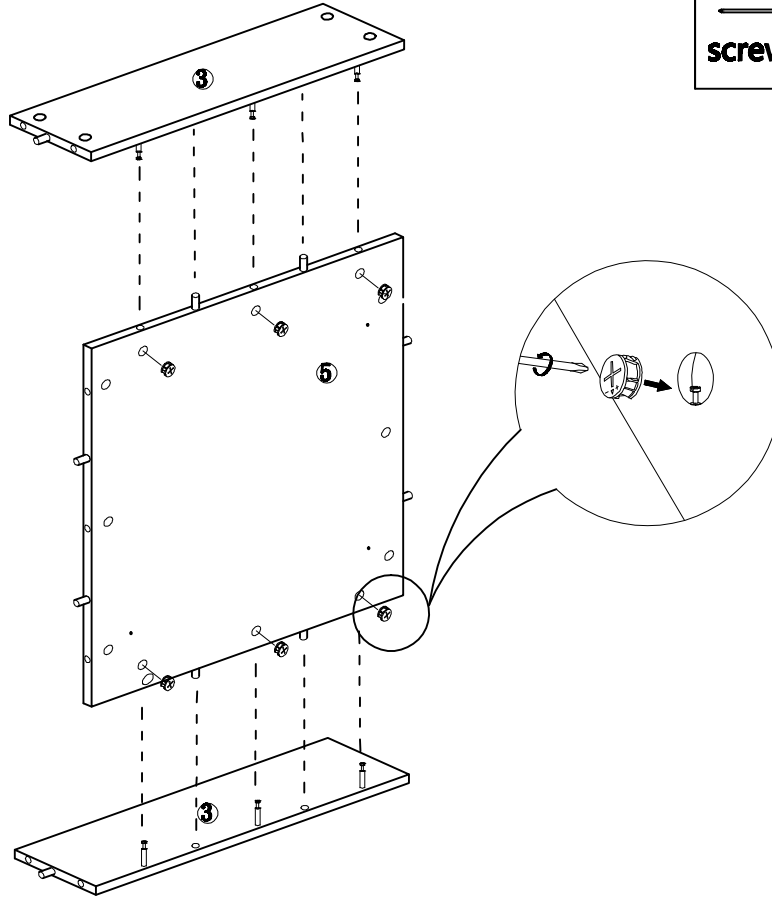
A	B	C	D	E
 Cam screw(20pcs)	 Wood dowel(12pcs)	 Cam lock(20pcs)	 shelf support(4pcs)	 Hinge(4pcs)



1 helper for some tasks

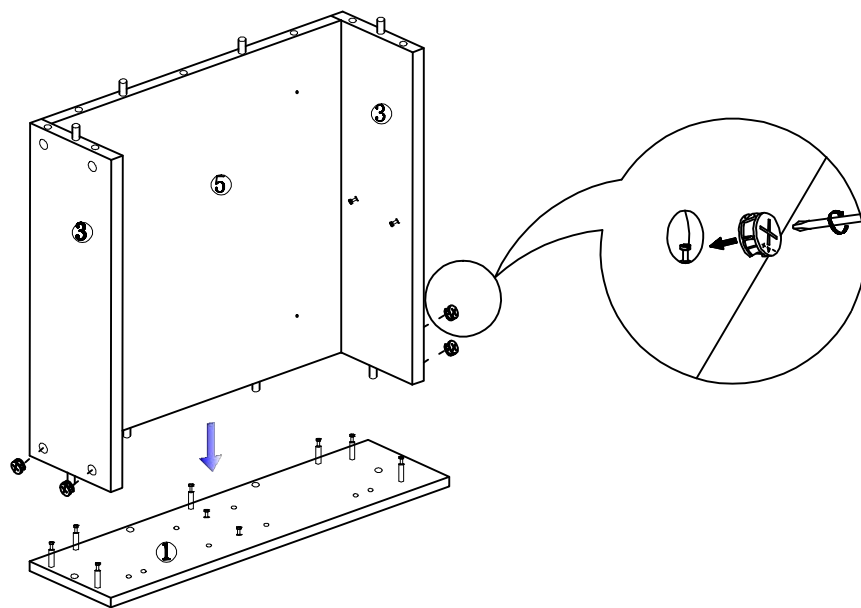
 screw driver	 hammer	A $\phi 7 \times 38 \text{mm}$  Cam screw(20pcs)	B $\phi 8 \times 30 \text{mm}$  Wood dowel(12pcs)	D  shelf support(4pcs)
--------------------------------------------------------------------------------------------------	--------------------------------------------------------------------------------------------	------------------------------------------------------------------------------------------------------------------------------------------------	---------------------------------------------------------------------------------------------------------------------------------------------------	------------------------------------------------------------------------------------------------------------------------





screw driver

C $\phi 15 \times 11 \text{mm}$
Cam lock(6pcs)

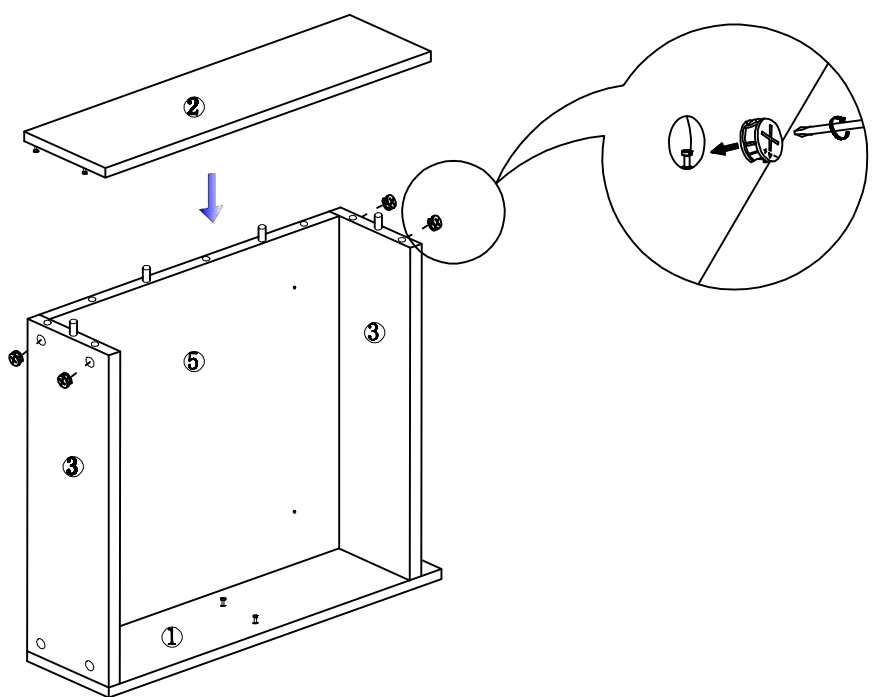


screw driver

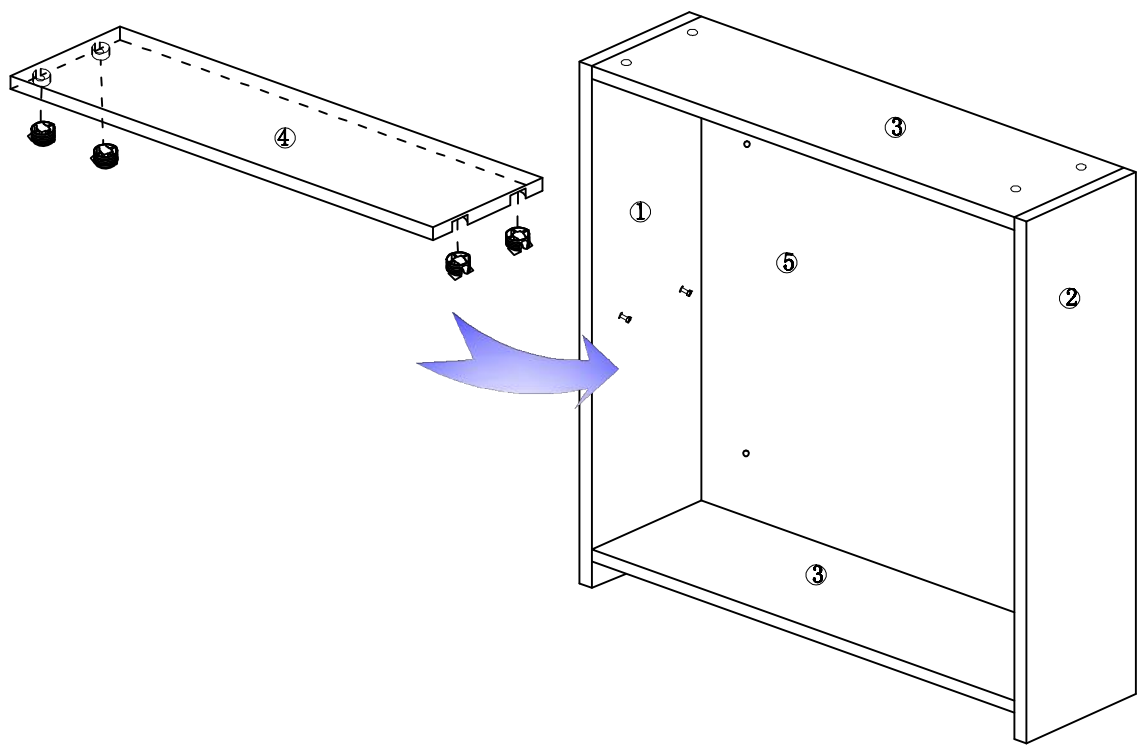
C $\phi 15 \times 11 \text{mm}$
Cam lock(7pcs)

screw driver

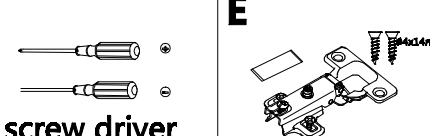
C $\varnothing 15 \times 11 \text{mm}$
Cam lock (7 pcs)



D
shelf support (4 pcs)

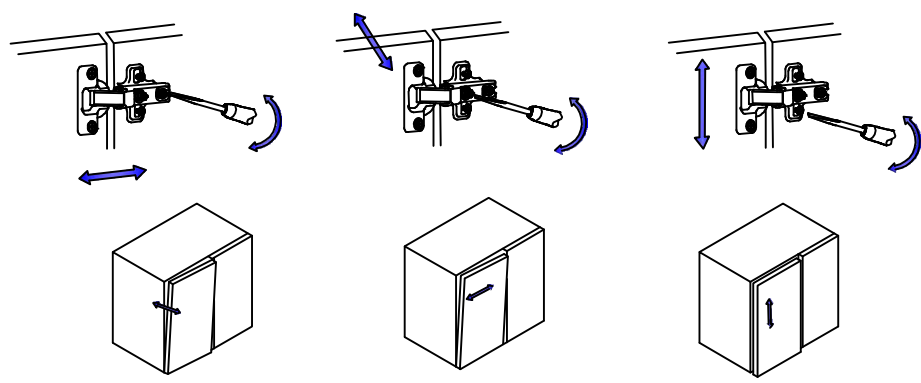
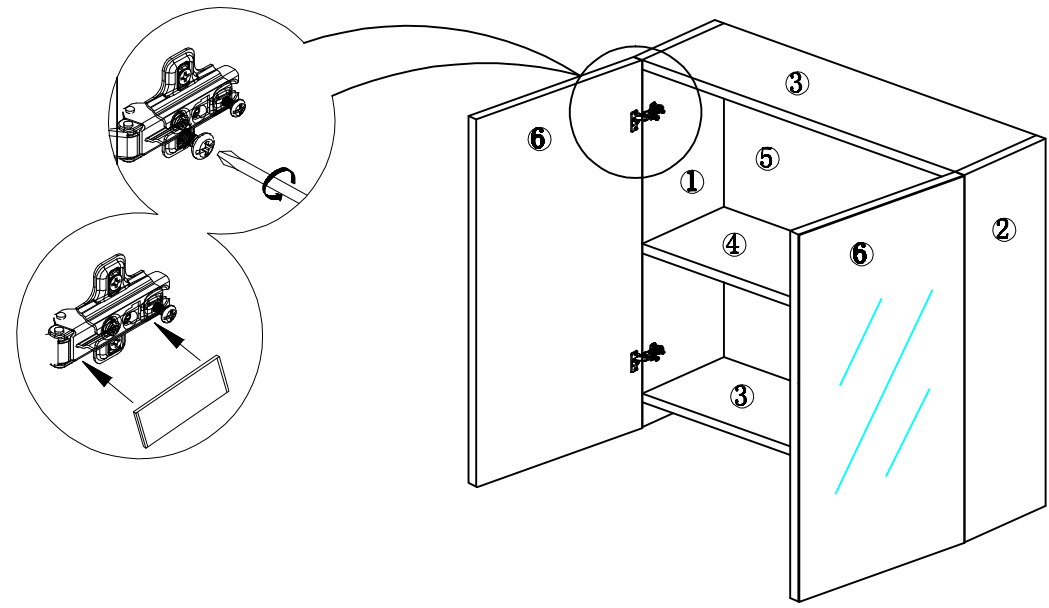
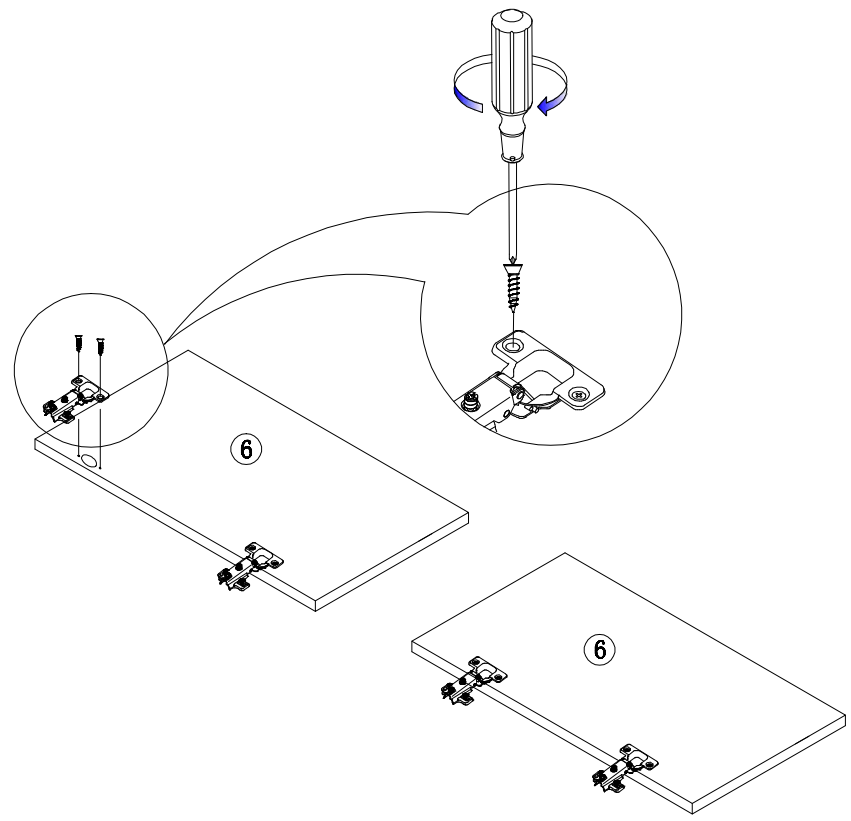


E



screw driver

Hinge(4pcs)

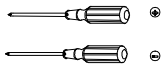




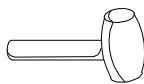
electric driver



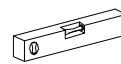
drill bit



screw driver



hammer



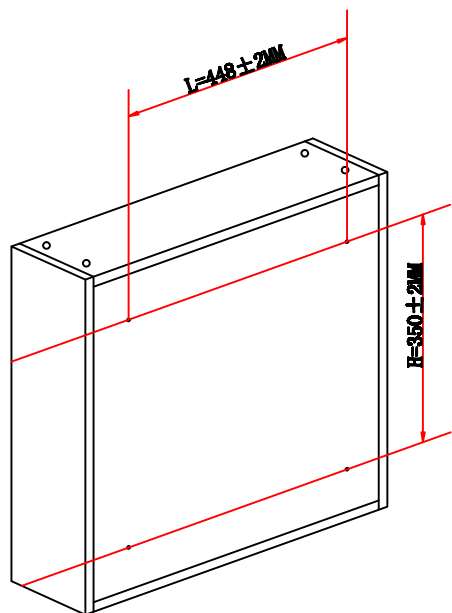
Spirit Level



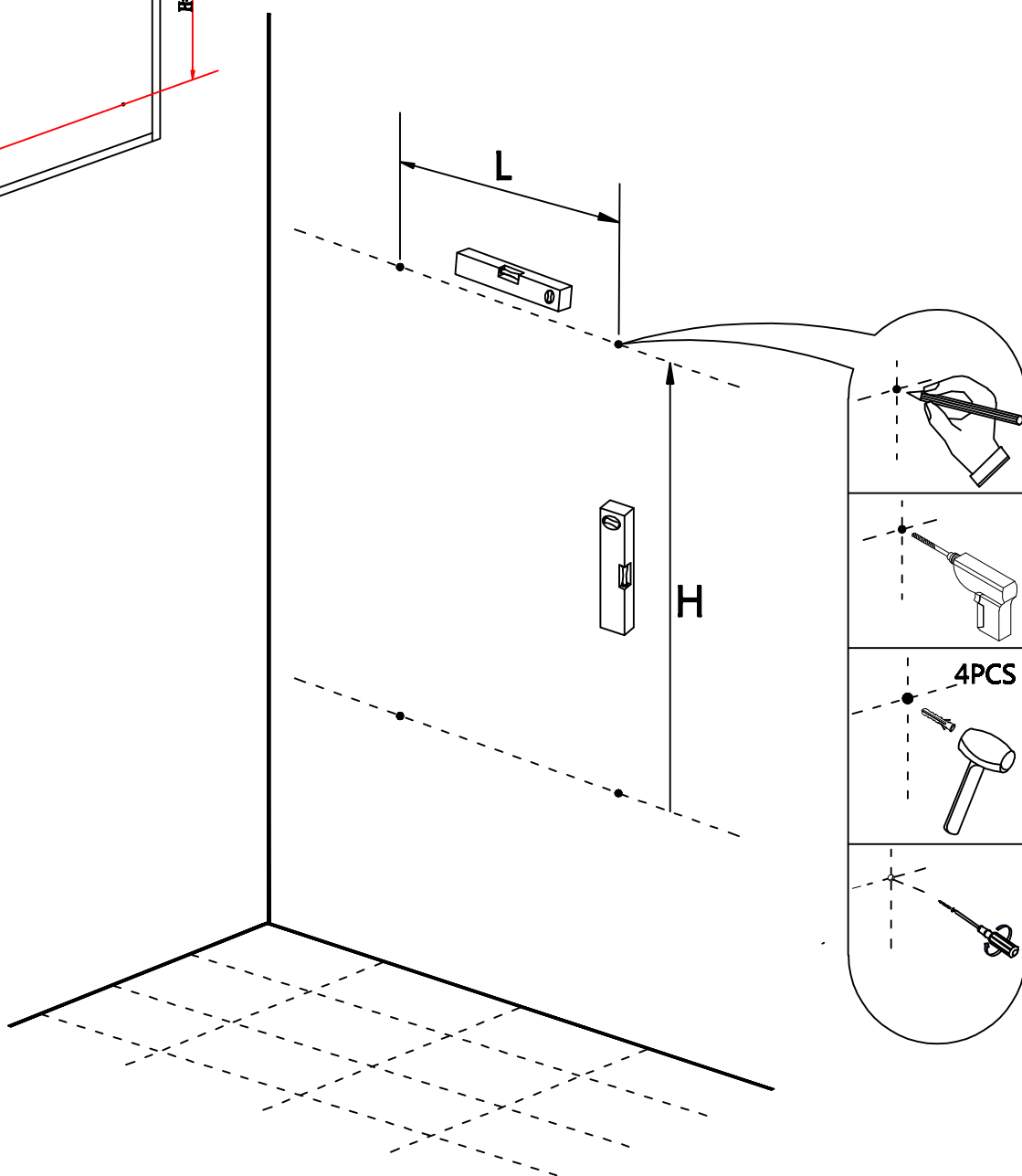
Pencil

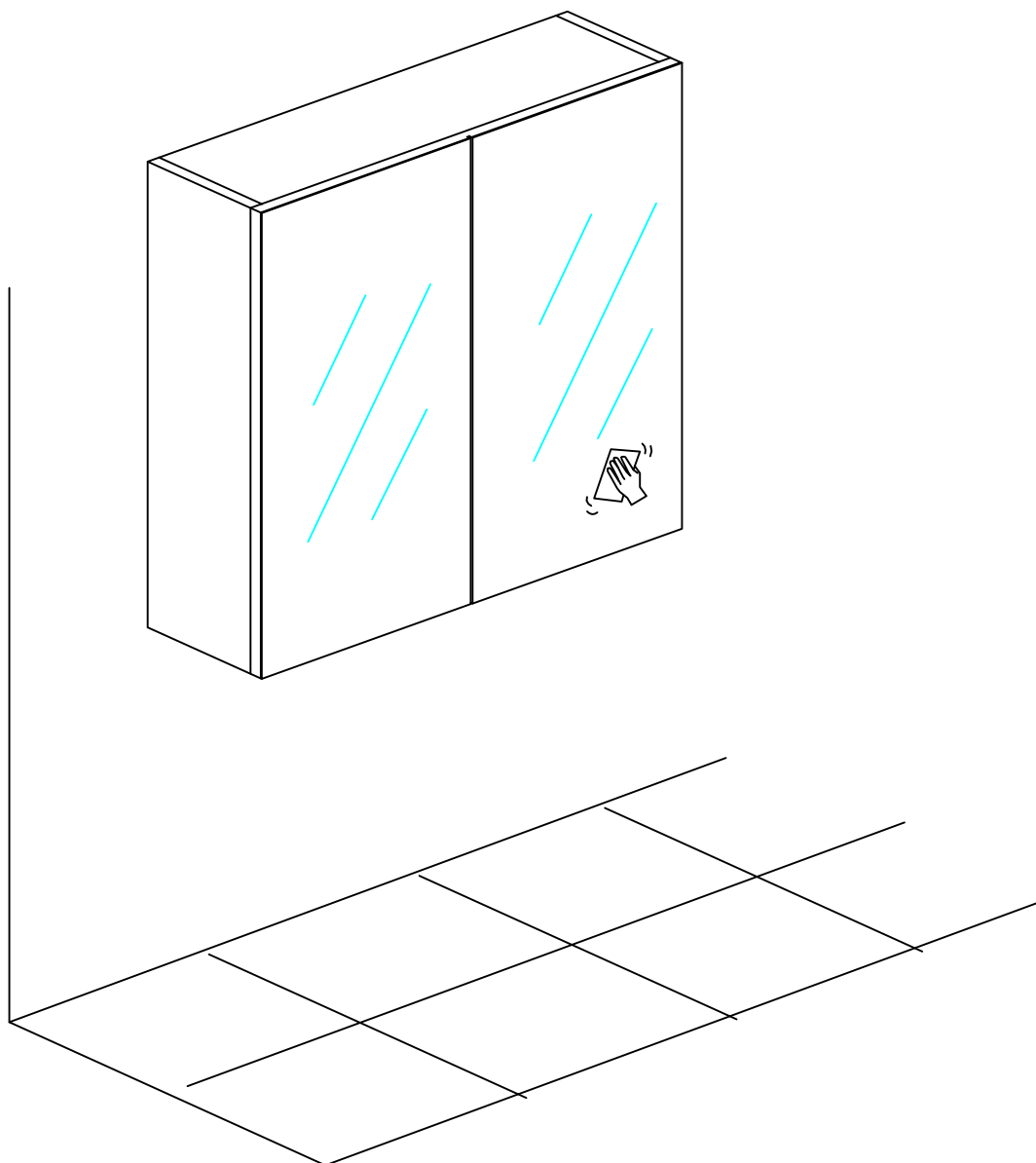


tape



Please note - wall fixings are not supplied, These can be purchased from a local DIY store





Important information Read carefully.Keep this information for further reference.

Serious or fatal crushing injuries can occur from furniture tip-over.To prevent this furniture from tipping over it must be permanently fixed to the wall.

Fixing devices for the wall are not included since different wall materials require different types of fixing devices .

Use fixing devices suitable for the walls in your home.For advice on suitable fixing systems,contact your local dealer.

